

FIRE PROTECTION PRODUCTS



Company Profile

GALA - Extends Business on a Global Perspective.

GALA company offers a wide range of products and systems in the field of valves, piping, and seismic isolation for applications ranging from equipment for office buildings, fire fighting, heating, water works, sewerage, marine, industrial to top fluid control. Our aim is meaningful contribution to society by providing comfort and safety through our products, technical skills and services!

GALA - Professional Manufacturer of Industrial Valves

GALA have variety products to meet customer demand of different valve. Designing, manufacture and sale of one-stop service is the company's core strengths.

GALA products cover the following industry area:

Water supply system, water treatment, food, chemical, cement, air-conditioning systems, industry engineering, nuclear power, papermaking, Petrochemical Industry, pharmaceutical, Powder Industry, steel industry, sugar refining, textiles and so on. GALA anti-pollution environmental protection industry is one of the major business. GALA provides various valve for wastewater processing and exhaust gas processing.

GALA have wide variety of industrial valves, including following main products:

- ◆ Fire Protection Valve
- ◆ Balancing Valve
- ◆ Butterfly Valve
- ◆ Gate Valve, Globe Valve, Check Valve, Ball Valve
- ◆ Strainer
- ◆ Flexible Rubber Joint
- ◆ Flexible Stainless Steel Hose, Expansion Joint

Other Valves and fittings are also available from GALA.

All products will be designed, manufactured and assembly by GALA.



CONTENTS

Gate Valve

388FF Resilient Seated NRS Type-Flanged Ends	1
G388 Indicator Post - Underground Type	2
W388 Indicator Post - Wall Type	3
399FF Resilient Seated OS&Y Type-Flanged Ends	4
388FG Resilient Seated NRS Type- Flange-Groove Ends	5
388GG Resilient Seated NRS Type-Groove-Groove Ends	6
399FG Resilient Seated OS&Y Type-Flange-Groove Ends	7
399GG Resilient Seated OS&Y Type-Groove-Groove Ends	8
322FF Resilient Seated NRS Type-Flanged Ends	9
G322 Indicator Post - Underground Type	11
322FG Resilient Seated NRS Type-Flange-Groove Ends	12
322GG Resilient Seated NRS Type-Groove-Groove Ends	13
322JJ Resilient Seated NRS Type-MJ-MJ Ends	14
322FJ Resilient Seated NRS Type-Flanged-MJ Ends	15
333FF Resilient Seated OS&Y Type-Flanged Ends	16
333FG Resilient Seated OS&Y Type-Flange-Groove Ends	18
333GG Resilient Seated OS&Y Type-Groove-Groove Ends	19
333JJ Resilient Seated OS&Y Type-MJ-MJ Ends	20
333FJ Resilient Seated OS&Y Type-Flanged-MJ Ends	21
Pressure-Temperature Chart	22

Swing Check Valve

50FF Resilient Seated Flanged Ends	23
55FF Resilient Seated Flanged Ends	24
50GG Resilient Seated Grooved Ends	25
50W Resilient Seated Wafer Ends	26
Pressure-Temperature Chart	27

Y Strainer

70FF Flanged Ends	28
70FG Flange-Groove Ends	29
70GG Groove-Groove Ends	30
Pressure-Temperature Chart	31

Butterfly Valve

20GG Resilient Seated Grooved Ends	32
25W Resilient Seated Wafer Ends	33
25L Resilient Seated Lug Ends	34
25GG Resilient Seated Grooved Ends	35

Air Vent Valve

9712 Air Release Valve	36
------------------------	----

Supervisory Switch

OSYSU-1/2 POTTER Brand	37
------------------------	----

Certificate

CERTIFICATE OF COMPLIANCE

Certificate Number: 20131204-EX16447
Report Reference: EX16447-2013122
Issue Date: 2013-05-02

Issued to: GALA RS INC
SUITE 201
11200 WESTHEIMER RD
HOUSTON, TX 77042 USA

This is to certify that representative samples of: **Butterfly Valves**
20GG-300 and 20GG-300C

Have been investigated by UL in accordance with the Standard(s) indicated on this Certificate.

Standards for Safety: UL 1091, Butterfly Valves for Fire-Protection Service
Additional Information: See the UL Online Certifications Directory at www.ul.com/certificates for additional information.

Only those products bearing the UL Listing Mark should be considered as being covered by UL's Listing and Follow-Up Service.
The UL Listing Mark generally includes the following elements: the symbol UL in a circle, with the word "LISTED" or a control number (may be abbreviated) assigned by UL, and the product category name (product identifier) as indicated in the appropriate UL Directory.
Look for the UL Listing Mark on the product.

Richard B. Dunne
Group Manager - Fire Protection
FM Approvals
1151 Boston-Providence Turnpike
Norwood, MA 02062

Page 1 of 1

CERTIFICATE OF COMPLIANCE

Certificate Number: 20130703-EX16373
Report Reference: EX16373-20130701
Issue Date: 2013-04-17

Issued to: GALA RS INC
SUITE 201, 11200 WESTHEIMER RD
HOUSTON, TX 77042, US

This is to certify that representative samples of: **Gate Valves**
Resilient Seated Gate Valves - 388FF-200, 388GG-300, 388FC-300, 388FF-250, 388GG-250, 388FC-250, 388FF-200, 388GG-200, 388FC-200, 388FF-200, 388GG-200, 388FC-200, 388FF-200, 388GG-200, 388FC-200, 388FF-200, 388GG-200, 388FC-200.

Have been investigated by UL in accordance with the Standard(s) indicated on this Certificate.

Standards for Safety: Standard for Gate Valves for Fire-Protection Service - UL 292
Additional Information: See the UL Online Certifications Directory at www.ul.com/certificates for additional information.

Only those products bearing the UL Listing Mark should be considered as being covered by UL's Listing and Follow-Up Service.
The UL Listing Mark generally includes the following elements: the symbol UL in a circle, with the word "LISTED" or a control number (may be abbreviated) assigned by UL, and the product category name (product identifier) as indicated in the appropriate UL Directory.
Look for the UL Listing Mark on the product.

Richard B. Dunne
Group Manager - Fire Protection
FM Approvals
1151 Boston-Providence Turnpike
Norwood, MA 02062

Page 1 of 1

CERTIFICATE OF COMPLIANCE

Certificate Number: 20130703-EX16376
Report Reference: EX16376-20130702
Issue Date: 2013-04-09

Issued to: GALA RS INC
SUITE 201, 11200 WESTHEIMER RD
HOUSTON, TX, 77042, US

This is to certify that representative samples of: **Indicator Posts, Gate Valve**
Underground type, adjustable length - G388,
Wall type - W388

Have been investigated by UL in accordance with the Standard(s) indicated on this Certificate.

Standards for Safety: Standard for Indicator Posts for Fire-Protection Service - UL 789
Additional Information: See the UL Online Certifications Directory at www.ul.com/certificates for additional information.

Only those products bearing the UL Listing Mark should be considered as being covered by UL's Listing and Follow-Up Service.
The UL Listing Mark generally includes the following elements: the symbol UL in a circle, with the word "LISTED" or a control number (may be abbreviated) assigned by UL, and the product category name (product identifier) as indicated in the appropriate UL Directory.
Look for the UL Listing Mark on the product.

Richard B. Dunne
Group Manager - Fire Protection
FM Approvals
1151 Boston-Providence Turnpike
Norwood, MA 02062

Page 1 of 1

CERTIFICATE OF COMPLIANCE

Certificate Number: 20130704-EX16374
Report Reference: EX16374-20130701
Issue Date: 2013-JULY-04

Issued to: GALA RS INC
SUITE 201, 11200 WESTHEIMER RD
HOUSTON, TX 77042, US

This is to certify that representative samples of: **Check Valves**
Swing-type check valve - 50FF-300, 50FF-250, 50FF-200

Have been investigated by UL in accordance with the Standard(s) indicated on this Certificate.

Standards for Safety: Check Valves for Fire-Protection Service - UL 312
Additional Information: See the UL Online Certifications Directory at www.ul.com/certificates for additional information.

Only those products bearing the UL Listing Mark should be considered as being covered by UL's Listing and Follow-Up Service.
The UL Listing Mark generally includes the following elements: the symbol UL in a circle, with the word "LISTED" or a control number (may be abbreviated) assigned by UL, and the product category name (product identifier) as indicated in the appropriate UL Directory.
Look for the UL Listing Mark on the product.

Richard B. Dunne
Group Manager - Fire Protection
FM Approvals
1151 Boston-Providence Turnpike
Norwood, MA 02062

Page 1 of 1

CERTIFICATE OF COMPLIANCE

Certificate Number: 20130703-EX16375
Report Reference: EX16375-20130701
Issue Date: 2013-JULY-03

Issued to: GALA RS INC
SUITE 201
11200 WESTHEIMER RD
HOUSTON, TX 77042, US

This is to certify that representative samples of: **STRAINERS, PIPELINE**
Strainers, basket type - 70FF-300, 70FG-300, 70GG-300,
70FF-250, 70FG-250, 70GG-250, 70FF-200, 70FG-200,
70GG-200

Have been investigated by UL in accordance with the Standard(s) indicated on this Certificate.

Standards for Safety: UL Subject 321 - Outline of Investigation for Pipeline Strainers
Additional Information: See the UL Online Certifications Directory at www.ul.com/certificates for additional information.

Only those products bearing the UL Listing Mark should be considered as being covered by UL's Listing and Follow-Up Service.
The UL Listing Mark generally includes the following elements: the symbol UL in a circle, with the word "LISTED" or a control number (may be abbreviated) assigned by UL, and the product category name (product identifier) as indicated in the appropriate UL Directory.
Look for the UL Listing Mark on the product.

Richard B. Dunne
Group Manager - Fire Protection
FM Approvals
1151 Boston-Providence Turnpike
Norwood, MA 02062

Page 1 of 1

FM APPROVED

Certificate of Compliance

This certificate is issued for the following:
Indicating Butterfly Valves
MODEL 20GG-300
Sizes 2-1/2, 3, 4, 5, 6, 8 and 10 inch NPS
76.1, 139.7 and 165.1 mm NPS

Prepared for:
GALA RS Inc
11200 Westheimer
Suite 201
Houston, TX 77042

FM Approvals Class: 1112
Approval Identification: 0003051391 Certificate Issued: March 11, 2014
Supersedes certificate issued on February 11, 2014

To verify the availability of the Approved product, please refer to www.approvalguide.com
Said Approval is subject to satisfactory field performance, continuing Surveillance Audits, and strict conformity to the constructions as shown in the Approval Guide, an online resource of FM Approvals.

Richard B. Dunne March 11, 2014
Date

Richard B. Dunne
Manager - Fire Protection
FM Approvals
1151 Boston-Providence Turnpike
Norwood, MA 02062

FM Approvals
Member of the FM Global Group

FM APPROVED

Certificate of Compliance

This certificate is issued for the following:
OUTSIDE SCREW & YOKE TYPE (OS&Y) GATE VALVE
MODELS 399FF-300, 399FF-250, 399FF-200, 399GG-300, 399GG-250, 399GG-200,
399FF-300, 399FF-250, 399FF-200

NON-RISING STEM TYPE (NRS) GATE VALVE
MODELS 388FF-300, 388FF-250, 388FF-200, 388GG-300, 388GG-250, 388GG-200,
388FF-300, 388FF-250, 388FF-200

INDICATOR POST MODELS G388 AND W388
SWING CHECK VALVE MODELS 50FF - 300, 50FF-250, 50FF-200

Prepared for:
GALA RS Inc
11200 Westheimer
Suite 201
Houston, TX 77042

FM Approvals Class: 1120/1130, 1110, 1120
Approval Identification: 0003049247 Approval Granted: July 12, 2013

To verify the availability of the Approved product, please refer to www.approvalguide.com
Said Approval is subject to satisfactory field performance, continuing Surveillance Audits, and strict conformity to the constructions as shown in the Approval Guide, an online resource of FM Approvals.

Richard B. Dunne August 7, 2013
Date

Richard B. Dunne
Group Manager - Fire Protection
FM Approvals
1151 Boston-Providence Turnpike
Norwood, MA 02062

FM Approvals
Member of the FM Global Group

Gate Valve

Resilient Seated NRS Type-Flanged Ends

Fig. 388FF-300
388FF-250
388FF-200



Valve Standard

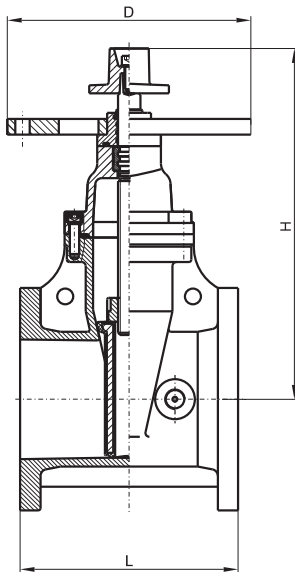
Conforms to AWWA C515 / BS5163

Working pressure

DN50~DN600 200PSI
DN50~DN450 250PSI
DN50~DN300 300PSI

Flanged Ends

ANSI B16.1 Class125/150/250,
EN1092-2 PN10/PN16/PN25
BS10 Table D/Table E



Materials List

Part Name	Material	Specification
Body	Ductile Iron	A536 65-45-12
Wedge Disc	Ductile Iron EPDM Coated	
Disc Nut	Bronze	ASTM B62
Stem	Stainless Steel	AISI 304/302
Gasket	EPDM	Commercial
Bonnet	Ductile Iron	A536 65-45-12
Thrust Collar	Bronze	ASTM B62
Gland	Ductile Iron	A536 65-45-12
Wrench Nut	Ductile Iron	A536 65-45-12
Post Plate	Ductile Iron	A536 65-45-12

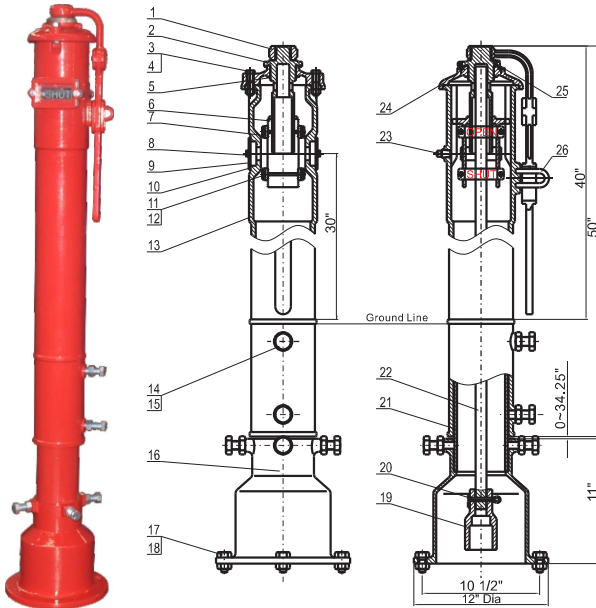
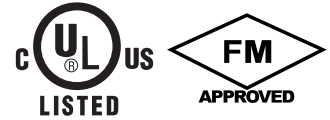
Dimensions(mm/inch):

SIZE	mm	50	65	80	100	125	150	200	250	300
	inch	2	2½	3	4	5	6	8	10	12
L	mm	178	191	203	229	254	267	292	330	356
	inch	7.00	7.50	8.00	9.00	10.00	10.50	11.50	13.00	14.00
H	mm	295	295	323	342	408	440	537	640	723
	inch	11.61	11.61	12.72	13.46	16.06	17.32	21.14	25.20	28.46
D	mm	305	305	305	305	305	305	305	305	305
	inch	12.01	12.01	12.01	12.01	12.01	12.01	12.01	12.01	12.01

Gate Valve

Indicator Post - Underground Type

Fig.G388



Materials List

DET	QTY.	Description	Material
		1 Locking Wrench	ASTM A126B
		2 Operating Nut	ASTM B62
		3 Hex Nut Screw	ASTM A105
		4 Hex Nut	ASTM A105
		5 Snap Ring	AISI A606
		6 Target Carrier Nut	ASTM B62
		7 Target	ASTM B108
		8 Hex Cap Screw	ASTM A105
		9 Window Glass	LEXAN-UM
		10 Window Glass Gasket	PTFE
		11 Hex Cap Screw	ASTM A105
		12 Hex Nut	ASTM A105
		13 Body	ASTM A536
		14 Hex Cap Screw	ASTM A105
		15 Hex Nut	ASTM A105
		16 Base Flange	ASTM A126B
		17 Hex Cap Screw	ASTM A105
		18 Hex Nut	ASTM A105
		19 Crane Coupling	ASTM A536
		20 Cotter Pin	AISI 304
		21 Stand Pipe	ASTM A53
		22 Stem	AISI 1045
		23 Plug	AISI 304
		24 Cover	ASTM A126B
		25 Cross Recessed Countersunk Head Screw	AISI 304
		26 Locking Nose	ASTM 307 B

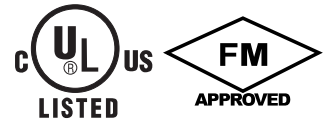
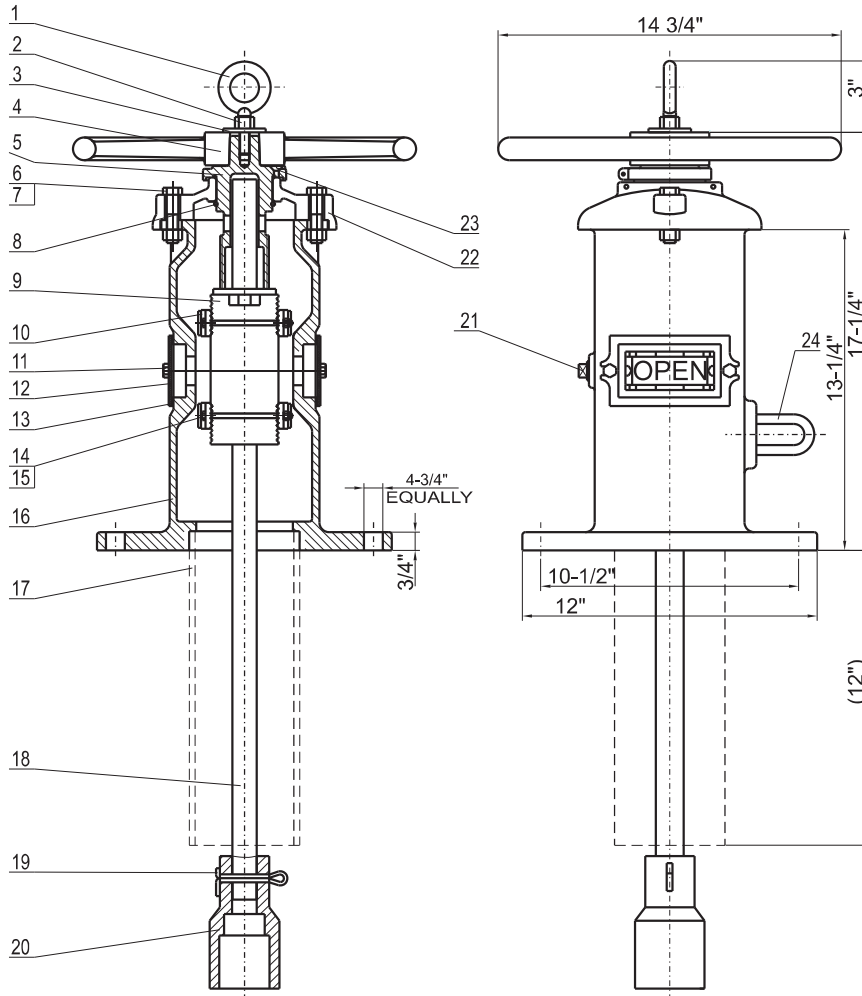
Field Adjustment:

1. Remove the top section from the top of the Indicator Post assembly.
2. Cut the required length off the bottom of the Standpipe for the Ground Line to match up with Standpipe Ground Line mark.
3. Set the "OPEN" and "SHUT" targets for the appropriate valve size.
4. Reattach the Top Section to the top of the Indicator Post assembly.
5. Design and dimensions are subject to change without notice

Gate Valve

Indicator Post - Wall Type

Fig.W388



Field Adjustment:

1. Remove the top section from the top of the Indicator Post assembly.
2. Set the "OPEN" and "SHUT" targets for the appropriate valves size.
3. Reattach the Top Section to the top of the Indicator Post assembly.
4. Design and materials are subject to change without notice.

Materials List

DET	QTY.	Description	Material	DET	QTY.	Description	Material
1	1	Lifting Eyey Bolt	ASTMA105	13	2	Window Glass Gasket	PTFE
2	1	Hex Nut	ASTMA105	14	4	Hex Cap Screw	ASTMA105
3	1	Washer	ASTMA105	15	4	Hex Nut	ASTMA105
4	1	Hand Wheel	ASTMA536	16	1	Body	ASTMA536
5	1	Operating Nut	ASTM B62	17	1	Stand Pipe	ASTMA53
6	2	Hex Cap Screw	ASTMA105	18	1	Stem	AISI 1045
7	2	Hex Nut	ASTMA105	19	1	Cotter Pin	AISI 304
8	1	Snap Ring	AISIA606	20	1	Crane Coupling	ASTMA536
9	1	Target Carrier Nut	ASTM B62	21	1	Plug	AISI 304
10	4	Target	ASTM B108	22	1	Cover	ASTMA126B
11	4	Hex Cap Screw	ASTMA105	23	1	Cross Recessed Countersunk Head Screw	AISI 304
12	2	Window Glass	LEXAN-UM	24	1	Locking Nose	ASTMA307B

Gate Valve

Resilient Seated OS&Y Type-Flanged Ends

Fig. 399FF-300
399FF-250
399FF-200



Valve Standard

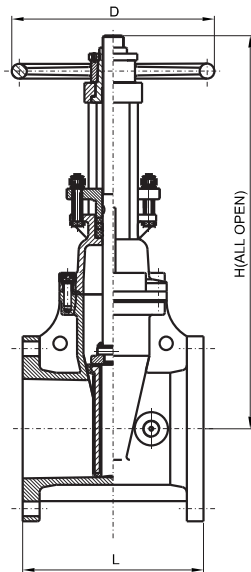
Conforms to AWWA C515 / BS5163

Working pressure

DN50~DN600 200PSI
DN50~DN450 250PSI
DN50~DN300 300PSI

Flanged Ends

ANSI B16.1 Class125/150/250,
EN1092-2 PN10/PN16/PN25
BS10 Table D/Table E



Materials List

Part Name	Material	Specification
Body	Ductile Iron	A536 65-45-12
Wedge	Ductile Iron EPDM Coated	
Wedge Nut	Stainless Steel	AISI304
Stem	Stainless Steel	AISI304/302
Bonnet	Ductile Iron	A536 65-45-12
Gasket	EPDM	Commercial
Packing	Graphite	Non-asbestos
Stem Nut	Bronze	ASTM B62
Handwheel	Ductile Iron	A536 65-45-12

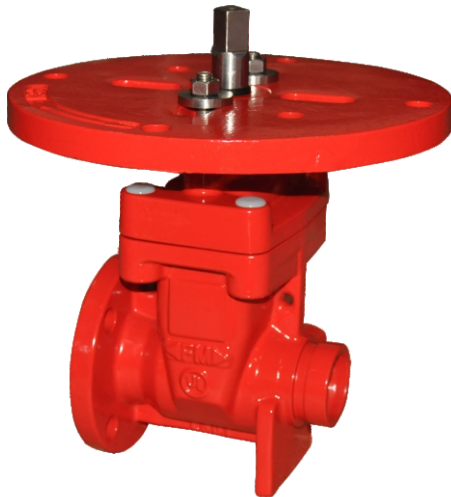
Dimensions(mm/inch):

SIZE	mm	50	65	80	100	125	150	200	250	300
	inch	2	2½	3	4	5	6	8	10	12
L	mm	178	191	203	229	254	267	292	330	356
	inch	7.00	7.50	8.00	9.00	10.00	10.50	11.50	13.00	14.00
H	mm	418	418	488	538	654	740	935	1126	1316
	inch	16.46	16.46	19.21	21.18	25.75	29.13	36.81	44.33	51.81
D	mm	183	183	253	253	306	306	355	445	445
	inch	7.20	7.20	9.96	9.96	12.05	12.05	13.98	17.52	17.52

Gate Valve

Resilient Seated NRS Type-Flange-Groove Ends

Fig. 388FG-300
388FG-250
388FG-200



Valve Standard

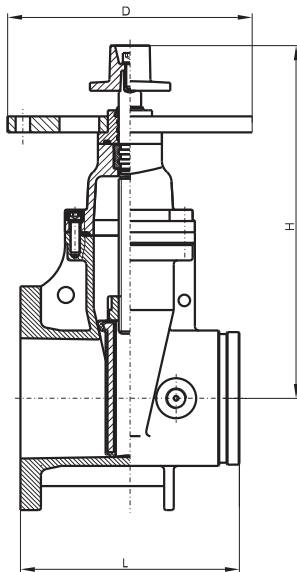
Conforms to AWWA C515 / BS5163

Working pressure

200PSI / 250PSI / 300PSI

Connection Ends

ANSI B16.1 Class 125/150/250,
EN1092-2 PN10/PN16/PN25
BS10 Table D/Table E
AWWA C 606
VDS2100/AS2638.2



Materials List

Part Name	Material	Specification
Body	Ductile Iron	A536 65-45-12
Wedge Disc	Ductile Iron EPDM Coated	
Disc Nut	Bronze	ASTM B62
Stem	Stainless Steel	AISI 304/302
Gasket	EPDM	Commercial
Bonnet	Ductile Iron	A536 65-45-12
Thrust Collar	Bronze	ASTM B62
Gland	Ductile Iron	A536 65-45-12
Wrench Nut	Ductile Iron	A536 65-45-12
Post Plate	Ductile Iron	A536 65-45-12

Dimensions(mm/inch):

SIZE	mm	50	65	80	100	125	150	200	250	300
	inch	2	2½	3	4	5	6	8	10	12
L	mm	178	191	203	229	254	267	292	330	356
	inch	7.00	7.50	8.00	9.00	10.00	10.50	11.50	13.00	14.00
H	mm	295	295	323	342	408	440	537	640	723
	inch	11.61	11.61	12.72	13.46	16.06	17.32	21.14	25.20	28.46
D	mm	305	305	305	305	305	305	305	305	305
	inch	12.01	12.01	12.01	12.01	12.01	12.01	12.01	12.01	12.01

Gate Valve

Resilient Seated NRS Type-Groove-Groove Ends

Fig. 388GG-300
388GG-250
388GG-200



Valve Standard

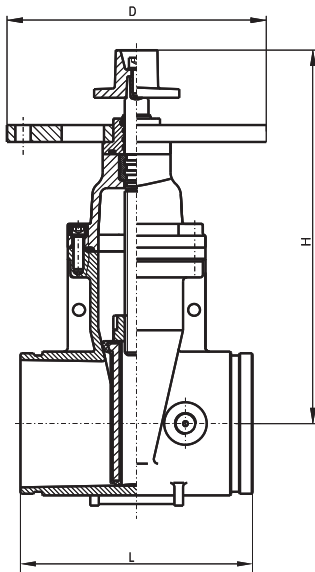
Conforms to AWWA C515 / BS5163

Working pressure

200PSI / 250PSI / 300PSI

Connection Ends

AWWA C 606
VDS2100/AS2638.2



Materials List

Part Name	Material	Specification
Body	Ductile Iron	A536 65-45-12
Wedge Disc	Ductile Iron EPDM Coated	
Disc Nut	Bronze	ASTM B62
Stem	Stainless Steel	AISI 304/302
Gasket	EPDM	Commercial
Bonnet	Ductile Iron	A536 65-45-12
Thrust Collar	Bronze	ASTM B62
Gland	Ductile Iron	A536 65-45-12
Wrench Nut	Ductile Iron	A536 65-45-12
Post Plate	Ductile Iron	A536 65-45-12

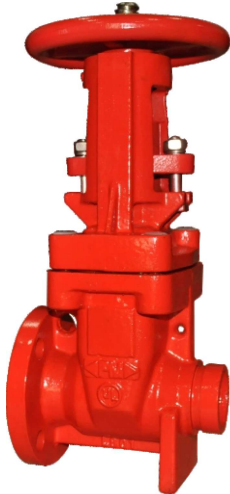
Dimensions(mm/inch):

SIZE	mm	50	65	80	100	125	150	200	250	300
	inch	2	2½	3	4	5	6	8	10	12
L	mm	178	191	203	229	254	267	292	330	356
	inch	7.00	7.50	8.00	9.00	10.00	10.50	11.50	13.00	14.00
H	mm	295	295	323	342	408	440	537	640	723
	inch	11.61	11.61	12.72	13.46	16.06	17.32	21.14	25.20	28.46
D	mm	305	305	305	305	305	305	305	305	305
	inch	12.01	12.01	12.01	12.01	12.01	12.01	12.01	12.01	12.01

Gate Valve

Resilient Seated OS&Y Type-Flange-Groove Ends

Fig. 399FG-300
399FG-250
399FG-200



Valve Standard

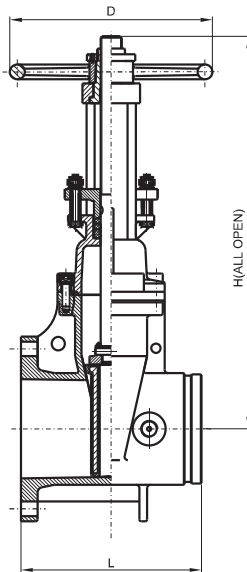
Conforms to AWWA C515 / BS5163

Working pressure

200PSI / 250PSI / 300PSI

Connection Ends

ANSI B16.1 Class 125/150/250,
EN1092-2 PN10/PN16/PN25
BS10 Table D/Table E
AWWA C 606
VDS2100/AS2638.2



Materials List

Part Name	Material	Specification
Body	Ductile Iron	A536 65-45-12
Wedge	Ductile Iron EPDM Coated	
Wedge Nut	Stainless Steel	AISI304
Stem	Stainless Steel	AISI304/302
Bonnet	Ductile Iron	A536 65-45-12
Gasket	EPDM	Commercial
Packing	Graphite	Non-asbestos
Stem Nut	Bronze	ASTM B62
Handwheel	Ductile Iron	A536 65-45-12

Dimensions(mm/inch):

SIZE	mm	50	65	80	100	125	150	200	250	300
	inch	2	2½	3	4	5	6	8	10	12
L	mm	178	191	203	229	254	267	292	330	356
	inch	7.00	7.50	8.00	9.00	10.00	10.50	11.50	13.00	14.00
H	mm	418	418	488	538	654	740	935	1126	1316
	inch	16.46	16.46	19.21	21.18	25.75	29.13	36.81	44.33	51.81
D	mm	183	183	253	253	306	306	355	445	445
	inch	7.20	7.20	9.96	9.96	12.05	12.05	13.98	17.52	17.52

Gate Valve

Resilient Seated OS&Y Type-Groove-Groove Ends

Fig. 399GG-300
399GG-250
399GG-200



Valve Standard

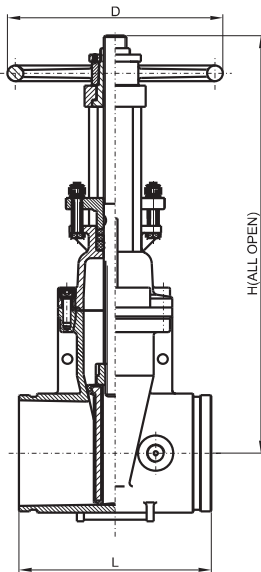
Conforms to AWWA C515 / BS5163

Working pressure

200PSI / 250PSI / 300PSI

Connection Ends

AWWA C 606
VDS2100/AS2638.2



Materials List

Part Name	Material	Specification
Body	Ductile Iron	A536 65-45-12
Wedge	Ductile Iron EPDM Coated	
Wedge Nut	Stainless Steel	AISI304
Stem	Stainless Steel	AISI304/302
Bonnet	Ductile Iron	A536 65-45-12
Gasket	EPDM	Commercial
Packing	Graphite	Non-asbestos
Stem Nut	Bronze	ASTM B62
Handwheel	Ductile Iron	A536 65-45-12

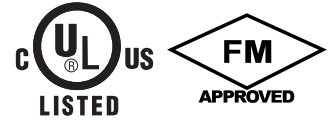
Dimensions(mm/inch):

SIZE	mm	50	65	80	100	125	150	200	250	300
	inch	2	2½	3	4	5	6	8	10	12
L	mm	178	191	203	229	254	267	292	330	356
	inch	7.00	7.50	8.00	9.00	10.00	10.50	11.50	13.00	14.00
H	mm	418	418	488	538	654	740	935	1126	1316
	inch	16.46	16.46	19.21	21.18	25.75	29.13	36.81	44.33	51.81
D	mm	183	183	253	253	306	306	355	445	445
	inch	7.20	7.20	9.96	9.96	12.05	12.05	13.98	17.52	17.52

Gate Valve

Resilient Seated NRS Type-Flanged Ends

Fig. 322FF-300
322FF-250
322FF-200



Valve Standard

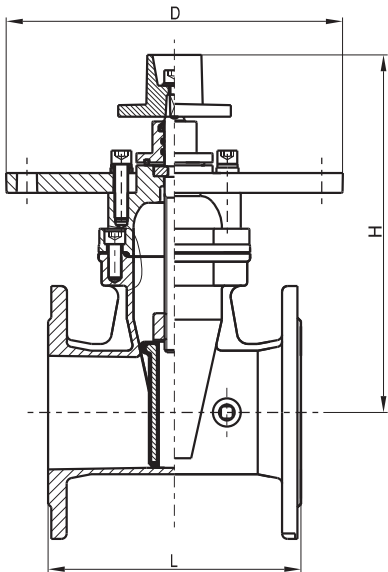
Conforms to AWWA C515 / BS5163

Working pressure

200PSI / 250PSI / 300PSI

Connection Ends

ANSI B16.1 Class125/150
EN1092-2 PN16



Materials List

Part Name	Material	Specification
Body	Ductile Iron	A536 65-45-12
Wedge Disc	Ductile Iron EPDM Coated	
Disc Nut	Bronze	ASTM B62
Stem	Stainless Steel	AISI 304/420
Gasket	EPDM	Commercial
Bonnet	Ductile Iron	A536 65-45-12
Thrust Collar	Bronze	ASTM B62
Gland	Ductile Iron	A536 65-45-12
Wrench Nut	Ductile Iron	A536 65-45-12
Post Plate	Ductile Iron	A536 65-45-12

Dimensions(mm/inch):

SIZE	mm	50	65	80	100	125	150	200	250	300
	inch	2	2 1/2	3	4	5	6	8	10	12
L	mm	178	191	203	229	254	267	292	330	356
	inch	7.00	7.50	8.00	9.00	10.00	10.50	11.50	13.00	14.00
H	mm	279	279	305	324	394	428	537	640	723
	inch	10.98	10.98	12.01	12.76	15.51	16.85	21.14	25.20	28.46
D	mm	305	305	305	305	305	305	305	305	305
	inch	12.01	12.01	12.01	12.01	12.01	12.01	12.01	12.01	12.01

Gate Valve

Resilient Seated NRS Type-Flanged Ends

Fig. 322FF-250(DN350-DN450)
322FF-200(DN500-DN600)



Valve Standard

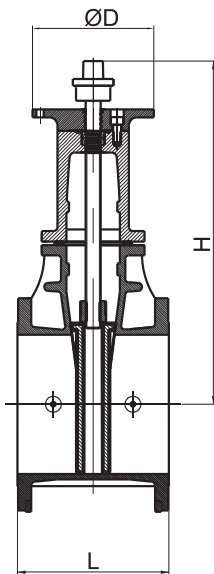
Conforms to AWWA C515 / BS5163

Working pressure

200PSI / 250PSI

Connection Ends

ANSI B16.1 Class125/150
EN1092-2 PN16



Materials List

Part Name	Material	Specification
Body	Ductile Iron	A536 65-45-12
Wedge Disc	Ductile Iron EPDM Coated	
Disc Nut	Bronze	ASTM B62
Stem	Stainless Steel	AISI 304/420
Gasket	EPDM	Commercial
Bonnet	Ductile Iron	A536 65-45-12
Thrust Collar	Bronze	ASTM B62
Gland	Ductile Iron	A536 65-45-12
Wrench Nut	Ductile Iron	A536 65-45-12
Post Plate	Ductile Iron	A536 65-45-12

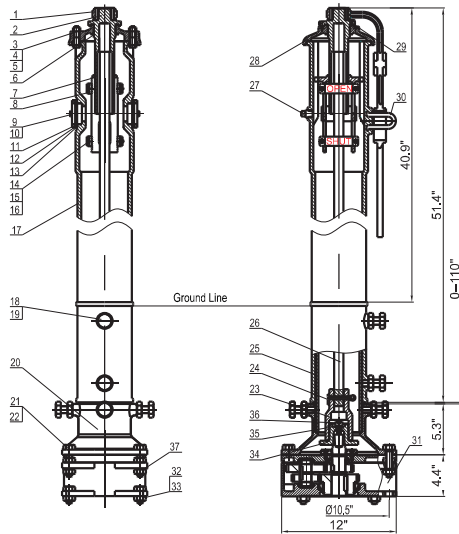
Dimensions(mm/inch):

SIZE	mm	350	400	450	500	600
	inch	14	16	18	20	24
L	mm	381	406	432	457	508
	inch	15.00	15.98	17.01	17.99	20.00
H	mm	862	938	1057	1142	1295
	inch	33.94	36.93	41.61	44.96	50.98
D	mm	305	305	305	305	305
	inch	12.01	12.01	12.01	12.01	12.01

Gate Valve

Indicator Post - Underground Type

Fig.G322



Materials List

DET	QTY.	Description	Material
1	1	Locking Wrench	ASTM A536
2	1	Operating Nut	ASTM B62/A351 CF8
3	2	Bolt	ASTM A105
4	2	Nut	ASTM A105
5	2	Flat Washer	ASTM A105
6	1	Shap Ring	AISI 606
7	1	Taget Carrier Nut	ASTM B62
8	4	Target	ASTM B108
9	4	Bolt	ASTM A105
10	4	Flat Washer	ASTM A105
11	2	Window Gland	ASTM A307B
12	2	Window Glass	LEXAN-UN STABILIZE
13	4	Gasket	EPDM
14	4	Bolt	ASTM A105
15	4	Spring Washer	ASTM A105
16	1	Nut	ASTM A105
17	6	Body	ASTM A105
18	6	Bolt	ASTM A105
19	1	NUt	ASTM A105
20	4	Base Flange	ASTM A126B
21	8	Bolt	ASTM A105
22	1	Nut	ASTM A105
23	1	Crane Coupling	ASTM A536
24	1	Cotter Pin	AISI 304
25	1	Stand Pipe	ASTM A536
26	1	Stem 1" Square	AISI 1045
27	1	Plug	AISI 304
28	1	Top Cover	ASTM A126B
29	1	Screw	AISI 304
30	1	Lock Nose	ASTM A307B
31	1	Reducer	PARTS
32	4	Bolt	ASTM A105
33	4	Nut	ASTM A105
34	1	Wrench Nut	ASTM A536
35	1	Washer	AISI 304
36	1	Hex. Socket Cap Screw	AISI 304
37	4	Spring Washer	AISI 304

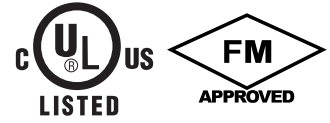
Field Adjustment:

1. Remove the top section from the top of the Indicator Post assembly.
2. Cut the required length off the bottom of the Standpipe for the Ground Line to match up with Standpipe Ground Line mark.
3. Set the "OPEN" and "SHUT" targets for the appropriate valve size.
4. Reattach the Top Section to the top of the Indicator Post assembly.
5. Design and dimensions are subject to change without notice

Gate Valve

Resilient Seated NRS Type-Flange-Groove Ends

Fig. 322FG-300
322FG-250
322FG-200



Valve Standard

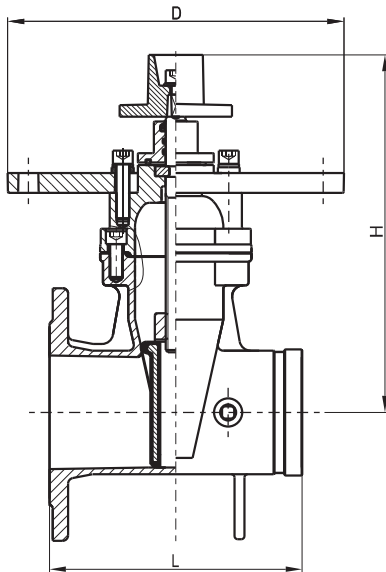
Conforms to AWWA C515 / BS5163

Working pressure

200PSI / 250PSI / 300PSI

Connection Ends

ANSI B16.1 Class125/150
EN1092-2 PN16
AWWA C 606
VDS2100/AS2638.2



Materials List

Part Name	Material	Specification
Body	Ductile Iron	A536 65-45-12
Wedge Disc	Ductile Iron EPDM Coated	
Disc Nut	Bronze	ASTM B62
Stem	Stainless Steel	AISI 304/420
Gasket	EPDM	Commercial
Bonnet	Ductile Iron	A536 65-45-12
Thrust Collar	Bronze	ASTM B62
Gland	Ductile Iron	A536 65-45-12
Wrench Nut	Ductile Iron	A536 65-45-12
Post Plate	Ductile Iron	A536 65-45-12

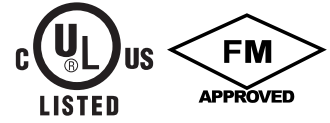
Dimensions(mm/inch):

SIZE	mm	50	65	80	100	125	150	200	250	300
	inch	2	2 1/2	3	4	5	6	8	10	12
L	mm	178	191	203	229	254	267	292	330	356
	inch	7.00	7.50	8.00	9.00	10.00	10.50	11.50	13.00	14.00
H	mm	279	279	305	324	394	428	537	640	723
	inch	10.98	10.98	12.01	12.76	15.51	16.85	21.14	25.20	28.46
D	mm	305	305	305	305	305	305	305	305	305
	inch	12.01	12.01	12.01	12.01	12.01	12.01	12.01	12.01	12.01

Gate Valve

Resilient Seated NRS Type-Groove-Groove Ends

Fig. 322GG-300
322GG-250
322GG-200



Valve Standard

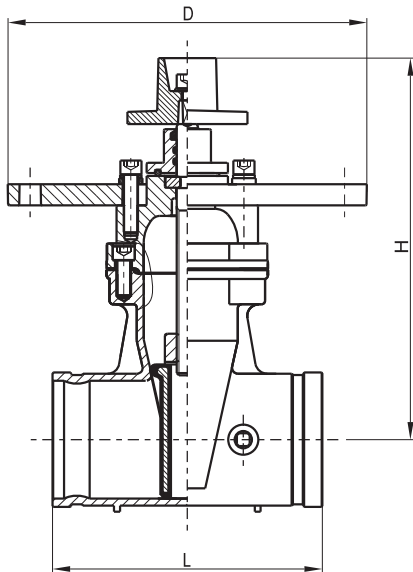
Conforms to AWWA C515 / BS5163

Working pressure

200PSI / 250PSI / 300PSI

Connection Ends

AWWA C 606
VDS2100/AS2638.2



Materials List

Part Name	Material	Specification
Body	Ductile Iron	A536 65-45-12
Wedge Disc	Ductile Iron EPDM Coated	
Disc Nut	Bronze	ASTM B62
Stem	Stainless Steel	AISI 304/420
Gasket	EPDM	Commercial
Bonnet	Ductile Iron	A536 65-45-12
Thrust Collar	Bronze	ASTM B62
Gland	Ductile Iron	A536 65-45-12
Wrench Nut	Ductile Iron	A536 65-45-12
Post Plate	Ductile Iron	A536 65-45-12

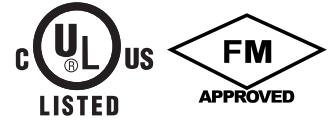
Dimensions(mm/inch):

SIZE	mm	50	65	80	100	125	150	200	250	300
	inch	2	2 1/2	3	4	5	6	8	10	12
L	mm	178	191	203	229	254	267	292	330	356
	inch	7.00	7.50	8.00	9.00	10.00	10.50	11.50	13.00	14.00
H	mm	279	279	305	324	394	428	537	640	723
	inch	10.98	10.98	12.01	12.76	15.51	16.85	21.14	25.20	28.46
D	mm	305	305	305	305	305	305	305	305	305
	inch	12.01	12.01	12.01	12.01	12.01	12.01	12.01	12.01	12.01

Gate Valve

Resilient Seated NRS Type-MJ-MJ Ends

Fig. 322JJ-300
322JJ-250
322JJ-200



Valve Standard

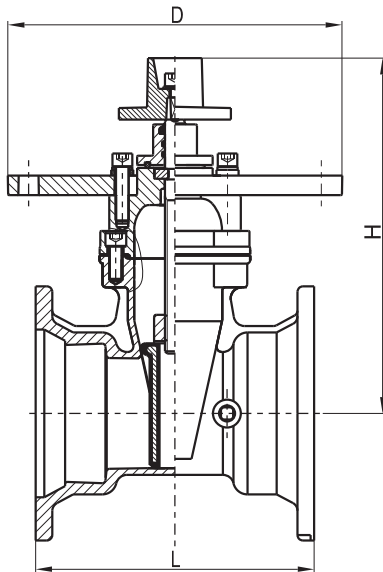
Conforms to AWWA C515 / BS5163

Working pressure

200PSI / 250PSI / 300PSI

Connection Ends

AWWA C 153 / A21.11



Materials List

Part Name	Material	Specification
Body	Ductile Iron	A536 65-45-12
Wedge Disc	Ductile Iron EPDM Coated	
Disc Nut	Bronze	ASTM B62
Stem	Stainless Steel	AISI 304/420
Gasket	EPDM	Commercial
Bonnet	Ductile Iron	A536 65-45-12
Thrust Collar	Bronze	ASTM B62
Gland	Ductile Iron	A536 65-45-12
Wrench Nut	Ductile Iron	A536 65-45-12
Post Plate	Ductile Iron	A536 65-45-12

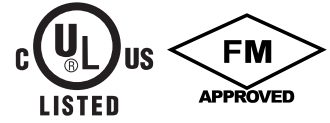
Dimensions(mm/inch):

SIZE	mm	80	100	150	200	250	300
	inch	3	4	6	8	10	12
L	mm	241	254	292	318	375	378
	inch	9.49	10.00	11.50	12.52	14.76	14.88
H	mm	305	324	428	537	640	723
	inch	12.01	12.76	16.85	21.14	25.20	28.46
D	mm	305	305	305	305	305	305
	inch	12.01	12.01	12.01	12.01	12.01	12.01

Gate Valve

Resilient Seated NRS Type-Flanged-MJ Ends

Fig. 322FJ-300
322FJ-250
322FJ-200



Valve Standard

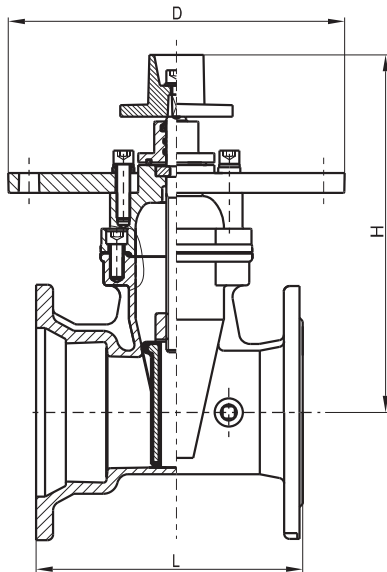
Conforms to AWWA C515 / BS5163

Working pressure

200PSI / 250PSI / 300PSI

Connection Ends

AWWA C 153 / A21.11
ANSI B16.1 CLASS125/150
EN1092-2 PN16



Materials List

Part Name	Material	Specification
Body	Ductile Iron	A536 65-45-12
Wedge Disc	Ductile Iron EPDM Coated	
Disc Nut	Bronze	ASTM B62
Stem	Stainless Steel	AISI 304/420
Gasket	EPDM	Commercial
Bonnet	Ductile Iron	A536 65-45-12
Thrust Collar	Bronze	ASTM B62
Gland	Ductile Iron	A536 65-45-12
Wrench Nut	Ductile Iron	A536 65-45-12
Post Plate	Ductile Iron	A536 65-45-12

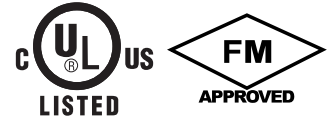
Dimensions(mm/inch):

SIZE	mm	80	100	150	200	250	300
	inch	3	4	6	8	10	12
L	mm	222.0	241.5	279.5	305.0	352.5	367.0
	inch	8.74	9.51	11.00	12.01	13.88	14.45
H	mm	305	324	428	537	640	723
	inch	12.01	12.76	16.85	21.14	25.20	28.46
D	mm	305	305	305	305	305	305
	inch	12.01	12.01	12.01	12.01	12.01	12.01

Gate Valve

Resilient Seated OS&Y Type-Flanged Ends

Fig. 333FF-300
333FF-250
333FF-200



Valve Standard

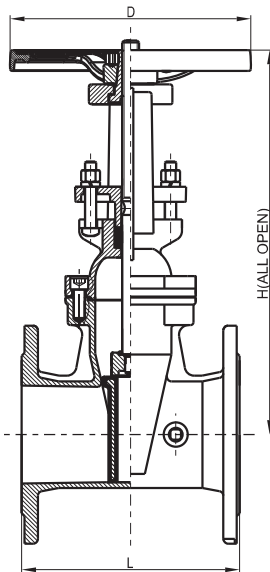
Conforms to AWWA C515 / BS5163

Working pressure

200PSI / 250PSI / 300PSI

Connection Ends

ANSI B16.1 Class125/150
EN1092-2 PN16



Materials List

Part Name	Material	Specification
Body	Ductile Iron	A536 65-45-12
Wedge	Ductile Iron EPDM Coated	
Wedge Nut	Stainless Steel	AISI304
Stem	Stainless Steel	AISI 304/420
Bonnet	Ductile Iron	A536 65-45-12
Gasket	EPDM	Commercial
Packing	Graphite	Non-asbestos
Stem Nut	Bronze	ASTM B62
Handwheel	Ductile Iron	A536 65-45-12

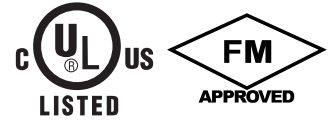
Dimensions(mm/inch):

SIZE	mm	50	65	80	100	125	150	200	250	300
	inch	2	2 1/2	3	4	5	6	8	10	12
L	mm	178.0	191.0	203.0	229.0	254.0	267.0	292.0	330.0	356.0
	inch	7.00	7.50	8.00	9.00	10.00	10.50	11.50	13.00	14.00
H	mm	411	411	462	514	629	709	922	1116	1300
	inch	16.18	16.18	18.19	20.24	24.76	27.91	36.30	43.94	51.18
D	mm	183	183	253	253	306	306	355	445	445
	inch	7.20	7.20	9.96	9.96	12.05	12.05	13.98	17.52	17.52

Gate Valve

Resilient Seated OS&Y Type-Flanged Ends

Fig. 333FF-250(DN350-DN450)
333FF-200(DN500-DN600)



Valve Standard

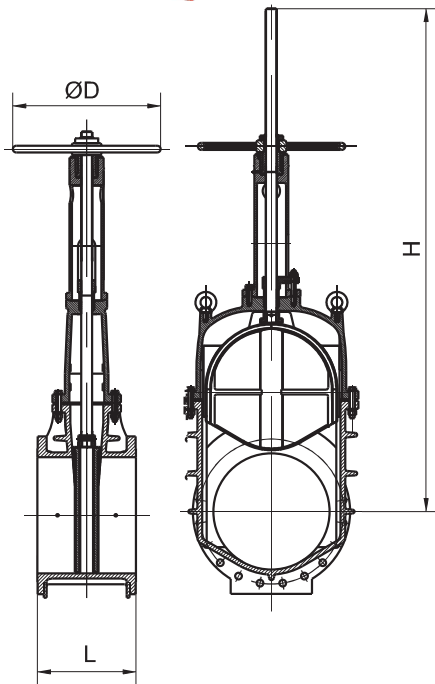
Conforms to AWWA C515 / BS5163

Working pressure

200PSI / 250PSI

Connection Ends

ANSI B16.1 Class125/150
EN1092-2 PN16



Materials List

Part Name	Material	Specification
Body	Ductile Iron	A536 65-45-12
Wedge	Ductile Iron EPDM Coated	
Wedge Nut	Stainless Steel	AISI304
Stem	Stainless Steel	AISI 304/420
Bonnet	Ductile Iron	A536 65-45-12
Gasket	EPDM	Commercial
Packing	Graphite	Non-asbestos
Stem Nut	Bronze	ASTM B62
Handwheel	Ductile Iron	A536 65-45-12

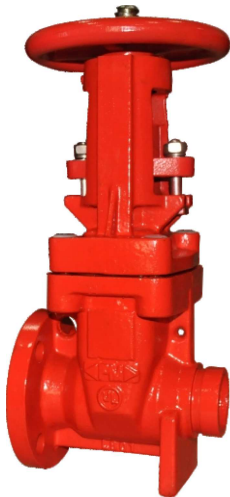
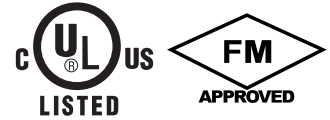
Dimensions(mm/inch):

SIZE	mm	350	400	450	500	600
	inch	14	16	18	20	24
L	mm	381	406	432	457	508
	inch	15.00	15.98	17.01	17.99	20.00
H	mm	1577	1800	2048	2297	2600
	inch	62.09	70.87	80.63	90.43	102.36
D	mm	508	558	610	610	762
	inch	20.00	21.97	24.02	24.02	30.00

Gate Valve

Resilient Seated OS&Y Type-Flange-Groove Ends

Fig. 333FG-300
333FG-250
333FG-200



Valve Standard

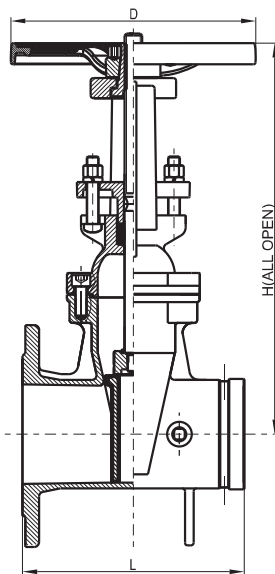
Conforms to AWWA C515 / BS5163

Working pressure

200PSI / 250PSI / 300PSI

Connection Ends

ANSI B16.1 Class125/150
EN1092-2 PN16
AWWA C 606
VDS2100/AS2638.2



Materials List

Part Name	Material	Specification
Body	Ductile Iron	A536 65-45-12
Wedge	Ductile Iron EPDM Coated	
Wedge Nut	Stainless Steel	AISI304
Stem	Stainless Steel	AISI 304/420
Bonnet	Ductile Iron	A536 65-45-12
Gasket	EPDM	Commercial
Packing	Graphite	Non-asbestos
Stem Nut	Bronze	ASTM B62
Handwheel	Ductile Iron	A536 65-45-12

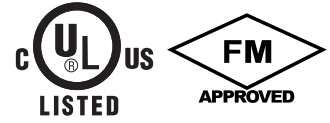
Dimensions(mm/inch):

SIZE	mm	50	65	80	100	125	150	200	250	300
	inch	2	2 1/2	3	4	5	6	8	10	12
L	mm	178.0	191.0	203.0	229.0	254.0	267.0	292.0	330.0	356.0
	inch	7.00	7.50	8.00	9.00	10.00	10.50	11.50	13.00	14.00
H	mm	411	411	462	514	629	709	922	1116	1300
	inch	16.18	16.18	18.19	20.24	24.76	27.91	36.30	43.94	51.18
D	mm	183	183	253	253	306	306	355	445	445
	inch	7.20	7.20	9.96	9.96	12.05	12.05	13.98	17.52	17.52

Gate Valve

Resilient Seated OS&Y Type-Groove-Groove Ends

Fig. 333GG-300
333GG-250
333GG-200



Valve Standard

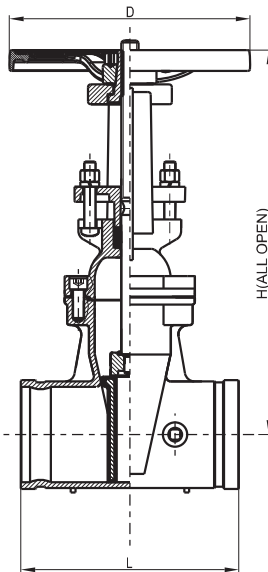
Conforms to AWWA C515 / BS5163

Working pressure

200PSI / 250PSI / 300PSI

Connection Ends

AWWA C 606
VDS2100/AS2638.2



Materials List

Part Name	Material	Specification
Body	Ductile Iron	A536 65-45-12
Wedge	Ductile Iron EPDM Coated	
Wedge Nut	Stainless Steel	AISI304
Stem	Stainless Steel	AISI 304/420
Bonnet	Ductile Iron	A536 65-45-12
Gasket	EPDM	Commercial
Packing	Graphite	Non-asbestos
Stem Nut	Bronze	ASTM B62
Handwheel	Ductile Iron	A536 65-45-12

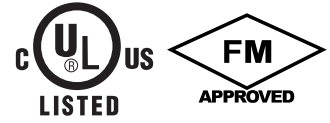
Dimensions(mm/inch):

SIZE	mm	50	65	80	100	125	150	200	250	300
	inch	2	2 1/2	3	4	5	6	8	10	12
L	mm	178.0	191.0	203.0	229.0	254.0	267.0	292.0	330.0	356.0
	inch	7.00	7.50	8.00	9.00	10.00	10.50	11.50	13.00	14.00
H	mm	411	411	462	514	629	709	922	1116	1300
	inch	16.18	16.18	18.19	20.24	24.76	27.91	36.30	43.94	51.18
D	mm	183	183	253	253	306	306	355	445	445
	inch	7.20	7.20	9.96	9.96	12.05	12.05	13.98	17.52	17.52

Gate Valve

Resilient Seated OS&Y Type-MJ-MJ Ends

Fig. 333JJ-300
333JJ-250
333JJ-200



Valve Standard

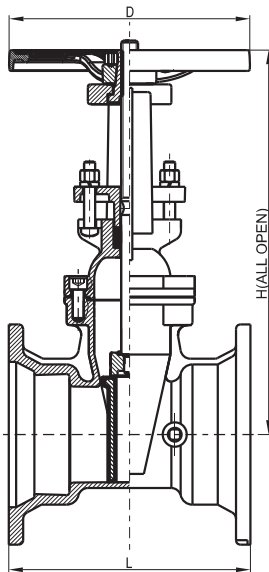
Conforms to AWWA C515 / BS5163

Working pressure

200PSI / 250PSI / 300PSI

Connection Ends

AWWA C153/A21.11



Materials List

Part Name	Material	Specification
Body	Ductile Iron	A536 65-45-12
Wedge	Ductile Iron EPDM Coated	
Wedge Nut	Stainless Steel	AISI304
Stem	Stainless Steel	AISI 304/420
Bonnet	Ductile Iron	A536 65-45-12
Gasket	EPDM	Commercial
Packing	Graphite	Non-asbestos
Stem Nut	Bronze	ASTM B62
Handwheel	Ductile Iron	A536 65-45-12

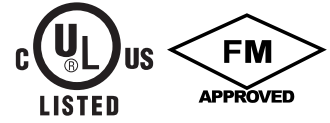
Dimensions(mm/inch):

SIZE	mm	80	100	150	200	250	300
	inch	3	4	6	8	10	12
L	mm	241	254	292	318	375	378
	inch	9.49	10.00	11.50	12.52	14.76	14.88
H	mm	462	514	709	922	1116	1300
	inch	18.19	20.24	27.91	36.30	43.94	51.18
D	mm	253	253	306	355	445	445
	inch	9.96	9.96	12.05	13.98	17.52	17.52

Gate Valve

Resilient Seated OS&Y Type-Flanged-MJ Ends

Fig. 333FJ-300
333FJ-250
333FJ-200



Valve Standard

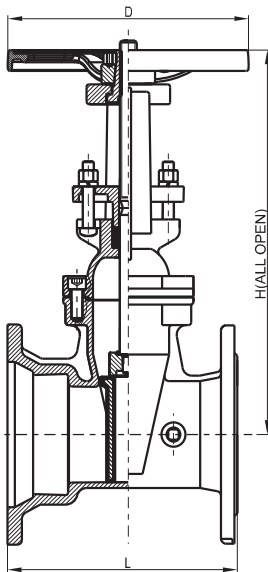
Conforms to AWWA C515 / BS5163

Working pressure

200PSI / 250PSI / 300PSI

Connection Ends

AWWA C153/A21.11
ANSI B16.1 CLASS125/150
EN1092-2 PN16



Materials List

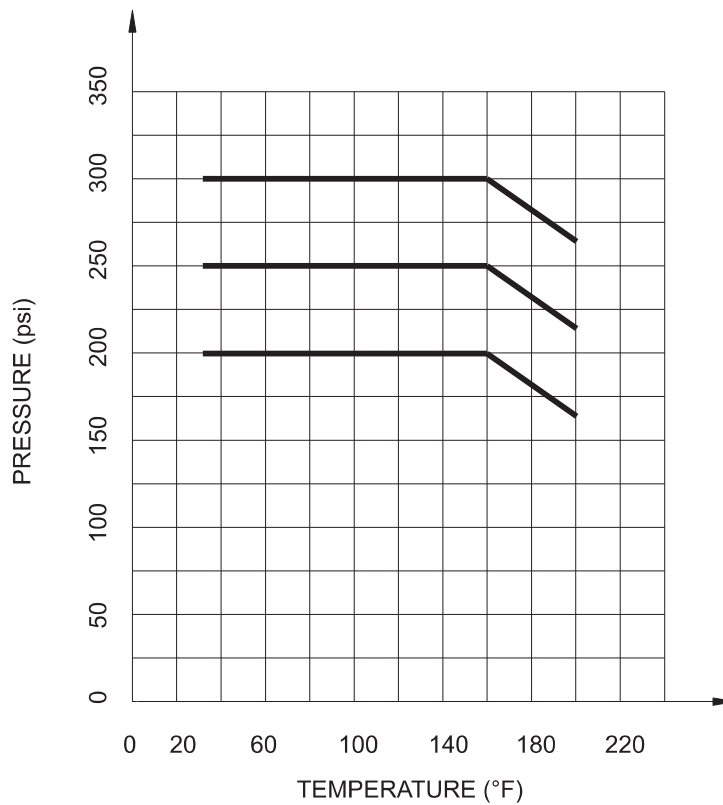
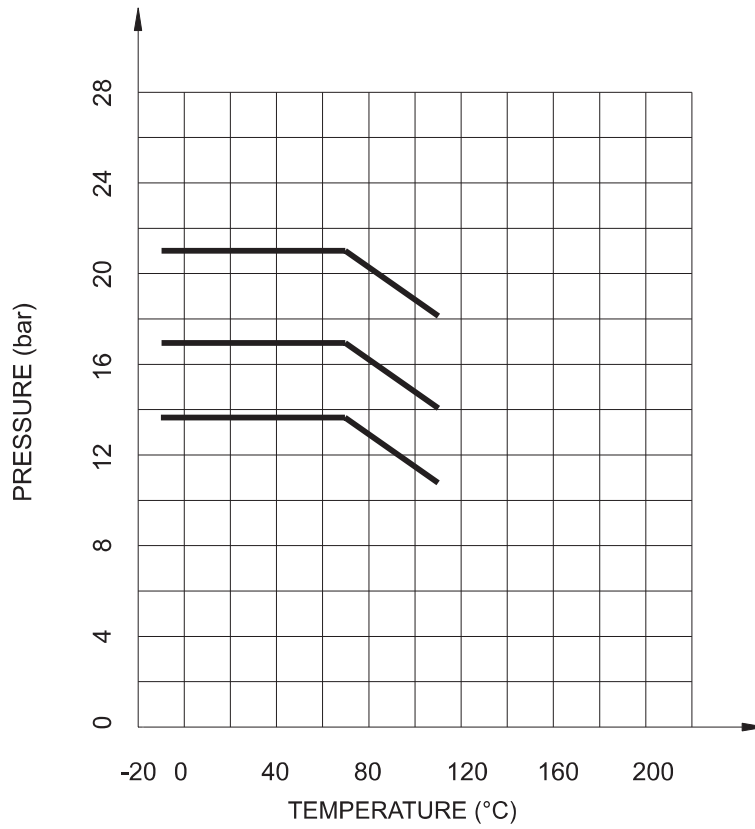
Part Name	Material	Specification
Body	Ductile Iron	A536 65-45-12
Wedge	Ductile Iron EPDM Coated	
Wedge Nut	Stainless Steel	AISI304
Stem	Stainless Steel	AISI 304/420
Bonnet	Ductile Iron	A536 65-45-12
Gasket	EPDM	Commercial
Packing	Graphite	Non-asbestos
Stem Nut	Bronze	ASTM B62
Handwheel	Ductile Iron	A536 65-45-12

Dimensions(mm/inch):

SIZE	mm	80	100	150	200	250	300
	inch	3	4	6	8	10	12
L	mm	222	241.5	279.5	305	352.5	367
	inch	8.74	9.51	11.00	12.01	13.88	14.45
H	mm	462	514	709	922	1116	1300
	inch	18.19	20.24	27.91	36.30	43.94	51.18
D	mm	253	253	306	355	445	445
	inch	9.96	9.96	12.05	13.98	17.52	17.52

Gate Valve

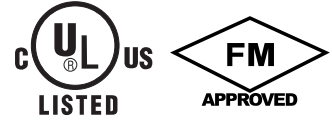
Pressure-Temperature Chart



Swing Check Valve

Resilient Seated Flanged Ends

Fig. 50FF-300
50FF-250
50FF-200



Valve Standard

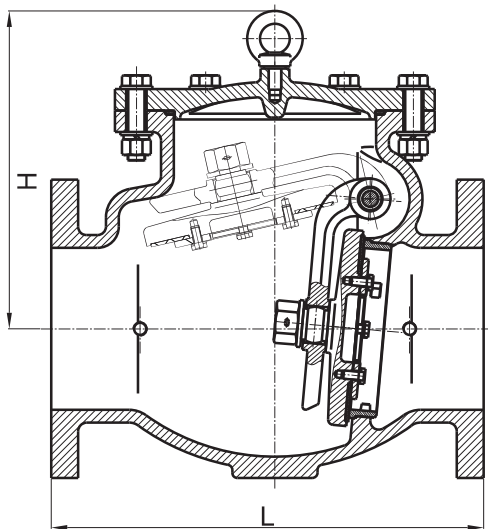
Conforms to AWWA C508, Clear Waterway

Working pressure

200PSI / 250PSI / 300PSI

Flanged Ends

ANSI B16.1 Class125/150/250,
EN1092-2 PN10/PN16/PN25
BS10 Table D/Table E



Materials List

Part Name	Material	Specification
Body	Ductile Iron	A536 65-45-12
Cover	Ductile Iron	A536 65-45-12
Clapper	Ductile Iron	A536 65-45-12
Clapper Arm	Ductile Iron	A536 65-45-12
Disc Seals	EPDM	
Hinge Pin	Stainless Steel	AISI 304
Seat	Bronze	ASTM B62
	Stainless Steel	AISI 304

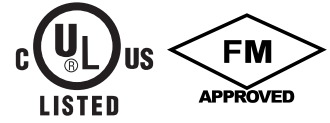
Dimensions(mm/inch)

SIZE	mm	50	65	80	100	125	150	200	250	300
	inch	2	2½	3	4	5	6	8	10	12
L	mm	203	254	279	330	356	406	495	559	660
	inch	8	10	11	13	14	16	19.5	22	26
H	mm	122	133	136.5	219.5	296	298.5	357	410	463
	inch	4.80	5.23	5.37	8.64	11.65	11.75	14.06	16.14	18.31

Swing Check Valve

Resilient Seated Flanged Ends

Fig. 55FF-300
55FF-250
55FF-200



Valve Standard

Conforms to AWWA C508, Clear Waterway

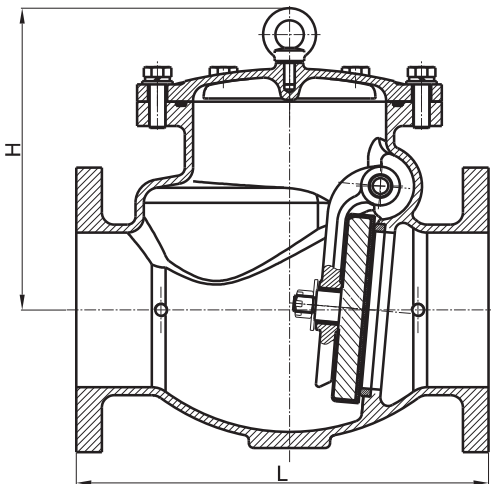


Working pressure

200PSI / 250PSI / 300PSI

Flanged Ends

ANSI B16.1 Class125/150/250,
EN1092-2 PN10/PN16/PN25
BS10 Table D/Table E



Materials List

Part Name	Material	Specification
Body	Ductile Iron	A536 65-45-12
Cover	Ductile Iron	A536 65-45-12
Clapper	Carbon Steel	A36+SS304+EPDM
Clapper Arm	Ductile Iron	A536 65-45-12
Hinge Pin	Stainless Steel	AISI 304
Seat	Bronze	ASTM B62

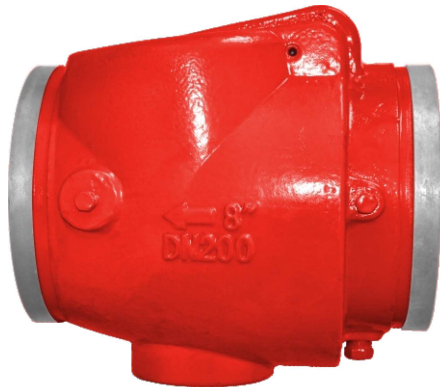
Dimensions(mm/inch)

SIZE	mm	50	65	80	100	125	150	200	250	300
	inch	2	2½	3	4	5	6	8	10	12
L	mm	203	254	279	330	356	406	495	559	660
	inch	8	10	11	13	14	16	19.5	22	26
H	mm	117	128	132.5	222.5	290	297	365	417.5	453
	inch	4.61	5.04	5.22	8.76	11.42	11.69	14.37	16.44	17.83

Swing Check Valve

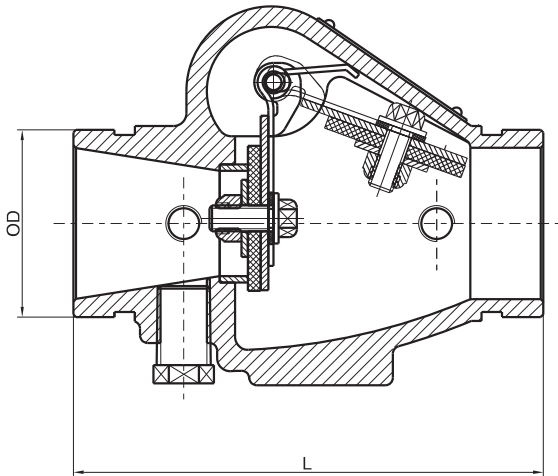
Resilient Seated Grooved Ends

Fig. 50GG-300
50GG-250
50GG-200



Working pressure
200PSI / 250PSI / 300PSI

Connection Ends
AWWA C 606
VDS2100/AS2638.2



Materials List

Part Name	Material	ASTM Specification
Body	Ductile Iron	A536 65-45-12
Seat	Bronze	ASTM B62
Clapper	Stainless Steel	AISI 304
Facing Seal	EPDM Rubber	
Clamping Ring	Stainless Steel	AISI 304
Gasket	EPDM Rubber	
Spring	Stainless Steel	AISI 304
Hinge Pin	Stainless Steel	AISI 304
Bolt	Stainless Steel	AISI 304
Lockmul	Stainless Steel	AISI 304
Plug 1/4" NPT	Carbon Steel	
Plug 1/2" NPT	Carbon Steel	

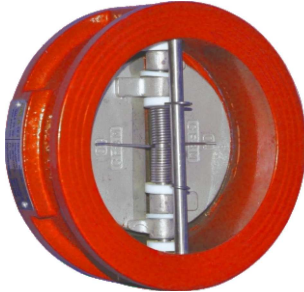
Dimensions(mm/inch)

SIZE	mm	50	65	80	100	125	150	200
	inch	2	2½	3	4	5	6	8
L	mm	169	183	198	218	248	270	325
	inch	6.65	7.20	7.80	8.58	9.76	10.63	12.80
OD	mm	60.3	73.0/76.1	88.9	114.3	139.7/141.3	165.1/168.3	219.1

Check Valve

Resilient Seated Wafer Ends

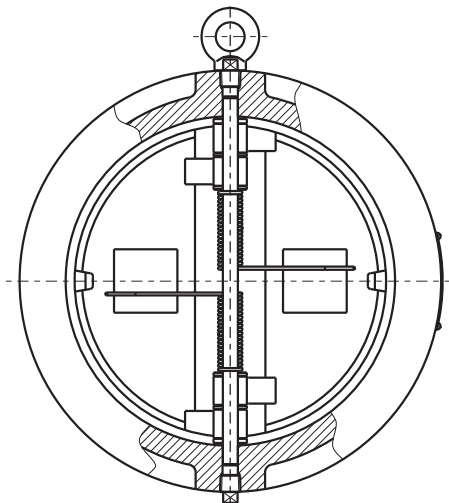
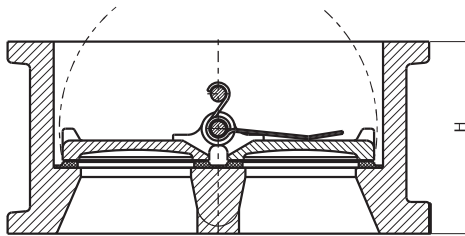
Fig. 50W-300
50W-250
50W-200



Valve Standard
Conforms to API 594

Working pressure
200PSI / 250PSI / 300PSI

Flanged Ends
ANSI B16.1 Class125/150



Materials List

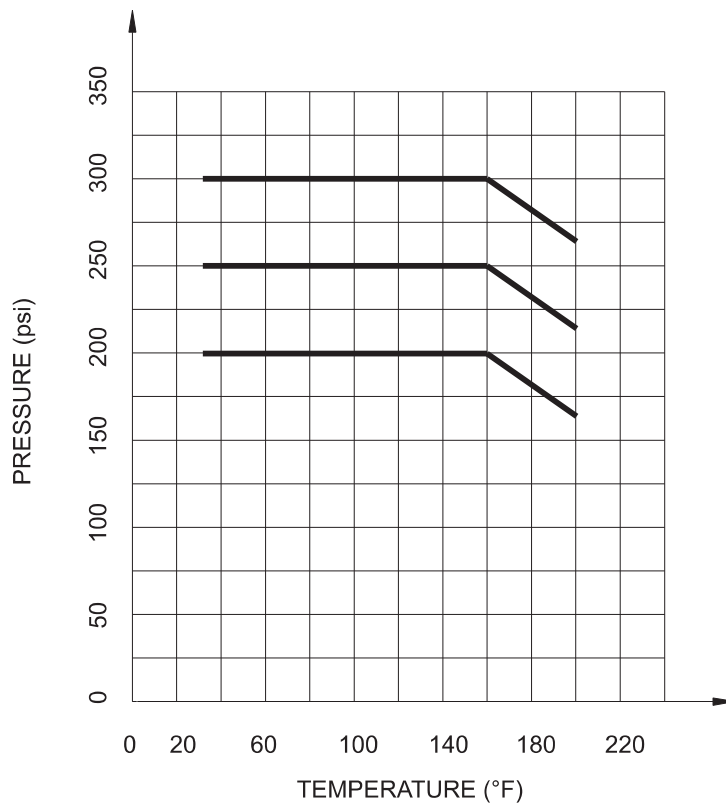
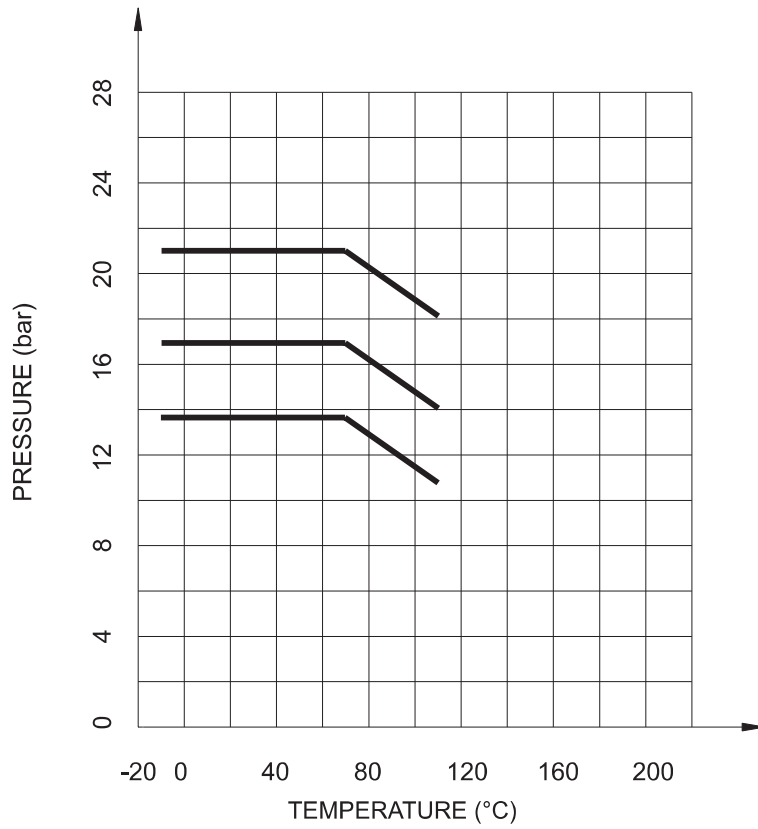
Part	Material	ASTM Spec.
Body	Cast Iron	A126 Class B
	Ductile Iron	A536 65-45-12
Disc	Ductile Iron	A536 65-45-12
	Aluminum Bronze	B584 C95400
	Stainless Steel	A351 CF8
	Stainless Steel	A351 CF8M
Stem	Stainless Steel	AISI 316
Seat-Ring	EPDM / NBR	Commercial
Spring	Stainless Steel	AISI 316
	Stainless Steel	AISI 304

Dimensions(mm/inch)

SIZE	mm	50	65	80	100	125	150	200	250	300
	inch	2	2½	3	4	5	6	8	10	12
H	mm	54	60	67	67	83	95	127	140	181
	inch	2.13	2.36	2.64	2.64	3.27	3.74	5.00	5.51	7.13

Check Valve

Pressure-Temperature Chart



Y Strainer

Flange-Flange Ends

Fig. 70FF-300
70FF-250
70FF-200



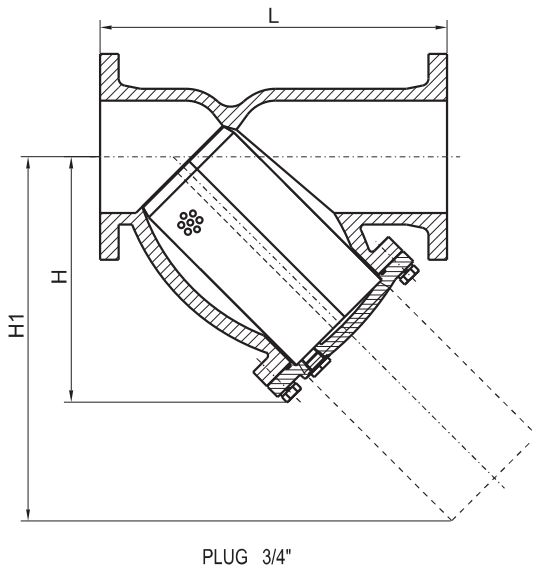
Working pressure
200PSI / 250PSI / 300PSI



Flanged Ends
ANSI B16.1 Class125/150/250,
EN1092-2 PN10/PN16/PN25
BS10 Table D/Table E

Materials List

Component	Material	Specification
Body	Ductile Iron	A536 65-45-12
Cover	Ductile Iron	A536 65-45-12
Screen	Stainless Steel	AISI 304
Gasket	EPDM	
Plug	Carbon Steel	



Dimensions(mm/inch)

SIZE	mm	50	65	80	100	125	150	200	250	300
	inch	2	2½	3	4	5	6	8	10	12
L	mm	203	254	260	308	398	472	550	654	762
	inch	7.99	10	10.24	12.13	15.67	18.58	21.65	25.75	30
H	mm	132	158	175	202	290	334	391	460	590
	inch	5.20	6.22	6.89	7.99	11.42	13.15	15.39	18.11	23.23
H1	mm	195	240	270	320	425	495	570	700	840
	inch	7.68	9.45	10.63	12.60	16.73	19.49	22.44	27.56	33.07

Y Strainer

Flange-Groove Ends

Fig. 70FG-300
70FG-250
70FG-200

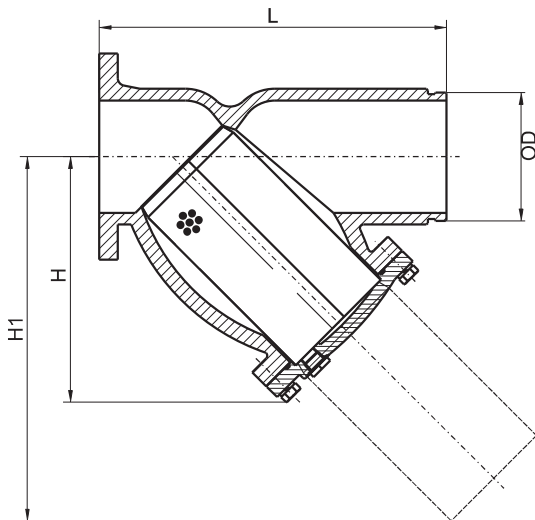


Working pressure
200PSI / 250PSI / 300PSI

Flanged Ends
ANSI B16.1 Class125/150/250,
EN1092-2 PN10/PN16/PN25
BS10 Table D/Table E
AWWA C 606
VDS2100/AS2638.2

Materials List

Component	Material	Specification
Body	Ductile Iron	A536 65-45-12
Cover	Ductile Iron	A536 65-45-12
Screen	Stainless Steel	AISI 304
Gasket	EPDM	
Plug	Carbon Steel	



PLUG 3/4"

Dimensions(mm/inch)

SIZE	mm	50	65	80	100	125	150	200	250	300
	inch	2	2½	3	4	5	6	8	10	12
L	mm	203	254	260	308	398	472	550	654	762
	inch	8	10	10.24	12.13	15.67	18.58	21.65	25.75	30
H	mm	130	158	175	202	290	334	391	460	590
	inch	5.12	6.22	6.89	7.95	11.42	13.15	15.39	18.11	23.23
H1	mm	195	240	270	320	425	495	570	700	840
	inch	7.68	9.45	10.63	12.60	16.73	19.49	22.44	27.56	33.07
OD	mm	60.3	73.0/76.1	88.9	114.3	139.7/141.3	165.1/168.3	219.1	273	323.9
	inch	2.37	2.87/3	3.50	4.5	5.5/5.56	6.5/6.63	8.63	10.75	12.75

Y Strainer

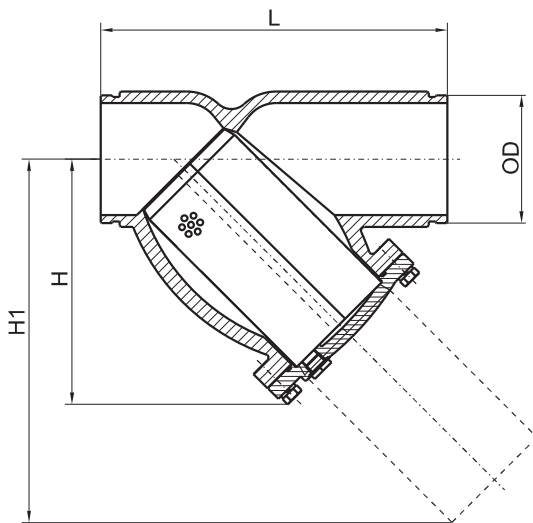
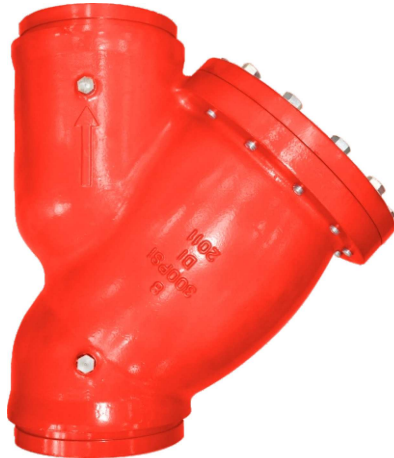
Groove-Groove Ends

Fig. 70GG-300
70GG-250
70GG-200



Working pressure
200PSI / 250PSI / 300PSI

Flanged Ends
AWWA C 606
VDS2100/AS2638.2



PLUG 3/4"

Dimensions(mm/inch)

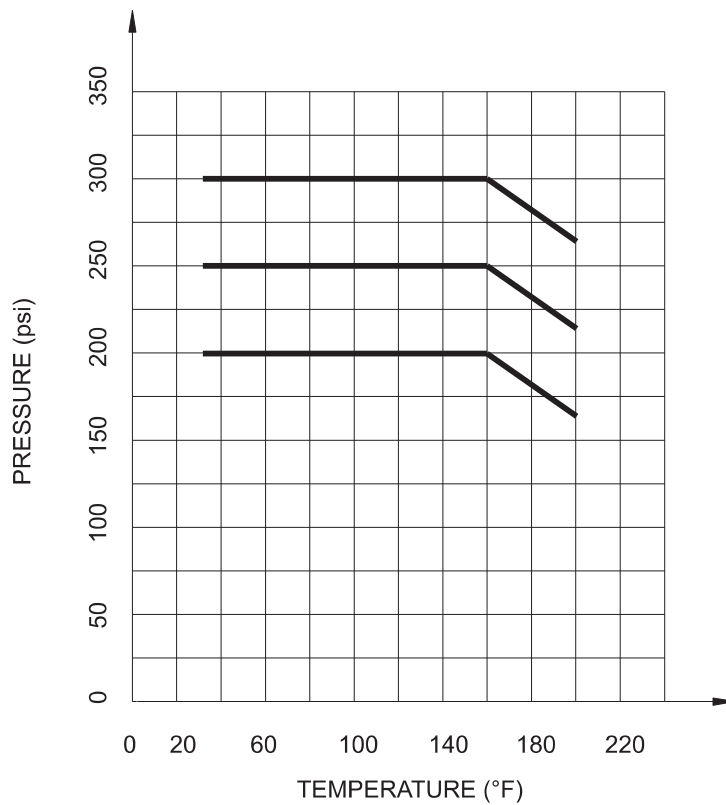
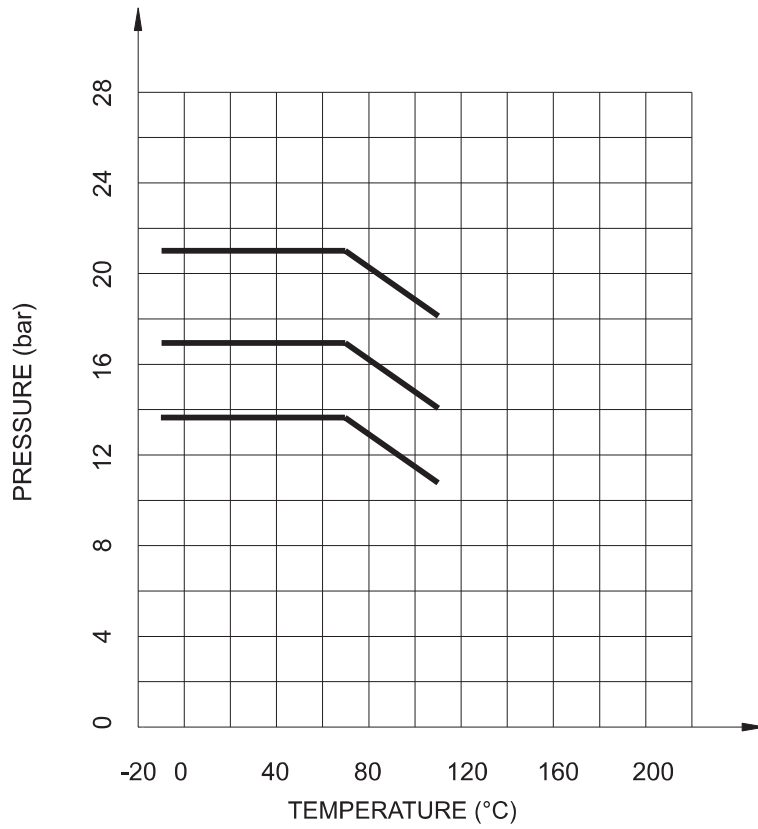
SIZE	mm	50	65	80	100	125	150	200	250	300
	inch	2	2½	3	4	5	6	8	10	12
L	mm	230	254	272.4	308	398	472	550	654	762
	inch	9.06	10	10.71	12.13	15.67	18.58	21.65	25.75	30
H	mm	130	158	175	202	290	334	391	460	590
	inch	5.12	6.22	6.89	8	11.42	13.15	15.39	18.11	23.23
H1	mm	195	240	270	320	425	495	570	700	840
	inch	7.68	9.45	10.63	12.60	16.73	19.49	22.44	27.56	33.07
OD	mm	60.3	73.0/76.1	88.9	114.3	139.7/141.3	165.1/168.3	219.1	273	323.9
	inch	2.37	2.87/3	3.50	4.5	5.5/5.56	6.5/6.63	8.63	10.75	12.75

Materials List

Component	Material	Specification
Body	Ductile Iron	A536 65-45-12
Cover	Ductile Iron	A536 65-45-12
Screen	Stainless Steel	AISI 304
Gasket	EPDM	
Plug	Carbon Steel	

Y Strainer

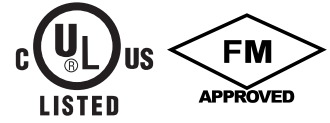
Pressure-Temperature Chart



Butterfly Valve

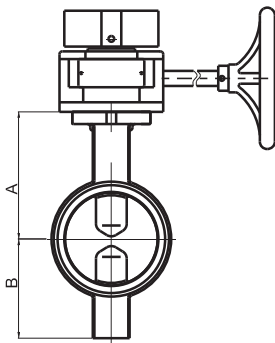
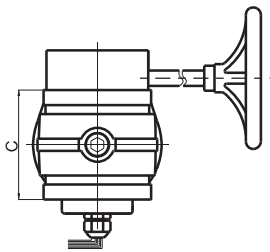
Resilient Seated Grooved Ends

Fig. 20GG-300



Working pressure
300PSI

Flanged Ends
AWWA C 606
VDS2100/AS2638.2



Materials List

Component	Material	Specification
Body	Ductile Iron	A536 65-45-12
Disc	Ductile Iron EPDM Coated	
Upper&Lower Stems	Stainless Steel	AISI 410
Worn Gear Shaft	Stainless Steel	AISI 410
Housing	Cast Iron	A126 B
Hand Wheel	Ductile Iron	A536 65- 45-12B
Flag indicator	Cast Iron	A126 B
Segment Gear	Ductile Iron	A536 65- 45-12
Housing Gasket	EPDM Grade"E"	
O-Rings(All)	EPDM Grade"E"	

Dimensions(mm/inch)

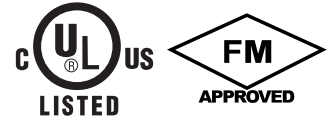
SIZE	mm	65	80	100	125	150	200	250
	inch	2½	3	4	5	6	8	10
A	mm	96	105	135	148	165	204	245
	inch	3.78	4.13	5.31	5.83	6.50	8.03	9.65
B	mm	75	90	110	127	145	175	210
	inch	2.95	3.54	4.33	5.00	5.71	6.89	8.27
C	mm	98	98	116	149	149	134	160
	inch	3.86	3.86	4.57	5.87	5.87	5.28	6.30
OD	mm	73.0/76.1	88.9	114.3	139.7/141.3	165.1/168.3	219.1	273
	inch	2.87/3	3.50	4.50	5.5/5.56	6.5/6.63	8.63	10.75

Factory installed UL, listed double Tamper Switches For indoor and Outdoor Use.

Butterfly Valve

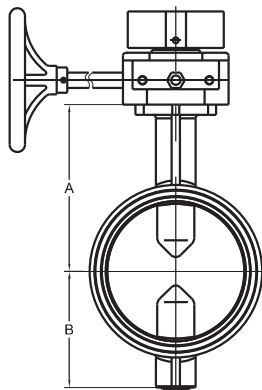
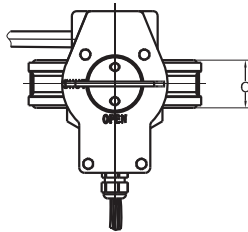
Resilient Seated Wafer Ends

Fig.25W-300
25W-250
25W-200



Working pressure
200PSI / 250PSI / 300PSI

Flanged Ends
ANSI B16.1 Class125/150
EN1092-2 PN10/PN16/PN25



Materials List

Component	Material	Specification
Body	Ductile Iron	A536 65-45-12
Disc	Ductile Iron EPDM Coated	
Upper&Lower Stems	Stainless Steel	AISI 410
Worn Gear Shaft	Stainless Steel	AISI 410
Housing	Cast Iron	A126 B
Hand Wheel	Ductile Iron	A536 65- 45-12B
O-Rings(All)	EPDM Grade"E"	

Dimensions(mm/inch)

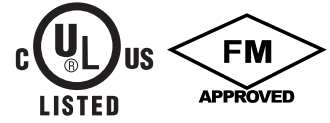
SIZE	mm	50	65	80	100	125	150	200	250	300
	inch	2	2½	3	4	5	6	8	10	12
A	mm	141	153	158	176	191	203	244	273	311
	inch	5.55	6.02	6.22	6.93	7.52	7.99	9.61	10.75	12.24
B	mm	78	78	85	105	128	140	170	205	258
	inch	3.07	3.07	3.35	4.13	5.04	5.51	6.69	8.07	10.16
C	mm	43	46	46	52	56	56	62	68	78
	inch	1.69	1.81	1.81	2.05	2.20	2.20	2.44	2.68	3.07

Factory installed UL, listed double Tamper Switches For indoor and Outdoor Use.

Butterfly Valve

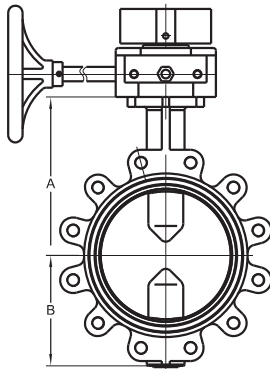
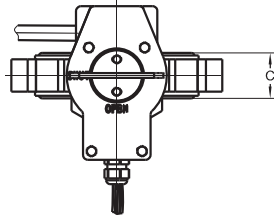
Resilient Seated Lug Ends

Fig.25L-200
25L-250
25L-300



Working pressure
200PSI / 250PSI / 300PSI

Flanged Ends
ANSI B16.1 Class125/150,
EN1092-2 PN16



Materials List

Component	Material	Specification
Body	Ductile Iron	A536 65-45-12
Disc	Ductile Iron EPDM Coated	
Upper&Lower Stems	Stainless Steel	AISI 410
Worn Gear Shaft	Stainless Steel	AISI 410
Housing	Cast Iron	A126 B
Hand Wheel	Ductile Iron	A536 65- 45-12B
O-Rings(All)	EPDM Grade"E"	

Dimensions(mm/inch)

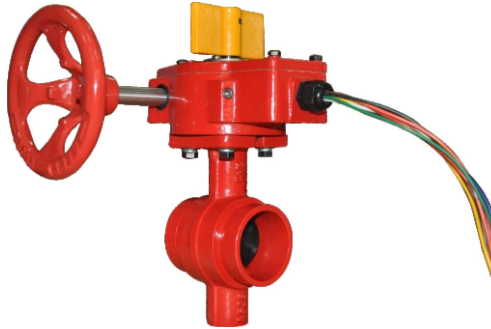
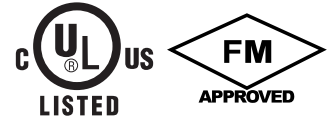
SIZE	mm	50	65	80	100	125	150	200	250	300
	inch	2	2½	3	4	5	6	8	10	12
A	mm	141	153	158	176	191	203	244	273	311
	inch	5.55	6.02	6.22	6.93	7.52	7.99	9.61	10.75	12.24
B	mm	78	78	85	105	128	140	170	205	258
	inch	3.07	3.07	3.35	4.13	5.04	5.51	6.69	8.07	10.16
C	mm	43	46	46	52	56	56	62	68	78
	inch	1.69	1.81	1.81	2.05	2.20	2.20	2.44	2.68	3.07

Factory installed UL, listed double Tamper Switches For indoor and Outdoor Use.

Butterfly Valve

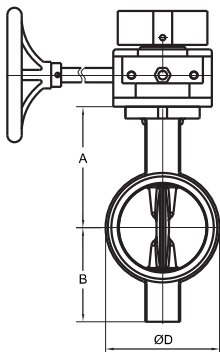
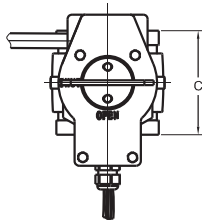
Resilient Seated Grooved Ends

Fig. 25GG-200
25GG-250
25GG-300



Working pressure
200PSI / 250PSI / 300PSI

Connection Ends
AWWA C606/GB/T 8260
VDS2100/AS2638.2



Materials List

Component	Material	Specification
Body	Ductile Iron	A536 65-45-12
Disc	Ductile Iron EPDM Coated	
Upper&Lower Stems	Stainless Steel	AISI 410
Worn Gear Shaft	Stainless Steel	AISI 410
Housing	Cast Iron	A126 B
Hand Wheel	Ductile Iron	A536 65- 45-12B
O-Rings(All)	EPDM Grade"E"	

Dimensions(mm/inch)

SIZE	mm	50	65	80	100	125	150	200	250	300
	inch	2	2½	3	4	5	6	8	10	12
A	mm	95	98	105	135	148	165	204	245	277.5
	inch	3.74	3.87	4.13	5.31	5.83	6.50	8.03	9.65	10.93
B	mm	78	78	85	105	128	140	170	205	258
	inch	3.07	3.07	3.35	4.13	5.04	5.51	6.69	8.07	10.16
C	mm	84.5	98	98	116	149	147.6	134	160	165
	inch	3.33	3.86	3.86	4.57	5.87	5.81	5.28	6.30	6.50
ØD	mm	72	88	98	127	156	185	235	292	323.85
	inch	2.83	3.46	3.86	5.00	6.14	7.28	9.25	11.49	12.75

Factory installed UL, listed double Tamper Switches For indoor and Outdoor Use.

Air Release Valve

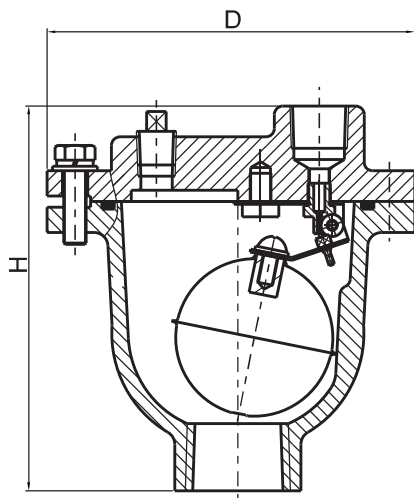
Screwed

Fig. 9712



Working pressure
200PSI

Connection Ends
NPT/BSPT/BSPP



Materials List

Part	Material	ASTM Spec.
Body	Ductile Iron	A536 65-45-12
Cover	Ductile Iron	A536 65-45-12
Level	Stainless Steel	AISI 304
Seat Ring	Stainless Steel	AISI 304
Float	Stainless Steel	AISI 304
Float Arm	Stainless Steel	AISI 304
Orifice Button	Viton	Commercial

Dimensions

DN		Inlet	Outle	Orifice	D	H
mm	inch					
15	1/2	15	15	1.6	125	137
20	3/4	20	15	1.6	125	137
25	1	25	15	1.6	125	137

Supervisory Switch

POTTER Brand

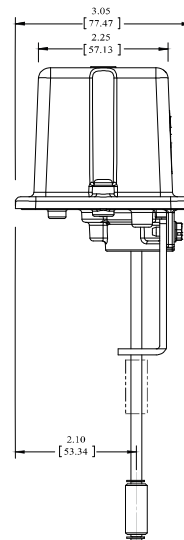
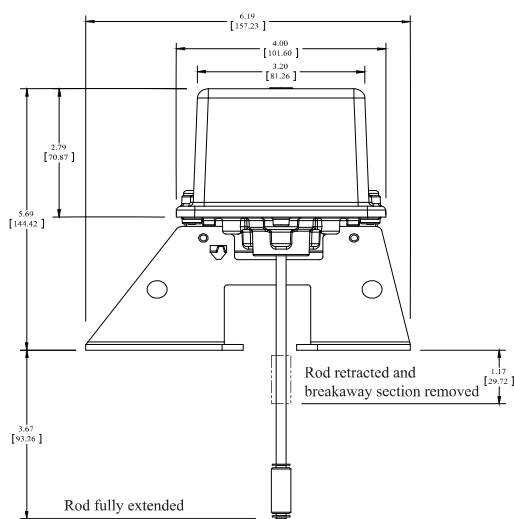
Fig. OSYSU-1
OSYSU-2



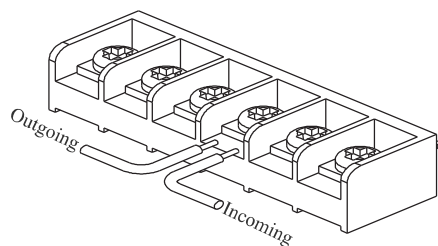
Description

The manufactured by Potter Electric Signal Company LLC OSYSU is used to monitor the open position of an OS&Y (outside screw and yoke) type gate valve. This device is available in two models; the OSYSU-1, containing one set of SPDT (Form C) contacts and the OSYSU-2, containing two sets of SPDT (Form C) contacts. These switches mount conveniently to most OS&Y valves ranging in size from 2" to 12" (50mm to 300mm). They will mount on some valves as small as 1/2" (12,5mm). The cover is held in place by two tamper resistant screws that require a special tool to remove. The tool is furnished with each device.

Materials List



Switch Terminal Connections Clamping Plate Terminal



Typical Electrical Connections

