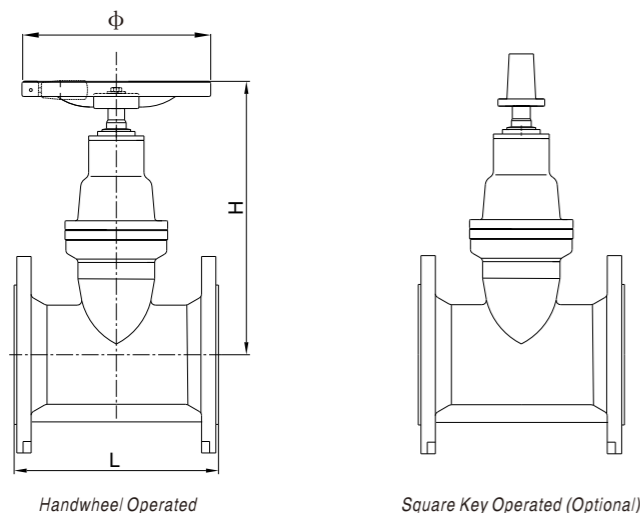


Fig.3249
NRS Resilient Seat Gate Valve

Material List

No.	Part Name	Material	Specification
1	Body	Ductile Iron	QT450-10
2	Disc	Ductile Iron+EPDM/NBR	QT450-10+EPDM
3	Stem	Stainless Steel	A276 410
4	Stem Nut	Brass	Hm58-2-2
5	Bonnet	Ductile Iron	QT450-10
6	Hexagon Bolt	Carbon Steel	-
7	O-Ring	EPDM/NBR	-
8	Handwheel	Ductile Iron	QT450-10



• Features

1. Handwheel or removable square key operated
2. Full bore ports avoids the ingress of debris
3. Fully encapsulated rubber disc
4. Integral stem nut ensuring stem fixing and corrosion prevention

• Design Standard

BS 5163 TypeA

• Working Pressure

16 Bar

• Flange Connection

ASME Class125/Class 150
BSEN1092-2 PN10/PN16
AS2129 Table D/Table E
JISB2239 10K/16K

• Working Temperature

-20°C to 110°C (EPDM Seat)

• Coating

Blue(RAL5015)/Black(RAL9005)/Grey(RAL7016)
Customization Accepted

Dimensions (mm)

DN	50	65	80	100	125	150	200	250	300	350	400	450	500	600
Inch	2"	2-1/2"	3"	4"	5"	6"	8"	10"	12"	14"	16"	18"	20"	24"
H	236	249	276	322	377	424	500	591	695	789	815	995	1100	1240
L	178	190	203	229	254	267	292	330	356	381	406	432	457	508
φ	160	160	180	200	250	250	300	350	400	500	500	500	600	600

Note: Information listed might be subject to change without notice due to continuing products development.

Fig.5309
Dual-Plate Wafer Check Valve

Material List

No.	Part Name	Material	Specification
1	Body	Cast Iron	A 126 Class B
		Ductile Iron	A536 Gr.65-45-12
2	Disc	Ductile Iron	A536 Gr.65-45-12
		Stainless Steel	A351 CF8
		Stainless Steel	A351 CF8M
		Stainless Steel	A276 410
3	Shaft	Stainless Steel	A276 304
		Stainless Steel	A276 316
		Stainless Steel	A276 304
		Stainless Steel	A276 316
4	Seat	EPDM/NBR	-
5	Spring	Stainless Steel	A276 304
		Stainless Steel	A276 316
6	Gasket	PTFE	-
7	Lifting Ring*	Carbon Steel	-

*Lifting ring is only for valve of 8" and above.



• Features

1. Spring loaded dual-plate pattern
2. Vulcanized seat

• Face to Face Standard

DIN 3202 K3

• Working Pressure

16 Bar

• Flange Connection

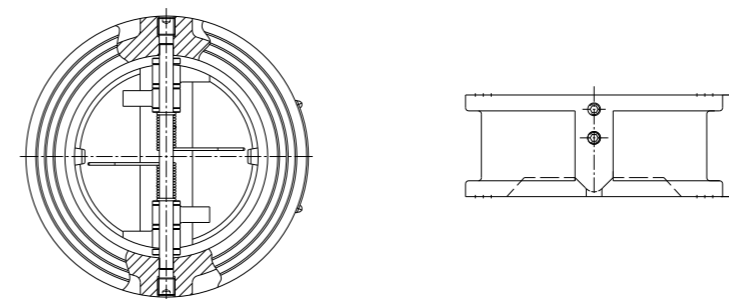
ASME Class125/Class 150
BSEN1092-2 PN10/PN16
AS2129 Table D/Table E
JISB2239 10K/16K

• Working Temperature

-20°C to 110°C (EPDM Seat)
-10°C to 80°C (NBR Seat)

• Coating

Blue(RAL5015)/Black(RAL9005)/Grey(RAL7016)
Customization Accepted



Dimensions (mm)

DN	50	65	80	100	125	150	200
Inch	2"	2-1/2"	3"	4"	5"	6"	8"
L	43	46	64	64	70	76	89
DN	250	300	350	400	450	500	600
Inch	10"	12"	14"	16"	18"	20"	24"
L	114	114	127	140	152	152	178

Cv Value

DN	50	65	80	100	125	150	200	250	300	350	400	450	500	600
Inch	2"	2-1/2"	3"	4"	5"	6"	8"	10"	12"	14"	16"	18"	20"	24"
Cv	79	120	226	404	695	1075	1920	3360	5320	6200	7650	9900	12700	19200

Cv is the flow rate of water in US gallons per minute of 60°F water, which passes through the valve with 1psi pressure drop across the valve.

Note: Information listed might be subject to change without notice due to continuing products development.