

FIRE PROTECTION PRODUCTS



Company Profile

GALA - Extends Business on a Global Perspective.

GALA company offers a wide range of products and systems in the field of valves, piping, and seismic isolation for applications ranging from equipment for office buildings, fire fighting, heating, water works, sewerage, marine, industrial to top fluid control. Our aim is meaningful contribution to society by providing comfort and safety through our products, technical skills and services!

GALA - Professional Manufacturer of Industrial Valves

GALA have variety products to meet customer demand of different valve. Designing, manufacture and sale of one-stop service is the company's core strengths.

GALA products cover the following industry area:

Water supply system, water treatment, food, chemical, cement, air-conditioning systems, industry engineering, nuclear power, papermaking, Petrochemical Industry, pharmaceutical, Powder Industry, steel industry, sugar refining, textiles and so on. GALA anti-pollution environmental protection industry is one of the major business. GALA provides various valve for wastewater processing and exhaust gas processing.

GALA have wide variety of industrial valves, including following main products:

- ◆ Fire Protection Valve
- ◆ Balancing Valve
- ◆ Butterfly Valve
- ◆ Gate Valve, Globe Valve, Check Valve, Ball Valve
- ◆ Strainer
- ◆ Flexible Rubber Joint
- ◆ Flexible Stainless Steel Hose, Expansion Joint

Other Valves and fittings are also available from GALA.

All products will be designed, manufactured and assembly by GALA.



CONTENTS

Gate Valve

322FF Resilient Seated NRS Type-Flanged Ends	1
322FG Resilient Seated NRS Type-Flange-Groove Ends	3
322GG Resilient Seated NRS Type-Groove-Groove Ends	4
322JJ Resilient Seated NRS Type-MJ-MJ Ends	5
322FJ Resilient Seated NRS Type-Flanged-MJ Ends	6
333FF Resilient Seated OS&Y Type-Flanged Ends	7
333FG Resilient Seated OS&Y Type-Flange-Groove Ends	9
333GG Resilient Seated OS&Y Type-Groove-Groove Ends	10
333JJ Resilient Seated OS&Y Type-MJ-MJ Ends	11
333FJ Resilient Seated OS&Y Type-Flanged-MJ Ends	12
Pressure-Temperature Chart	13

Indicator Post

G388 Indicator Post - Underground Type	14
G322 Indicator Post - Underground Type	15
W388 Indicator Post - Wall Type	16

Swing Check Valve

55FF Resilient Seated Flanged Ends	17
50GG Resilient Seated Grooved Ends	18
50GGP Resilient Seated Grooved Ends Riser (Shotgun)	19
50W Resilient Seated Wafer Ends	20
Pressure-Temperature Chart	21

Y Strainer

70FF Flanged Ends	22
70FG Flange-Groove Ends	23
70GG Groove-Groove Ends	24
Pressure-Temperature Chart	25

Butterfly Valve

25W Resilient Seated Wafer Ends	26
25L Resilient Seated Lug Ends	27
25GG Resilient Seated Grooved Ends	28
20GG/22G Resilient Seated Grooved Ends	29
20T/22T Resilient Seated Screwed Ends	30

Air Vent Valve

9712 Air Release Valve	31
------------------------	----

Fire Hydrant

Dry Barrel Fire Hydrant	32
Wet Barrel Fire Hydrant	33

Certificate

CERTIFICATE OF COMPLIANCE

Certificate Number: 20130703-EX16375
 Report Reference: EX16375-20130701
 Issue Date: 2013-JULY-03

Issued to: GALA RS INC
 SUITE 201
 11200 WESTHEIMER RD
 HOUSTON, TX, 77042, US

This is to certify that representative samples of STRAINERS, PIPELINE Strainers, basket type - 70FF-300, 70FG-300, 70GG-300, 70FF-250, 70FG-250, 70GG-250, 70FF-200, 70FG-200, 70GG-200.

Have been investigated by UL in accordance with the Standard(s) indicated on this Certificate.

Standard(s) for Safety: UL Subject 321 - Outline of Investigation for Pipeline Strainers.

Additional Information: See the UL Online Certifications Directory at www.ul.com/database for additional information.

Only those products bearing the UL Listing Mark should be considered as being covered by UL's Listing and Follow-Up Service. The UL Listing Mark generally includes the following elements: the symbol UL in a circle with the word "LISTED"; a control number (may be alphanumeric) assigned by UL; and the product category name (product identifier) as indicated in the appropriate UL Directory. Look for the UL Listing Mark on the product.

CERTIFICATE OF COMPLIANCE

Certificate Number: 20190506-EX15959
 Report Reference: EX15959-20121023
 Issue Date: 2019-MAY-06

Issued to: TIANJIN GALAXY VALVE CO LTD
 15 TIANHUA RD
 BALITAI INDUSTRIAL AREA
 JINNAN DISTRICT
 TIANJIN
 300350 CHINA

This certificate confirms that representative samples of CHECK VALVES See addendum page for models.

Have been investigated by UL in accordance with the Standard(s) indicated on this Certificate.

Standard(s) for Safety: UL 312 - Check Valves for Fire-Protection Service UL/ORD C312-07 - Check Valves for Fire-Protection Service

Additional Information: See the UL Online Certifications Directory at <https://q.ulprospector.com> for additional information.

This Certificate of Compliance does not provide authorization to apply the UL Mark. Only the UL Follow-Up Services Procedure provides authorization to apply the UL Mark. Only those products bearing the UL Mark should be considered as being UL Certified and covered under UL's Follow-Up Service. Look for the UL Certification Mark on the product.

Certificate of Compliance

This certificate is issued for the following:

AIR RELEASE VALVES

Model 9712
Sizes 1/2, 3/4 and 1 inch NPS

Prepared for:
 Gala RS Inc.
 11200 Westheimer, Suite 201
 Houston, TX 77042
 USA

FM Approvals Class: 1344 Air Release Valves 1/2 Inch through 1 Inch, dated January 2010
 Approval Identification: PR452028 Approval Granted: November 5, 2018

To verify the availability of the Approved product, please refer to www.approvalguide.com

Said Approval is subject to satisfactory field performance, continuing Surveillance Audits, and strict conformity to the constructions as shown in the Approval Guide, an online resource of FM Approvals.

David B. Fuller
 David B. Fuller
 VP, Manager - Fire Protection
 FM Approvals
 1151 Boston-Providence Turnpike
 Norwood, MA 02062 USA

Certificate of Compliance

This certificate is issued for the following:

OS&Y Gate Valve	Model 333
NRS Gate Valve	Model 322
Check Valve	Model 55FF

Prepared for:
 Gala RS Inc.
 11200 Westheimer, Suite 201
 Houston, TX 77042

FM Approvals Class: 1120/1130
 Approval Identification: 0003062711 Approval Granted: July 20, 2017

To verify the availability of the Approved product, please refer to www.approvalguide.com

Said Approval is subject to satisfactory field performance, continuing Surveillance Audits, and strict conformity to the constructions as shown in the Approval Guide, an online resource of FM Approvals.

David B. Fuller
 David B. Fuller
 VP, Manager - Fire Protection
 FM Approvals
 1151 Boston-Providence Turnpike
 Norwood, MA 02062 USA

Certificate of Compliance

This certificate is issued for the following:

OUTSIDE SCREW & YOKE TYPE (OS&Y) GATE VALVE
 MODELS 399FF-300, 399FF-250, 399FF-200, 399GG-300, 399GG-250, 399GG-200, 399FG-300, 399FG-250, 399FG-200

NON-RISING STEM TYPE (NRS) GATE VALVE
 MODELS 388FF-300, 388FF-250, 388FF-200, 388GG-300, 388GG-250, 388GG-200, 388FG-300, 388FG-250, 388FG-200

INDICATOR POST MODELS G388 AND W388

SWING CHECK VALVE MODELS 50FF -300, 50FF-250, 50FF-200

Prepared for:
 GALA RS Inc
 11200 Westheimer
 Suite 201
 Houston, TX 77042

FM Approvals Class: 1120/1130, 1110, 1210
 Approval Identification: 0003049247 Approval Granted: July 12, 2013

To verify the availability of the Approved product, please refer to www.approvalguide.com

Said Approval is subject to satisfactory field performance, continuing Surveillance Audits, and strict conformity to the constructions as shown in the Approval Guide, an online resource of FM Approvals.

Richard B. Duane
 Richard B. Duane
 Group Manager - Fire Protection
 FM Approvals
 1151 Boston-Providence Turnpike
 Norwood, MA 02062

August 7, 2013
 Date

Gate Valve

Resilient Seated NRS Type-Flanged Ends

Fig. 322FF-300
322FF-250
322FF-200



Valve Standard

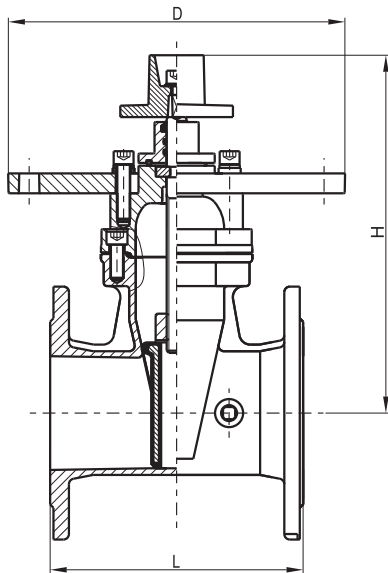
Conforms to AWWA C515 / BS5163
Fusion bonded coating comply with AWWA C550

Working pressure

200PSI / 250PSI / 300PSI

Connection Ends

ANSI B16.1 Class125/150
EN1092-2 PN16



Materials List

Part Name	Material	Specification
Body	Ductile Iron	A536 65-45-12
Wedge Disc	Ductile Iron EPDM Coated	
Disc Nut	Bronze	ASTM B62
Stem	Stainless Steel	AISI 304/420
Gasket	EPDM	Commercial
Bonnet	Ductile Iron	A536 65-45-12
Thrust Collar	Bronze	ASTM C51100
Gland	Ductile Iron	A536 65-45-12
Wrench Nut	Ductile Iron	A536 65-45-12
Post Plate	Ductile Iron	A536 65-45-12

Dimensions(mm/inch):

SIZE	mm	50	65	80	100	125	150	200	250	300
	inch	2	2 1/2	3	4	5	6	8	10	12
L	mm	178	191	203	229	254	267	292	330	356
	inch	7.00	7.50	8.00	9.00	10.00	10.50	11.50	13.00	14.00
H	mm	279	279	305	324	394	428	537	640	723
	inch	10.98	10.98	12.01	12.76	15.51	16.85	21.14	25.20	28.46
D	mm	305	305	305	305	305	305	305	305	305
	inch	12.01	12.01	12.01	12.01	12.01	12.01	12.01	12.01	12.01

Gate Valve

Resilient Seated NRS Type-Flanged Ends

Fig. 322FF-250(DN350-DN450)
322FF-200(DN500-DN600)



Valve Standard

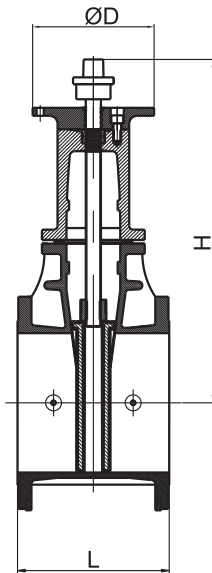
Conforms to AWWA C515 / BS5163
Fusion bonded coating comply with AWWA C550

Working pressure

200PSI / 250PSI

Connection Ends

ANSI B16.1 Class125/150



Materials List

Part Name	Material	Specification
Body	Ductile Iron	A536 65-45-12
Wedge Disc	Ductile Iron EPDM Coated	
Disc Nut	Bronze	ASTM B62
Stem	Stainless Steel	AISI 304/420
Gasket	EPDM	Commercial
Bonnet	Ductile Iron	A536 65-45-12
Thrust Collar	Bronze	ASTM C51100
Gland	Ductile Iron	A536 65-45-12
Wrench Nut	Ductile Iron	A536 65-45-12
Post Plate	Ductile Iron	A536 65-45-12

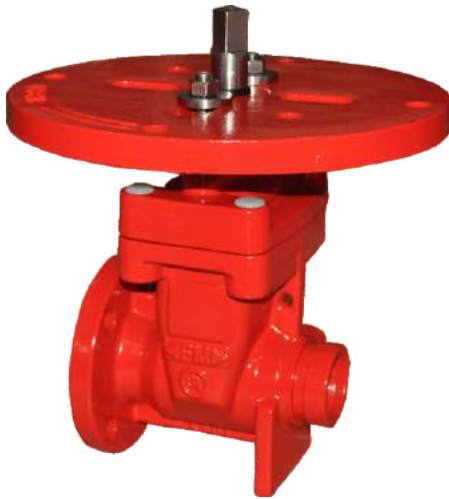
Dimensions(mm/inch):

SIZE	mm	350	400	450	500	600
	inch	14	16	18	20	24
L	mm	381	406	432	457	508
	inch	15.00	15.98	17.01	17.99	20.00
H	mm	862	938	1057	1142	1295
	inch	33.94	36.93	41.61	44.96	50.98
D	mm	305	305	305	305	305
	inch	12.01	12.01	12.01	12.01	12.01

Gate Valve

Resilient Seated NRS Type-Flange-Groove Ends

Fig. 322FG-300
322FG-250
322FG-200



Valve Standard

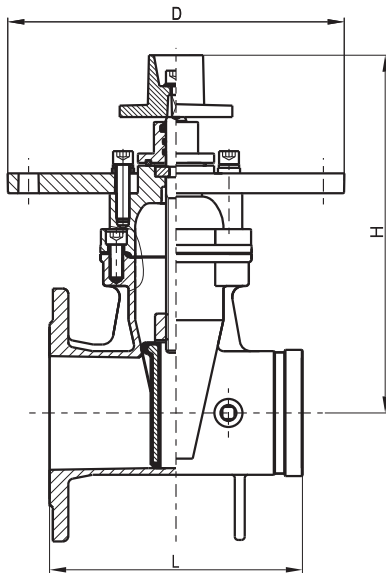
Conforms to AWWA C515 / BS5163
Fusion bonded coating comply with AWWA C550

Working pressure

200PSI / 250PSI / 300PSI

Connection Ends

ANSI B16.1 Class125/150
EN1092-2 PN16
AWWA C 606
VDS2100/AS2638.2



Materials List

Part Name	Material	Specification
Body	Ductile Iron	A536 65-45-12
Wedge Disc	Ductile Iron EPDM Coated	
Disc Nut	Bronze	ASTM B62
Stem	Stainless Steel	AISI 304/420
Gasket	EPDM	Commercial
Bonnet	Ductile Iron	A536 65-45-12
Thrust Collar	Bronze	ASTM C51100
Gland	Ductile Iron	A536 65-45-12
Wrench Nut	Ductile Iron	A536 65-45-12
Post Plate	Ductile Iron	A536 65-45-12

Dimensions(mm/inch):

SIZE	mm	50	65	80	100	125	150	200	250	300
	inch	2	2 1/2	3	4	5	6	8	10	12
L	mm	178	191	203	229	254	267	292	330	356
	inch	7.00	7.50	8.00	9.00	10.00	10.50	11.50	13.00	14.00
H	mm	279	279	305	324	394	428	537	640	723
	inch	10.98	10.98	12.01	12.76	15.51	16.85	21.14	25.20	28.46
D	mm	305	305	305	305	305	305	305	305	305
	inch	12.01	12.01	12.01	12.01	12.01	12.01	12.01	12.01	12.01

Gate Valve

Resilient Seated NRS Type-Groove-Groove Ends

Fig. 322GG-300
322GG-250
322GG-200



Valve Standard

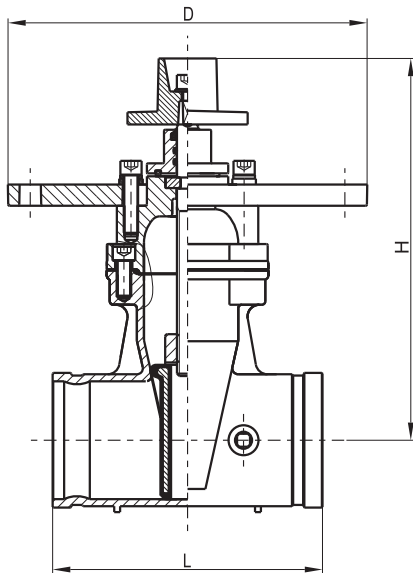
Conforms to AWWA C515 / BS5163
Fusion bonded coating comply with AWWA C550

Working pressure

200PSI / 250PSI / 300PSI

Connection Ends

AWWA C 606
VDS2100/AS2638.2



Materials List

Part Name	Material	Specification
Body	Ductile Iron	A536 65-45-12
Wedge Disc	Ductile Iron EPDM Coated	
Disc Nut	Bronze	ASTM B62
Stem	Stainless Steel	AISI 304/420
Gasket	EPDM	Commercial
Bonnet	Ductile Iron	A536 65-45-12
Thrust Collar	Bronze	ASTM C51100
Gland	Ductile Iron	A536 65-45-12
Wrench Nut	Ductile Iron	A536 65-45-12
Post Plate	Ductile Iron	A536 65-45-12

Dimensions(mm/inch):

SIZE	mm	50	65	80	100	125	150	200	250	300
	inch	2	2 1/2	3	4	5	6	8	10	12
L	mm	178	191	203	229	254	267	292	330	356
	inch	7.00	7.50	8.00	9.00	10.00	10.50	11.50	13.00	14.00
H	mm	279	279	305	324	394	428	537	640	723
	inch	10.98	10.98	12.01	12.76	15.51	16.85	21.14	25.20	28.46
D	mm	305	305	305	305	305	305	305	305	305
	inch	12.01	12.01	12.01	12.01	12.01	12.01	12.01	12.01	12.01

Gate Valve

Resilient Seated NRS Type-MJ-MJ Ends

Fig. 322JJ-300
322JJ-250
322JJ-200



Valve Standard

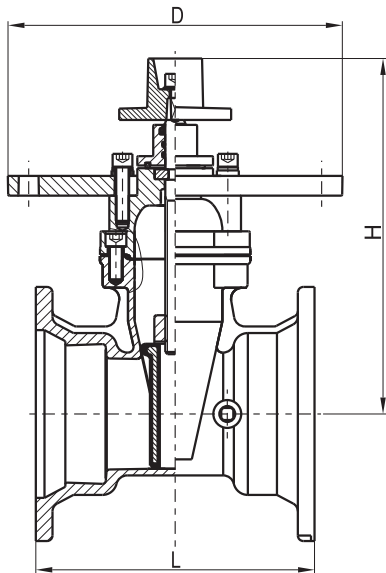
Conforms to AWWA C515 / BS5163
Fusion bonded coating comply with AWWA C550

Working pressure

200PSI / 250PSI / 300PSI

Connection Ends

AWWA C 153 / A21.11



Materials List

Part Name	Material	Specification
Body	Ductile Iron	A536 65-45-12
Wedge Disc	Ductile Iron EPDM Coated	
Disc Nut	Bronze	ASTM B62
Stem	Stainless Steel	AISI 304/420
Gasket	EPDM	Commercial
Bonnet	Ductile Iron	A536 65-45-12
Thrust Collar	Bronze	ASTM C51100
Gland	Ductile Iron	A536 65-45-12
Wrench Nut	Ductile Iron	A536 65-45-12
Post Plate	Ductile Iron	A536 65-45-12

Dimensions(mm/inch):

SIZE	mm	80	100	150	200	250	300
	inch	3	4	6	8	10	12
L	mm	241	254	292	318	375	378
	inch	9.49	10.00	11.50	12.52	14.76	14.88
H	mm	305	324	428	537	640	723
	inch	12.01	12.76	16.85	21.14	25.20	28.46
D	mm	305	305	305	305	305	305
	inch	12.01	12.01	12.01	12.01	12.01	12.01

Gate Valve

Resilient Seated NRS Type-Flanged-MJ Ends

Fig. 322FJ-300
322FJ-250
322FJ-200



Valve Standard

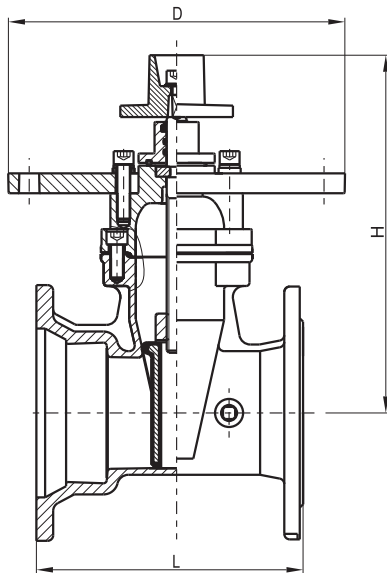
Conforms to AWWA C515 / BS5163
Fusion bonded coating comply with AWWA C550

Working pressure

200PSI / 250PSI / 300PSI

Connection Ends

AWWA C 153 / A21.11
ANSI B16.1 CLASS125/150
EN1092-2 PN16



Materials List

Part Name	Material	Specification
Body	Ductile Iron	A536 65-45-12
Wedge Disc	Ductile Iron EPDM Coated	
Disc Nut	Bronze	ASTM B62
Stem	Stainless Steel	AISI 304/420
Gasket	EPDM	Commercial
Bonnet	Ductile Iron	A536 65-45-12
Thrust Collar	Bronze	ASTM C51100
Gland	Ductile Iron	A536 65-45-12
Wrench Nut	Ductile Iron	A536 65-45-12
Post Plate	Ductile Iron	A536 65-45-12

Dimensions(mm/inch):

SIZE	mm	80	100	150	200	250	300
	inch	3	4	6	8	10	12
L	mm	222.0	241.5	279.5	305.0	352.5	367.0
	inch	8.74	9.51	11.00	12.01	13.88	14.45
H	mm	305	324	428	537	640	723
	inch	12.01	12.76	16.85	21.14	25.20	28.46
D	mm	305	305	305	305	305	305
	inch	12.01	12.01	12.01	12.01	12.01	12.01

Gate Valve

Resilient Seated OS&Y Type-Flanged Ends

Fig. 333FF-300
333FF-250
333FF-200



Valve Standard

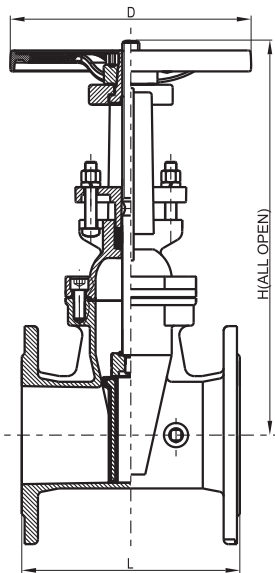
Conforms to AWWA C515 / BS5163
Fusion bonded coating comply with AWWA C550

Working pressure

200PSI / 250PSI / 300PSI

Connection Ends

ANSI B16.1 Class125/150
EN1092-2 PN16



Materials List

Part Name	Material	Specification
Body	Ductile Iron	A536 65-45-12
Wedge	Ductile Iron EPDM Coated	
Wedge Nut	Stainless Steel	AISI304
Stem	Stainless Steel	AISI 304/420
Bonnet	Ductile Iron	A536 65-45-12
Gasket	EPDM	Commercial
Packing	Graphite	Non-asbestos
Stem Nut	Bronze	ASTM B62
Handwheel	Ductile Iron	A536 65-45-12

Dimensions(mm/inch):

SIZE	mm	50	65	80	100	125	150	200	250	300
	inch	2	2 1/2	3	4	5	6	8	10	12
L	mm	178.0	191.0	203.0	229.0	254.0	267.0	292.0	330.0	356.0
	inch	7.00	7.50	8.00	9.00	10.00	10.50	11.50	13.00	14.00
H	mm	411	411	462	514	629	709	922	1116	1300
	inch	16.18	16.18	18.19	20.24	24.76	27.91	36.30	43.94	51.18
D	mm	183	183	253	253	306	306	355	445	445
	inch	7.20	7.20	9.96	9.96	12.05	12.05	13.98	17.52	17.52

Gate Valve

Resilient Seated OS&Y Type-Flanged Ends

Fig. 333FF-250(DN350-DN450)
333FF-200(DN500-DN600)



Valve Standard

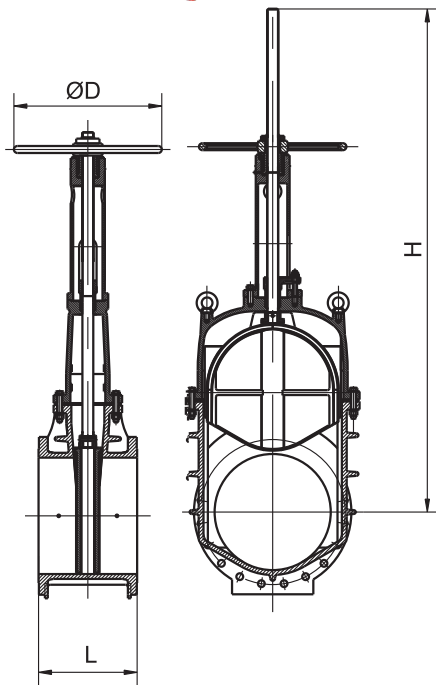
Conforms to AWWA C515 / BS5163
Fusion bonded coating comply with AWWA C550

Working pressure

200PSI / 250PSI

Connection Ends

ANSI B16.1 Class125/150
EN1092-2 PN16



Materials List

Part Name	Material	Specification
Body	Ductile Iron	A536 65-45-12
Wedge	Ductile Iron EPDM Coated	
Wedge Nut	Stainless Steel	AISI304
Stem	Stainless Steel	AISI 304/420
Bonnet	Ductile Iron	A536 65-45-12
Gasket	EPDM	Commercial
Packing	Graphite	Non-asbestos
Stem Nut	Bronze	ASTM B62
Handwheel	Ductile Iron	A536 65-45-12

Dimensions(mm/inch):

SIZE	mm	350	400	450	500	600
	inch	14	16	18	20	24
L	mm	381	406	432	457	508
	inch	15.00	15.98	17.01	17.99	20.00
H	mm	1577	1800	2048	2297	2600
	inch	62.09	70.87	80.63	90.43	102.36
D	mm	508	558	610	610	762
	inch	20.00	21.97	24.02	24.02	30.00

Gate Valve

Resilient Seated OS&Y Type-Flange-Groove Ends

Fig. 333FG-300
333FG-250
333FG-200



Valve Standard

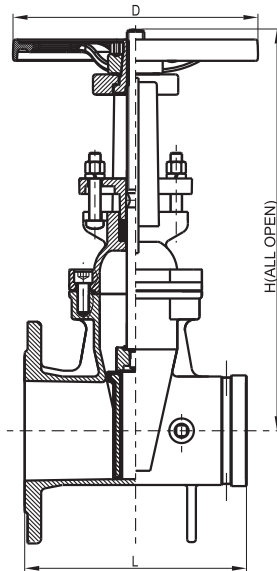
Conforms to AWWA C515 / BS5163
Fusion bonded coating comply with AWWA C550

Working pressure

200PSI / 250PSI / 300PSI

Connection Ends

ANSI B16.1 Class125/150
EN1092-2 PN16
AWWA C 606
VDS2100/AS2638.2



Materials List

Part Name	Material	Specification
Body	Ductile Iron	A536 65-45-12
Wedge	Ductile Iron EPDM Coated	
Wedge Nut	Stainless Steel	AISI304
Stem	Stainless Steel	AISI 304/420
Bonnet	Ductile Iron	A536 65-45-12
Gasket	EPDM	Commercial
Packing	Graphite	Non-asbestos
Stem Nut	Bronze	ASTM B62
Handwheel	Ductile Iron	A536 65-45-12

Dimensions(mm/inch):

SIZE	mm	50	65	80	100	125	150	200	250	300
	inch	2	2 1/2	3	4	5	6	8	10	12
L	mm	178.0	191.0	203.0	229.0	254.0	267.0	292.0	330.0	356.0
	inch	7.00	7.50	8.00	9.00	10.00	10.50	11.50	13.00	14.00
H	mm	411	411	462	514	629	709	922	1116	1300
	inch	16.18	16.18	18.19	20.24	24.76	27.91	36.30	43.94	51.18
D	mm	183	183	253	253	306	306	355	445	445
	inch	7.20	7.20	9.96	9.96	12.05	12.05	13.98	17.52	17.52

Gate Valve

Resilient Seated OS&Y Type-Groove-Groove Ends

Fig. 333GG-300
333GG-250
333GG-200



Valve Standard

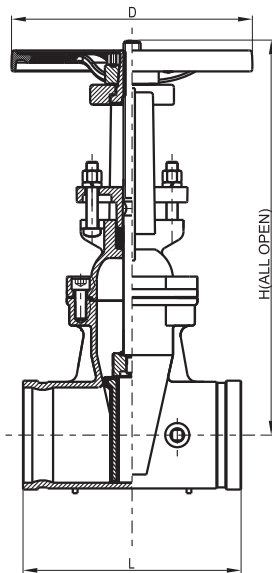
Conforms to AWWA C515 / BS5163
Fusion bonded coating comply with AWWA C550

Working pressure

200PSI / 250PSI / 300PSI

Connection Ends

AWWA C 606
VDS2100/AS2638.2



Materials List

Part Name	Material	Specification
Body	Ductile Iron	A536 65-45-12
Wedge	Ductile Iron EPDM Coated	
Wedge Nut	Stainless Steel	AISI304
Stem	Stainless Steel	AISI 304/420
Bonnet	Ductile Iron	A536 65-45-12
Gasket	EPDM	Commercial
Packing	Graphite	Non-asbestos
Stem Nut	Bronze	ASTM B62
Handwheel	Ductile Iron	A536 65-45-12

Dimensions(mm/inch):

SIZE	mm	50	65	80	100	125	150	200	250	300
	inch	2	2 1/2	3	4	5	6	8	10	12
L	mm	178.0	191.0	203.0	229.0	254.0	267.0	292.0	330.0	356.0
	inch	7.00	7.50	8.00	9.00	10.00	10.50	11.50	13.00	14.00
H	mm	411	411	462	514	629	709	922	1116	1300
	inch	16.18	16.18	18.19	20.24	24.76	27.91	36.30	43.94	51.18
D	mm	183	183	253	253	306	306	355	445	445
	inch	7.20	7.20	9.96	9.96	12.05	12.05	13.98	17.52	17.52

Gate Valve

Resilient Seated OS&Y Type-MJ-MJ Ends

Fig. 333JJ-300
333JJ-250
333JJ-200



Valve Standard

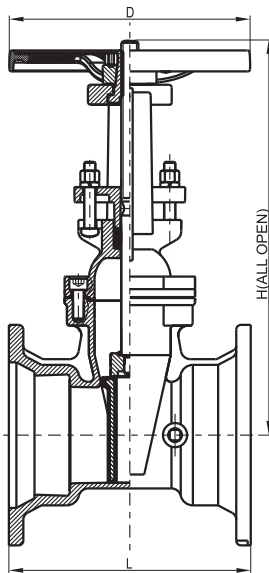
Conforms to AWWA C515 / BS5163
Fusion bonded coating comply with AWWA C550

Working pressure

200PSI / 250PSI / 300PSI

Connection Ends

AWWA C153/A21.11



Materials List

Part Name	Material	Specification
Body	Ductile Iron	A536 65-45-12
Wedge	Ductile Iron EPDM Coated	
Wedge Nut	Stainless Steel	AISI304
Stem	Stainless Steel	AISI 304/420
Bonnet	Ductile Iron	A536 65-45-12
Gasket	EPDM	Commercial
Packing	Graphite	Non-asbestos
Stem Nut	Bronze	ASTM B62
Handwheel	Ductile Iron	A536 65-45-12

Dimensions(mm/inch):

SIZE	mm	80	100	150	200	250	300
	inch	3	4	6	8	10	12
L	mm	241	254	292	318	375	378
	inch	9.49	10.00	11.50	12.52	14.76	14.88
H	mm	462	514	709	922	1116	1300
	inch	18.19	20.24	27.91	36.30	43.94	51.18
D	mm	253	253	306	355	445	445
	inch	9.96	9.96	12.05	13.98	17.52	17.52

Gate Valve

Resilient Seated OS&Y Type-Flanged-MJ Ends

Fig. 333FJ-300
333FJ-250
333FJ-200



Valve Standard

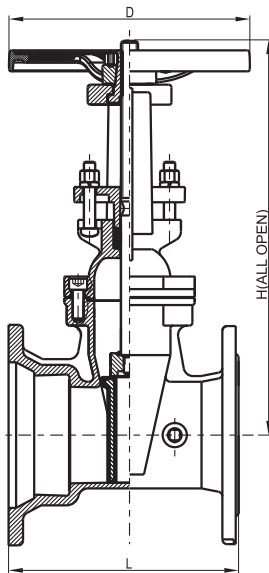
Conforms to AWWA C515 / BS5163
Fusion bonded coating comply with AWWA C550

Working pressure

200PSI / 250PSI / 300PSI

Connection Ends

AWWA C153/A21.11
ANSI B16.1 CLASS125/150
EN1092-2 PN16



Materials List

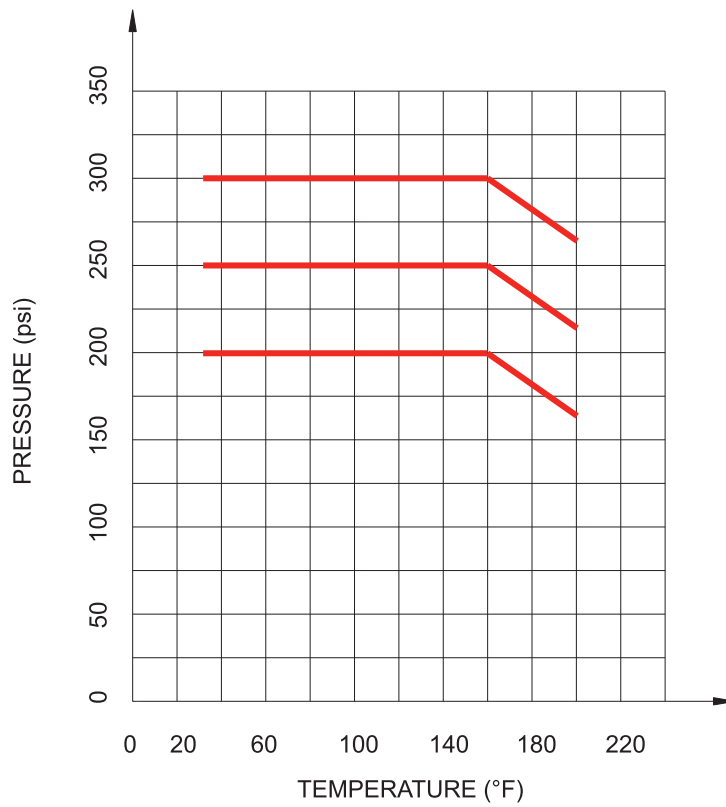
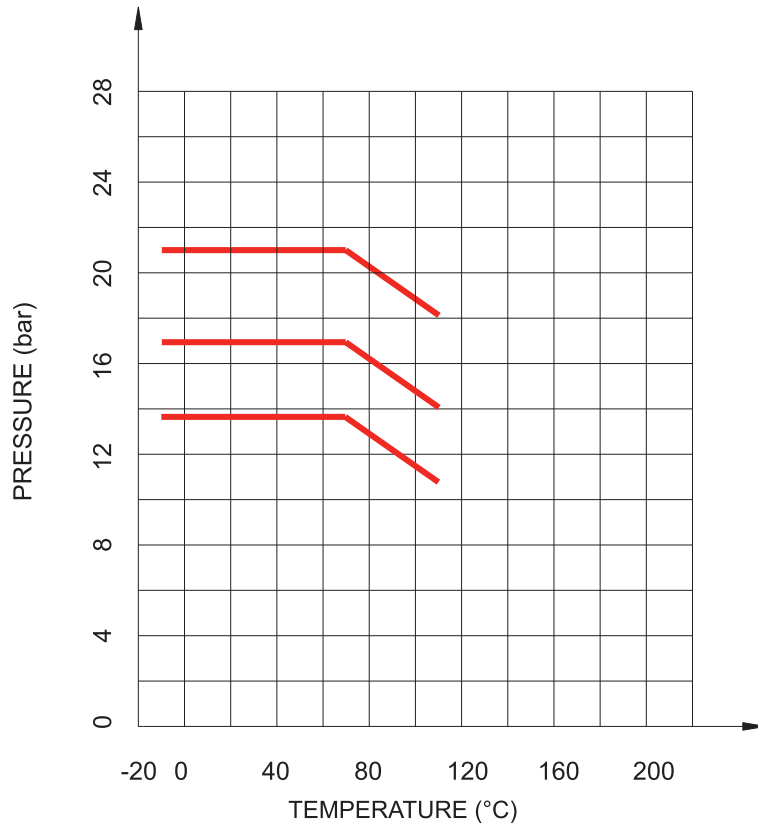
Part Name	Material	Specification
Body	Ductile Iron	A536 65-45-12
Wedge	Ductile Iron EPDM Coated	
Wedge Nut	Stainless Steel	AISI304
Stem	Stainless Steel	AISI 304/420
Bonnet	Ductile Iron	A536 65-45-12
Gasket	EPDM	Commercial
Packing	Graphite	Non-asbestos
Stem Nut	Bronze	ASTM B62
Handwheel	Ductile Iron	A536 65-45-12

Dimensions(mm/inch):

SIZE	mm	80	100	150	200	250	300
	inch	3	4	6	8	10	12
L	mm	222	241.5	279.5	305	352.5	367
	inch	8.74	9.51	11.00	12.01	13.88	14.45
H	mm	462	514	709	922	1116	1300
	inch	18.19	20.24	27.91	36.30	43.94	51.18
D	mm	253	253	306	355	445	445
	inch	9.96	9.96	12.05	13.98	17.52	17.52

Gate Valve

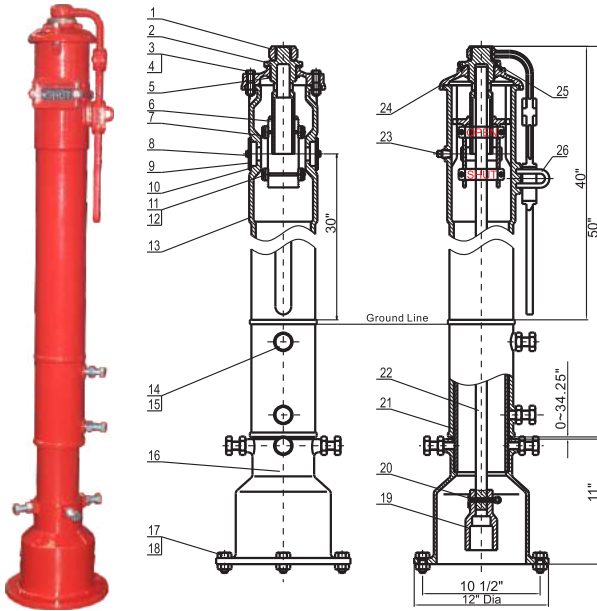
Pressure-Temperature Chart



Indicator Post

Indicator Post - Underground Type

Fig.G388



Materials List

DET	QTY.	Description	Material
1	1	Locking Wrench	ASTMA126B
2	1	Operating Nut	AISI 304/ASTM B62
3	2	Hex Nut Screw	ASTMA105
4	2	Hex Nut	ASTMA105
5	1	Snap Ring	AISI 066
6	1	Target Carrier Nut	AISI 304/ASTM B62
7	4	Target	ASTM B108
8	4	Hex Cap Screw	ASTMA105
9	2	Window Glass	LEXAN-UN
10	2	Window Glass Gasket	PTFE
11	4	Hex Cap Screw	ASTMA105
12	4	Hex Nut	ASTMA105
13	1	Body	ASTMA536
14	6	Hex Cap Screw	ASTMA105
15	6	Hex Nut	ASTMA105
16	1	Base Flange	ASTMA126B
17	4	Hex Cap Screw	ASTMA105
18	4	Hex Nut	ASTMA105
19	1	Crane Coupling	ASTMA536
20	1	Cotter Pin	AISI 304
21	1	Stand Pipe	ASTMA53
22	1	Stem	AISI 1045
23	1	Plug	AISI 304
24	1	Cover	ASTMA126B
25	1	Cross Recessed Countersunk Head Screw	AISI 304
26	1	Locking Nose	ASTM 307 B

Valve Standard

Fusion bonded coating comply with AWWA C550

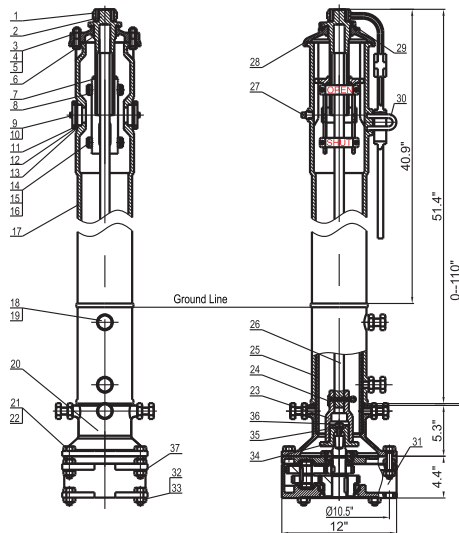
Field Adjustment:

1. Remove the top section from the top of the Indicator Post assembly.
2. Cut the required length off the bottom of the Standpipe for the Ground Line to match up with Standpipe Ground Line mark.
3. Set the "OPEN" and "SHUT" targets for the appropriate valve size.
4. Reattach the Top Section to the top of the Indicator Post assembly.
5. Design and dimensions are subject to change without notice

Indicator Post

Indicator Post - Underground Type

Fig.G322



Materials List

DET	QTY.	Description	Material
1	1	Locking Wrench	ASTM A536
2	1	Operating Nut	CF8/ASTM B62
3	2	Bolt	ASTM A105
4	2	Nut	ASTM A105
5	2	Flat Washer	ASTM A105
6	1	Shap Ring	AISI 606
7	1	Taget Carrier Nut	ASTM B62
8	4	Target	ASTM B108
9	4	Bolt	ASTM A105
10	4	Flat Washer	ASTM A105
11	2	Window Gland	ASTM A307B
12	2	Window Glass	LEXAN-UN STABILIZE
13	4	Gasket	EPDM
14	4	Bolt	ASTM A105
15	4	Spring Washer	ASTM A105
16	1	Nut	ASTM A105
17	6	Body	ASTM A536
18	6	Bolt	ASTM A105
19	1	Nut	ASTM A105
20	4	Base Flange	ASTM A126B
21	8	Bolt	ASTM A105
22	1	Nut	ASTM A105
23	1	Crane Coupling	ASTM A536
24	1	Cotter Pin	AISI 304
25	1	Stand Pipe	ASTM A536
26	1	Stem 1" Square	AISI 1045
27	1	Plug	AISI 304
28	1	Top Cover	ASTM A126B
29	1	Screw	AISI 304
30	1	Lock Nose	ASTM A307B
31	1	Reducer	PARTS
32	4	Bolt	ASTM A105
33	4	Nut	ASTM A105
34	1	Wrench Nut	ASTM A536
35	1	Washer	AISI 304
36	1	Hex. Socket Cap Screw	AISI 304
37	4	Spring Washer	AISI 304

Valve Standard

Fusion bonded coating comply with AWWA C550

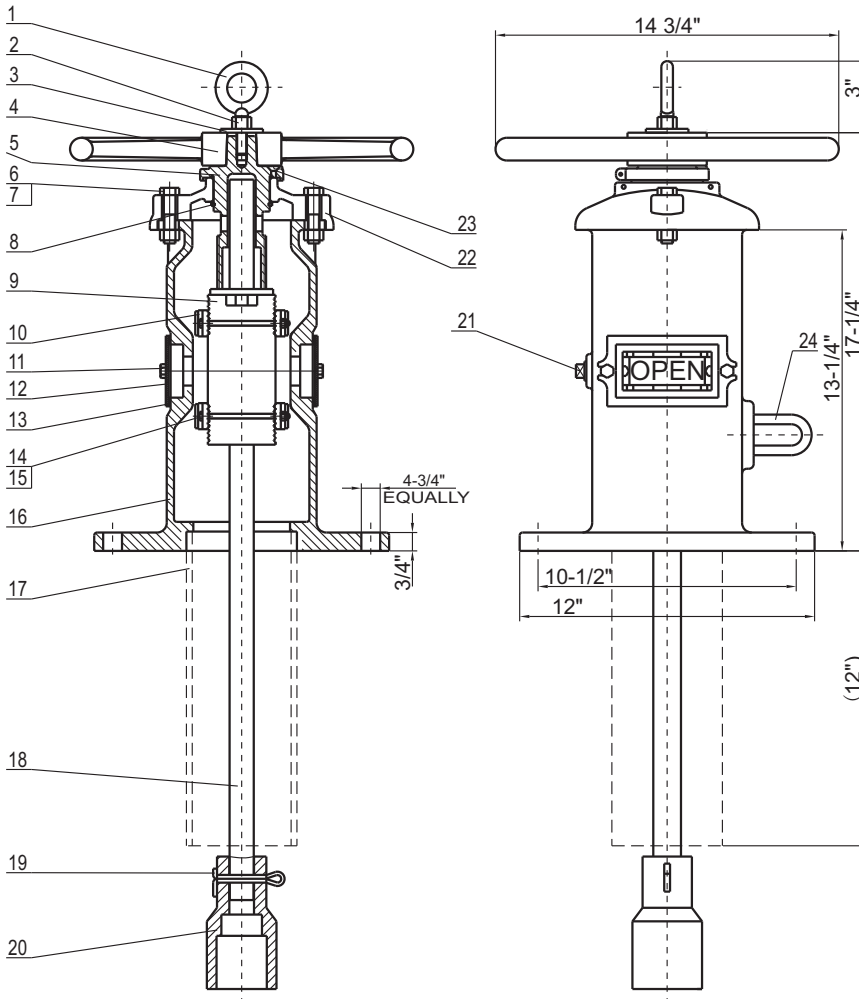
Field Adjustment:

1. Remove the top section from the top of the Indicator Post assembly.
2. Cut the required length off the bottom of the Standpipe for the Ground Line to match up with Standpipe Ground Line mark.
3. Set the "OPEN" and "SHUT" targets for the appropriate valve size.
4. Reattach the Top Section to the top of the Indicator Post assembly.
5. Design and dimensions are subject to change without notice

Indicator Post

Indicator Post - Wall Type

Fig.W388



Valve Standard:

Fusion bonded coating comply with AWWA C550.

Field Adjustment:

1. Remove the top section from the top of the Indicator Post assembly.
2. Set the "OPEN" and "SHUT" targets for the appropriate valves size.
3. Reattach the Top Section to the top of the Indicator Post assembly.
4. Design and materials are subject to change without notice.

Materials List

DET	QTY.	Description	Material	DET	QTY.	Description	Material
1	1	Lifting Eyey Bolt	ASTMA105	13	2	Window Glass Gasket	PTFE
2	1	Hex Nut	ASTMA105	14	4	Hex Cap Screw	ASTMA105
3	1	Washer	ASTMA105	15	4	Hex Nut	ASTMA105
4	1	Hand Wheel	ASTMA536	16	1	Body	ASTMA536
5	1	Operating Nut	ASTM B62/AISI 304	17	1	Stand Pipe	ASTM A53
6	2	Hex Cap Screw	ASTMA105	18	1	Stem	AISI 1045
7	2	Hex Nut	ASTMA105	19	1	Cotter Pin	AISI 304
8	1	Snap Ring	AISI 066	20	1	Crane Coupling	ASTMA536
9	1	Target Carrier Nut	ASTM B62/AISI 304	21	1	Plug	AISI 304
10	4	Target	ASTM B108	22	1	Cover	ASTMA126B
11	4	Hex Cap Screw	ASTMA105	23	1	Cross Recessed Countersunk Head Screw	AISI 304
12	2	Window Glass	LEXAN-UN	24	1	Locking Nose	ASTMA307B

Swing Check Valve

Resilient Seated Flanged Ends

Fig. 55FF-300
55FF-250
55FF-200



Valve Standard

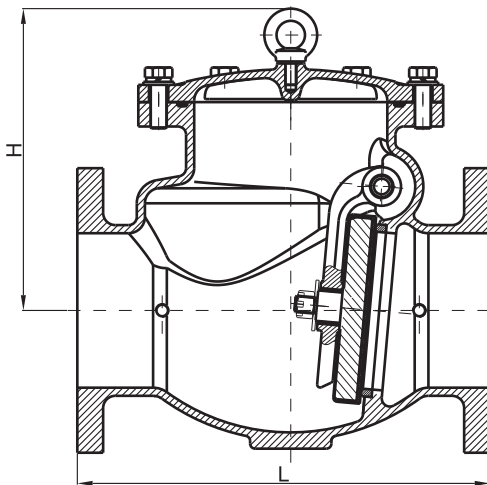
Conforms to AWWA C508, Clear Waterway
Fusion bonded coating comply with AWWA C550

Working pressure

200PSI / 250PSI / 300PSI

Flanged Ends

ANSI B16.1 Class125/150/250,
EN1092-2 PN10/PN16/PN25
BS10 Table D/Table E



Materials List

Part Name	Material	Specification
Body	Ductile Iron	ASTM A536 65-45-12
Cover	Ductile Iron	ASTM A536 65-45-12
Clapper	Carbon Steel	A36+SS304+EPDM
Clapper Arm	Ductile Iron	ASTM A536 65-45-12
Hinge Pin	Stainless Steel	AISI 304
Seat	Bronze	ASTM C84400

Dimensions(mm/inch)

SIZE	mm	50	65	80	100	125	150	200	250	300
	inch	2	2½	3	4	5	6	8	10	12
L	mm	203	254	279	330	356	406	495	559	660
	inch	8	10	11	13	14	16	19.5	22	26
H	mm	117	128	132.5	222.5	290	297	365	417.5	453
	inch	4.61	5.04	5.22	8.76	11.42	11.69	14.37	16.44	17.83

Swing Check Valve

Resilient Seated Grooved Ends

Fig. 50GG-365
50GG-300
50GG-250
50GG-200



Valve Standard

Fusion bonded coating comply with AWWA C550

Features

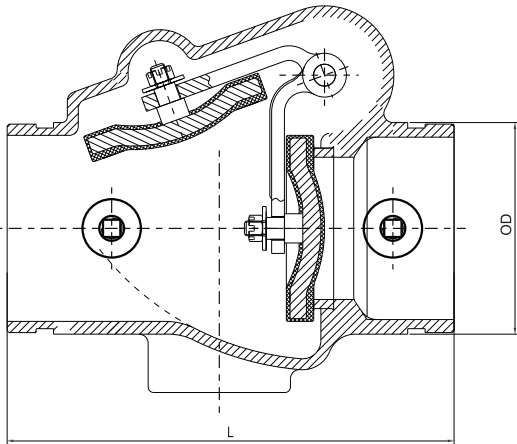
Can be installed horizontally or vertically (with upward flow)
Convenient to install and maintain
Low pressure drop

Working pressure

200PSI / 250PSI / 300PSI / 365PSI

Connection Ends

AWWA C 606
VDS2100/AS2638.2



Materials List

Part Name	Material	Specification
Body	Ductile Iron	ASTM A536 65-45-12
Seat	Bronze	ASTM B62 C83600
Clapper	Q235+SS304+EPDM	
Clapper Arm	Stainless Steel	ASTM A351 CF8
Washer	Stainless Steel	AISI 304
Hexagonal Slot Thin Nut	Stainless Steel	AISI 304
Split Pin	Stainless Steel	AISI 304

Dimensions(mm/inch)

SIZE	mm	50	65	80	100	125	150	200	250	300
	inch	2	2½	3	4	5	6	8	10	12
L	mm	169	203	213	245	267	292	356	432	495
OD	mm	60.3	73.0/76.1	88.9	114.3	139.7/141.3	165.1/168.3	219.1	273	323.85

Swing Check Valve

Resilient Seated Grooved Ends Riser (Shotgun)

Fig. 50GGP-365
50GGP-300
50GGP-250
50GGP-200



Valve Standard

Fusion bonded coating comply with AWWA C550

Features

Can be installed horizontally or vertically (with upward flow)
Convenient to install and maintain
Low pressure drop

Working pressure

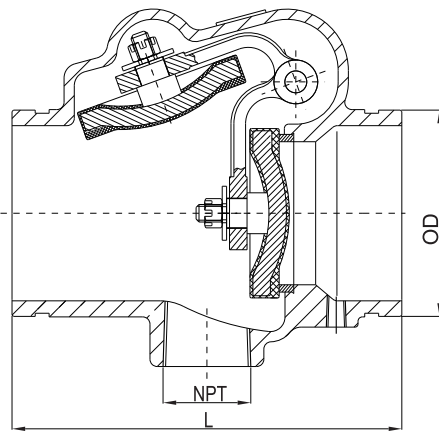
200PSI / 250PSI / 300PSI / 365PSI

Connection Ends

AWWA C 606
VDS2100/AS2638.2

Materials List

Part Name	Material	Specification
Body	Ductile Iron	ASTM A536 65-45-12
Seat	Bronze	ASTM B62 C83600
Clapper	Q235+SS304+EPDM	
Clapper Arm	Stainless Steel	ASTM A351 CF8
Washer	Stainless Steel	AISI 304
Hexagonal Slot Thin Nut	Stainless Steel	AISI 304
Split Pin	Stainless Steel	AISI 304



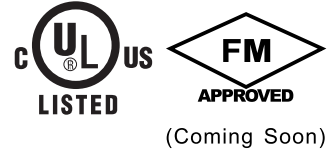
Dimensions(mm/inch)

SIZE	mm	50	65	80	100	125	150	200	250	300
	inch	2	2½	3	4	5	6	8	10	12
L	mm	169	203	213	245	267	292	356	432	495
OD	mm	60.3	73.0/76.1	88.9	114.3	139.7/141.3	165.1/168.3	219.1	273	323.85
NPT	inch	1	1¼	1¼	2	2	2	2	2	2

Check Valve

Resilient Seated Wafer Ends

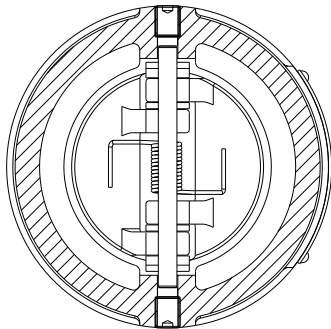
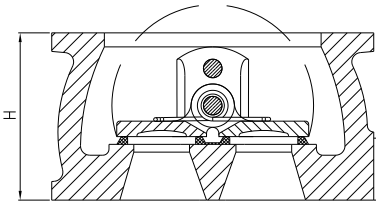
Fig. 50W-300
50W-250
50W-200
50W-175



Valve Standard
Conforms to API 594

Working Pressure
175PSI / 200PSI / 250PSI / 300PSI

Flanged Ends
ASME B16.1 Class125
BS EN 1092-2 PN10/16
JISB2239 10K (Only for DN50-DN80/2"-3")
AS2129 TableD/TableE (Only for DN100-DN300/4"-12")



Materials List

Part	Material	ASTM Spec.
Body	Ductile Iron	A536 65-45-12
	Aluminum Bronze	B584 C95400
Disc	Stainless Steel	A351 CF8
	Stainless Steel	A351 CF8M
Stem	Stainless Steel	AISI 304
	Stainless Steel	AISI 316
Seat-Ring	EPDM	Commercial
Spring	Stainless Steel	AISI 304
	Stainless Steel	AISI 316

Note:

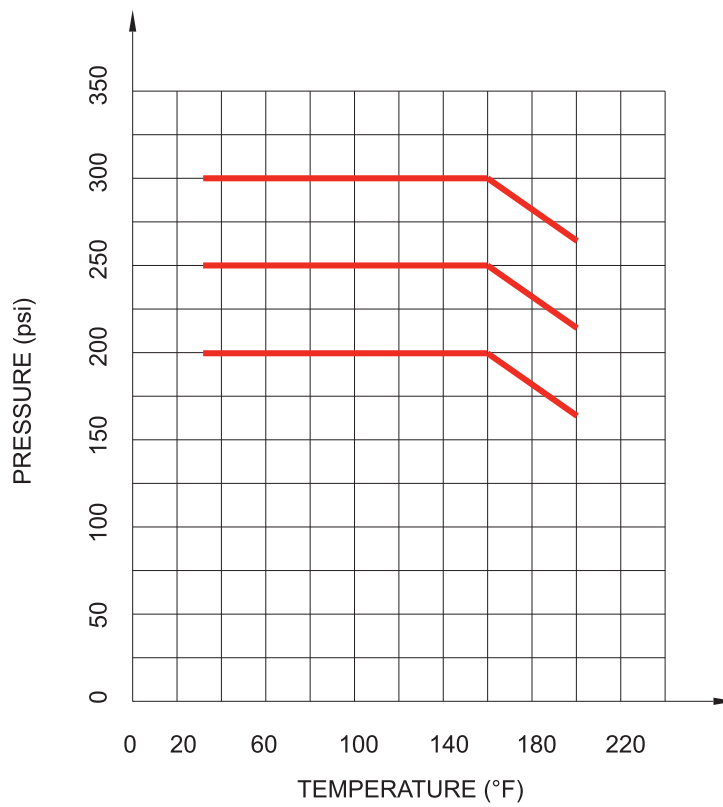
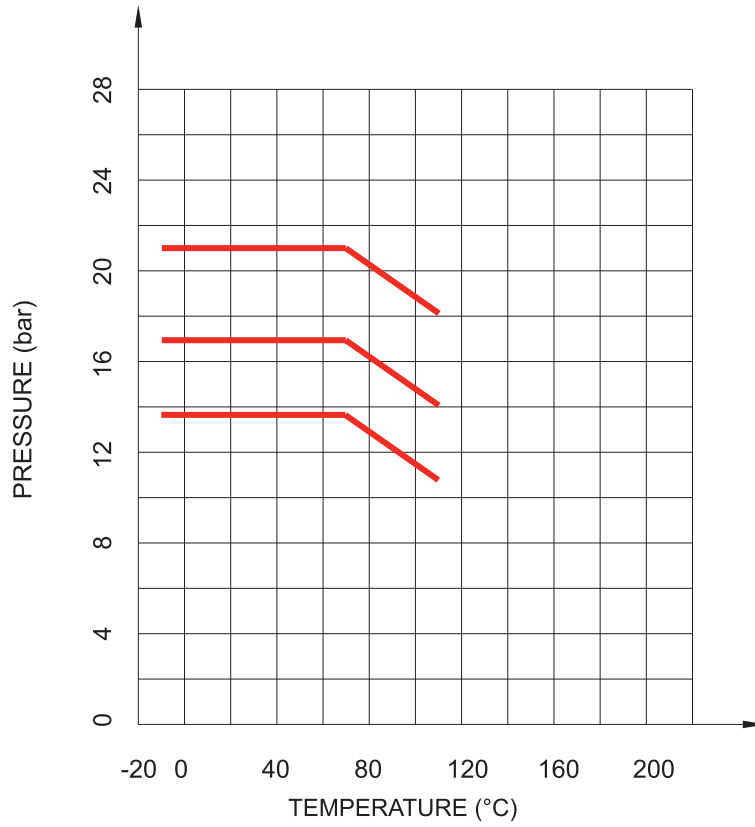
Lifting ring for DN200 (8") and above

Dimensions(mm/inch)

SIZE	mm	50	65	80	100	125	150	200	250	300
	inch	2	2½	3	4	5	6	8	10	12
H	mm	54	60	67	67	83	95	127	140	181
	inch	2.13	2.36	2.64	2.64	3.27	3.74	5.00	5.51	7.13

Check Valve

Pressure-Temperature Chart



Y Strainer

Flange-Flange Ends

Fig. 70FF-300
70FF-250
70FF-200



Valve Standard

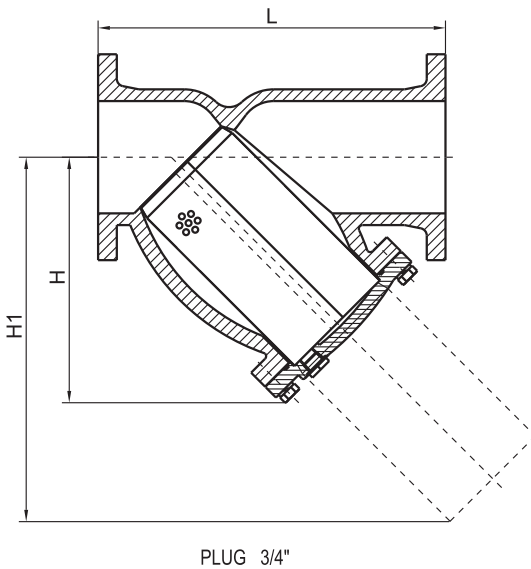
Fusion bonded coating comply with AWWA C550

Working pressure

200PSI / 250PSI / 300PSI

Flanged Ends

ANSI B16.1 Class125/150/250,
EN1092-2 PN10/PN16/PN25
BS10 Table D/Table E



Materials List

Component	Material	Specification
Body	Ductile Iron	A536 65-45-12
Cover	Ductile Iron	A536 65-45-12
Screen	Stainless Steel	AISI 304
Gasket	EPDM	
Plug	Carbon Steel	

Dimensions(mm/inch)

SIZE	mm	50	65	80	100	125	150	200	250	300
	inch	2	2½	3	4	5	6	8	10	12
L	mm	203	254	260	308	398	472	550	654	762
	inch	7.99	10	10.24	12.13	15.67	18.58	21.65	25.75	30
H	mm	132	158	175	202	290	334	391	460	590
	inch	5.20	6.22	6.89	7.99	11.42	13.15	15.39	18.11	23.23
H1	mm	195	240	270	320	425	495	570	700	840
	inch	7.68	9.45	10.63	12.60	16.73	19.49	22.44	27.56	33.07

Y Strainer

Flange-Groove Ends

Fig. 70FG-300
70FG-250
70FG-200



Valve Standard

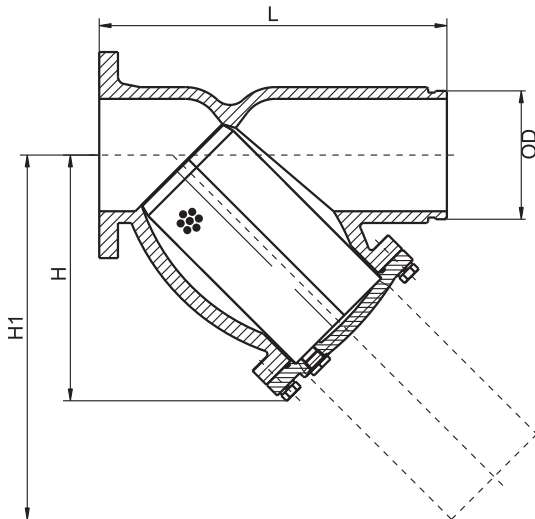
Fusion bonded coating comply with AWWA C550

Working pressure

200PSI / 250PSI / 300PSI

Flanged Ends

ANSI B16.1 Class125/150/250,
EN1092-2 PN10/PN16/PN25
BS10 Table D/Table E
AWWA C 606
VDS2100/AS2638.2



PLUG 3/4"

Dimensions(mm/inch)

SIZE	mm	50	65	80	100	125	150	200	250	300
	inch	2	2½	3	4	5	6	8	10	12
L	mm	203	254	260	308	398	472	550	654	762
	inch	8	10	10.24	12.13	15.67	18.58	21.65	25.75	30
H	mm	130	158	175	202	290	334	391	460	590
	inch	5.12	6.22	6.89	7.95	11.42	13.15	15.39	18.11	23.23
H1	mm	195	240	270	320	425	495	570	700	840
	inch	7.68	9.45	10.63	12.60	16.73	19.49	22.44	27.56	33.07
OD	mm	60.3	73.0/76.1	88.9	114.3	139.7/141.3	165.1/168.3	219.1	273	323.9
	inch	2.37	2.87/3	3.50	4.5	5.5/5.56	6.5/6.63	8.63	10.75	12.75

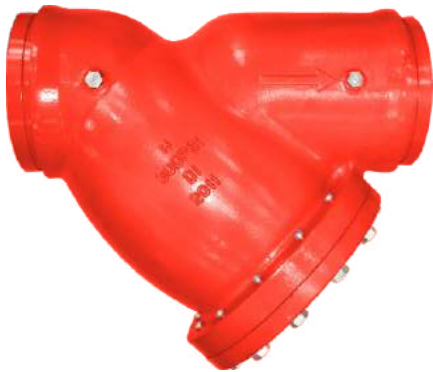
Materials List

Component	Material	Specification
Body	Ductile Iron	A536 65-45-12
Cover	Ductile Iron	A536 65-45-12
Screen	Stainless Steel	AISI 304
Gasket	EPDM	
Plug	Carbon Steel	

Y Strainer

Groove-Groove Ends

Fig. 70GG-300
70GG-250
70GG-200



Valve Standard

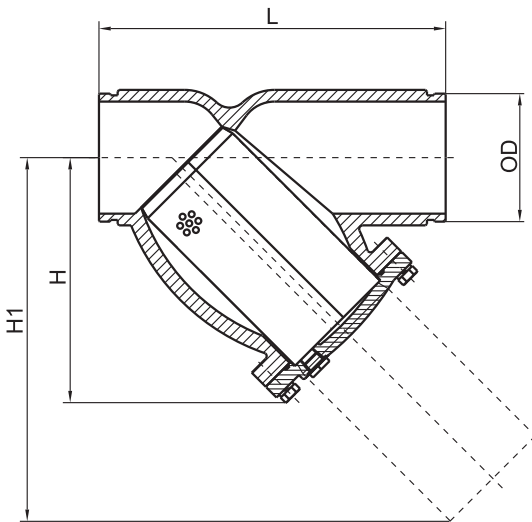
Fusion bonded coating comply with AWWA C550

Working pressure

200PSI / 250PSI / 300PSI

Flanged Ends

AWWA C 606
VDS2100/AS2638.2



PLUG 3/4"

Materials List

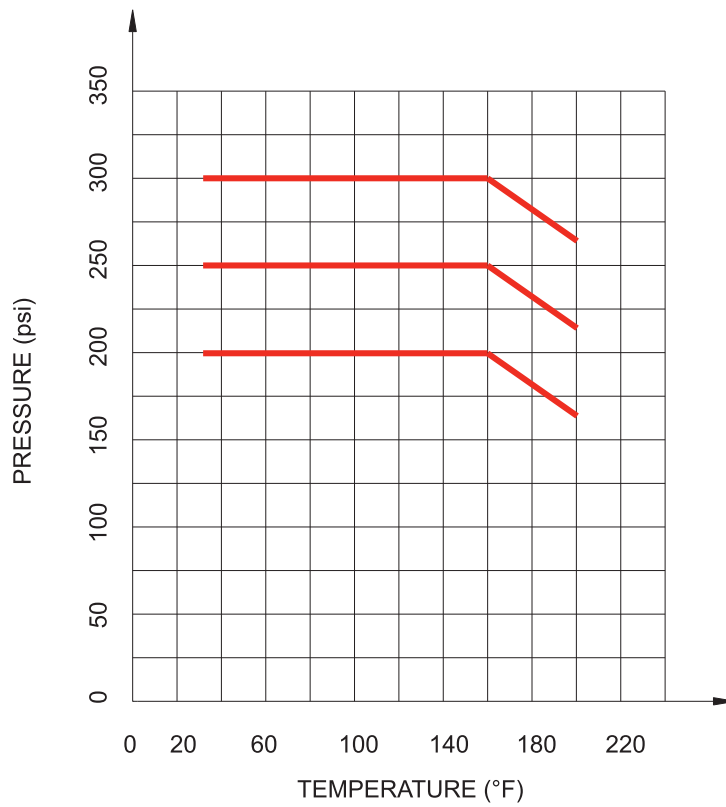
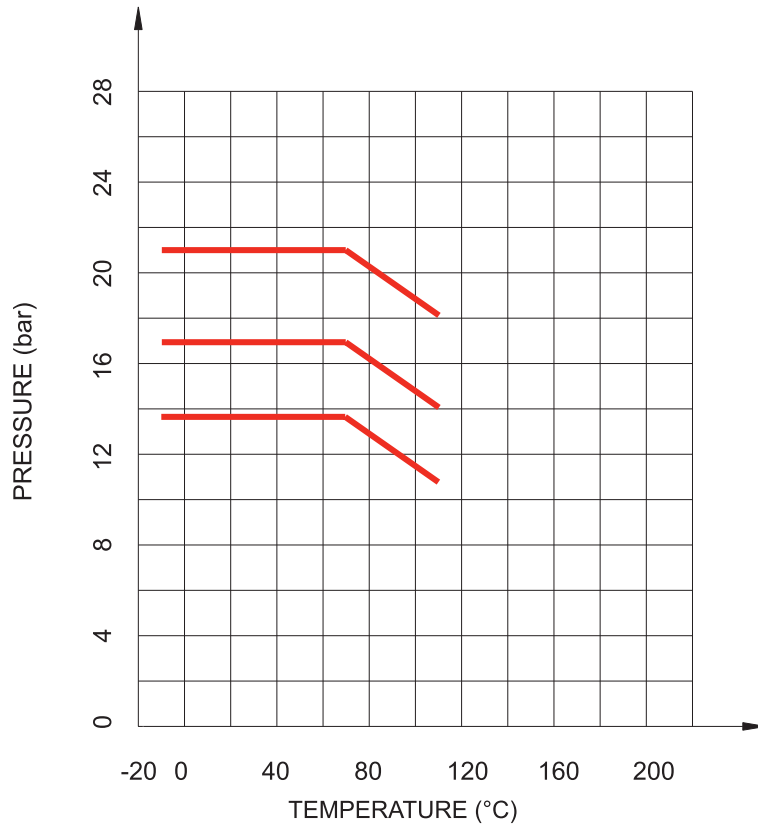
Component	Material	Specification
Body	Ductile Iron	A536 65-45-12
Cover	Ductile Iron	A536 65-45-12
Screen	Stainless Steel	AISI 304
Gasket	EPDM	
Plug	Carbon Steel	

Dimensions(mm/inch)

SIZE	mm	50	65	80	100	125	150	200	250	300
	inch	2	2½	3	4	5	6	8	10	12
L	mm	230	254	272.4	308	398	472	550	654	762
	inch	9.06	10	10.71	12.13	15.67	18.58	21.65	25.75	30
H	mm	130	158	175	202	290	334	391	460	590
	inch	5.12	6.22	6.89	8	11.42	13.15	15.39	18.11	23.23
H1	mm	195	240	270	320	425	495	570	700	840
	inch	7.68	9.45	10.63	12.60	16.73	19.49	22.44	27.56	33.07
OD	mm	60.3	73.0/76.1	88.9	114.3	139.7/141.3	165.1/168.3	219.1	273	323.9
	inch	2.37	2.87/3	3.50	4.5	5.5/5.56	6.5/6.63	8.63	10.75	12.75

Y Strainer

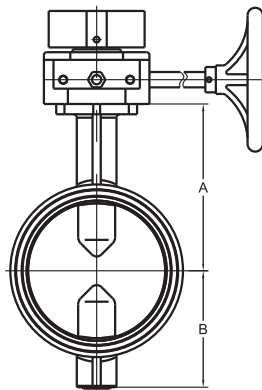
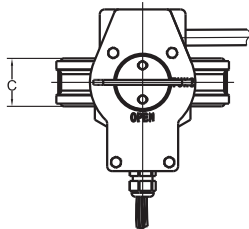
Pressure-Temperature Chart



Butterfly Valve

Resilient Seated Wafer Ends

Fig.25W-300
25W-250
25W-200



Valve Standard

Fusion bonded coating comply with AWWA C550

Working pressure

200PSI / 250PSI / 300PSI

Flanged Ends

ANSI B16.1 Class125/150

EN1092-2 PN10/PN16/PN25

Materials List

Component	Material	Specification
Body	Ductile Iron	A536 65-45-12
Disc	Ductile Iron EPDM Coated	
Upper&Lower Stems	Stainless Steel	AISI 410
Worn Gear Shaft	Stainless Steel	AISI 410
Housing	Cast Iron	A126 B
Hand Wheel	Ductile Iron	A536 65- 45-12B
O-Rings(All)	EPDM Grade"E"	

Dimensions(mm/inch)

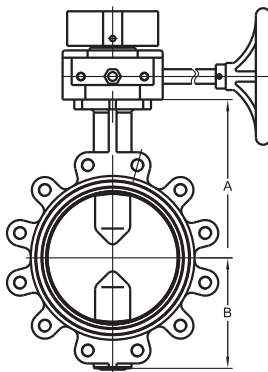
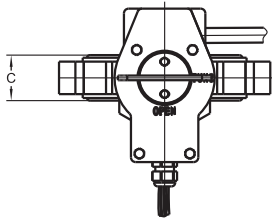
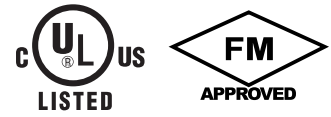
SIZE	mm	50	65	80	100	125	150	200	250	300
	inch	2	2½	3	4	5	6	8	10	12
A	mm	141	153	158	176	191	203	244	273	311
	inch	5.55	6.02	6.22	6.93	7.52	7.99	9.61	10.75	12.24
B	mm	78	78	85	105	128	140	170	205	258
	inch	3.07	3.07	3.35	4.13	5.04	5.51	6.69	8.07	10.16
C	mm	43	46	46	52	56	56	62	68	78
	inch	1.69	1.81	1.81	2.05	2.20	2.20	2.44	2.68	3.07

Factory installed UL listed double Tamper Switches For indoor and Outdoor Use.

Butterfly Valve

Resilient Seated Lug Ends

Fig.25L-200
25L-250
25L-300



Valve Standard

Fusion bonded coating comply with AWWA C550

Working pressure

200PSI / 250PSI / 300PSI

Flanged Ends

ANSI B16.1 Class125/150,
EN1092-2 PN16

Materials List

Component	Material	Specification
Body	Ductile Iron	A536 65-45-12
Disc	Ductile Iron EPDM Coated	
Upper&Lower Stems	Stainless Steel	AISI 410
Worn Gear Shaft	Stainless Steel	AISI 410
Housing	Cast Iron	A126 B
Hand Wheel	Ductile Iron	A536 65- 45-12B
O-Rings(All)	EPDM Grade"E"	

Dimensions(mm/inch)

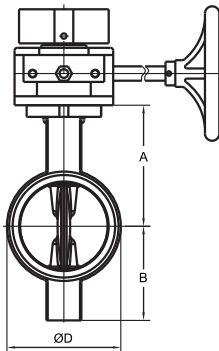
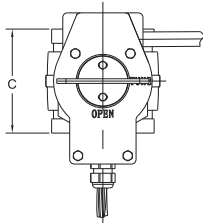
SIZE	mm	50	65	80	100	125	150	200	250	300
	inch	2	2½	3	4	5	6	8	10	12
A	mm	141	153	158	176	191	203	244	273	311
	inch	5.55	6.02	6.22	6.93	7.52	7.99	9.61	10.75	12.24
B	mm	78	78	85	105	128	140	170	205	258
	inch	3.07	3.07	3.35	4.13	5.04	5.51	6.69	8.07	10.16
C	mm	43	46	46	52	56	56	62	68	78
	inch	1.69	1.81	1.81	2.05	2.20	2.20	2.44	2.68	3.07

Factory installed UL listed double Tamper Switches For indoor and Outdoor Use.

Butterfly Valve

Resilient Seated Grooved Ends

Fig. 25GG-200
25GG-250
25GG-300



Valve Standard

Fusion bonded coating comply with AWWA C550

Working pressure

200PSI / 250PSI / 300PSI

Connection Ends

AWWA C606/GB/T 8260
VDS2100/AS2638.2

Materials List

Component	Material	Specification
Body	Ductile Iron	A536 65-45-12
Disc	Ductile Iron EPDM Coated	
Upper&Lower Stems	Stainless Steel	AISI 410
Worn Gear Shaft	Stainless Steel	AISI 410
Housing	Cast Iron	A126 B
Hand Wheel	Ductile Iron	A536 65- 45-12B
O-Rings(All)	EPDM Grade"E"	

Dimensions(mm/inch)

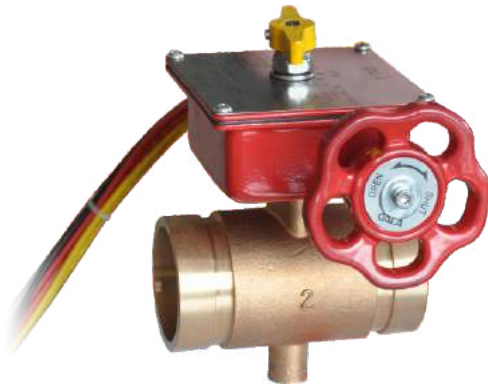
SIZE	mm	50	65	80	100	125	150	200	250	300
	inch	2	2½	3	4	5	6	8	10	12
A	mm	95	98	105	135	148	165	204	245	277.5
	inch	3.74	3.87	4.13	5.31	5.83	6.50	8.03	9.65	10.93
B	mm	78	78	85	105	128	140	170	205	258
	inch	3.07	3.07	3.35	4.13	5.04	5.51	6.69	8.07	10.16
C	mm	84.5	98	98	116	149	147.6	134	160	165
	inch	3.33	3.86	3.86	4.57	5.87	5.81	5.28	6.30	6.50
ØD	mm	72	88	98	127	156	185	235	292	332.5
	inch	2.83	3.46	3.86	5.00	6.14	7.28	9.25	11.49	13.09

Factory installed UL listed double Tamper Switches For indoor and Outdoor Use.

Butterfly Valve

Resilient Seated Grooved Ends

Fig.20GG (Ductile Iron Body)
22G (Bronze Body)



Coating Standard

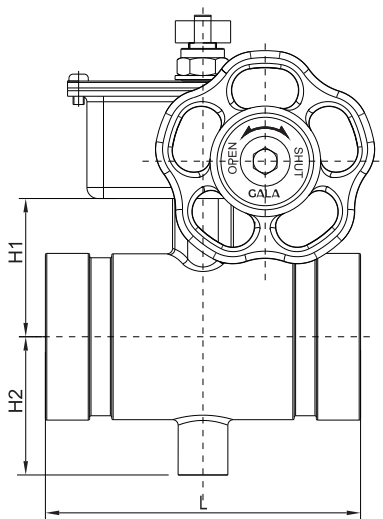
Fusion bonded coating comply with AWWA C550

Working pressure

175PSI

Flanged Ends

AWWA C606



Materials List

Part	Material	Specification
Body (20GG)	Ductile Iron	ASTM A536 65-45-12
Body (22G)	Bronze	ASTM B62 C83600
Disc	Steel+EPDM	ASTM 1045+EPDM
Upper Shaft	Stainless Steel	SS630
Lower Shaft	Stainless Steel	SS630
O-Ring	EPDM	
Gasket	Stainless Steel	AISI 304

Dimensions(mm/inch)

SIZE	mm	50	65
	inch	2	2½
H1	mm	50	55.5
	inch	1.97	2.19
H2	mm	50	55.5
	inch	1.97	2.19
L	mm	114	114
	inch	4.49	4.49

Factory installed UL listed double Tamper Switches For indoor and Outdoor Use.

Butterfly Valve

Resilient Seated Screwed Ends

Fig.20T (Ductile Iron Body)
22T (Bronze Body)



Coating Standard

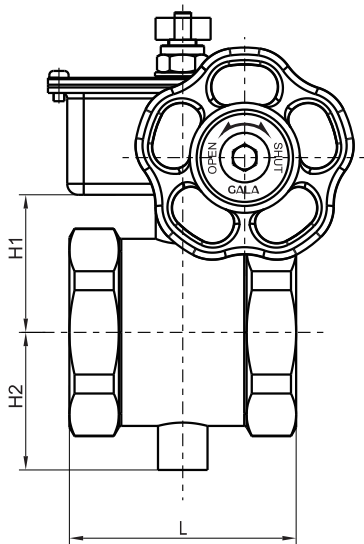
Fusion bonded coating comply with AWWA C550

Working pressure

175PSI

Flanged Ends

ASME B1.20.3 NPT/EN10226-1 Rp



Materials List

Part	Material	Specification
Body (20T)	Ductile Iron	ASTM A536 65-45-12
Body (22T)	Bronze	ASTM B62 C83600
Disc	Steel+EPDM	ASTM 1045+EPDM
Upper Shaft	Stainless Steel	SS630
Lower Shaft	Stainless Steel	SS630
O-Ring	EPDM	
Gasket	Stainless Steel	AISI 304

Dimensions(mm/inch)

SIZE	mm	25	32	40	50	65
	inch	1	1¼	1½	2	2½
H1	mm	37	42	44	50	55.5
	inch	1.46	1.65	1.73	1.97	2.19
H2	mm	29	35	41	50	55.5
	inch	1.14	1.38	1.61	1.97	2.19
L	mm	54	67	73	82.4	104
	inch	2.13	2.64	2.87	3.24	4.09

Factory installed UL listed double Tamper Switches For indoor and Outdoor Use.

Air Release Valve

Screwed

Fig. 9712



Valve Standard

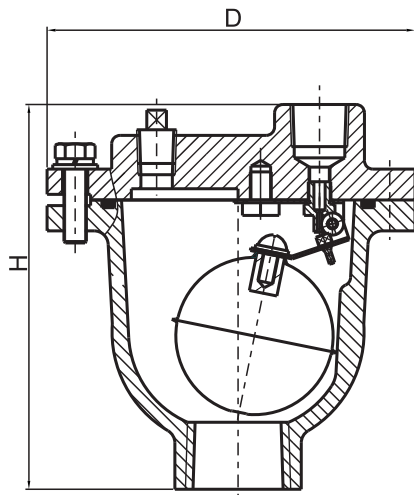
Fusion bonded coating comply with AWWA C550

Working pressure

200PSI

Connection Ends

NPT/BSPT/BSPP



Materials List

Part	Material	ASTM Spec.
Body	Ductile Iron	A536 65-45-12
Cover	Ductile Iron	A536 65-45-12
Level	Stainless Steel	AISI 304
Seat Ring	Stainless Steel	AISI 304
Float	Stainless Steel	AISI 304
Float Arm	Stainless Steel	AISI 304
Orifice Button	Viton	Commercial

Dimensions

DN		Inlet	Outle	Orifice	D	H
mm	inch					
15	1/2	15	15	1.6	125	137
20	3/4	20	15	1.6	125	137
25	1	25	15	1.6	125	137

Dry Barrel Fire Hydrant

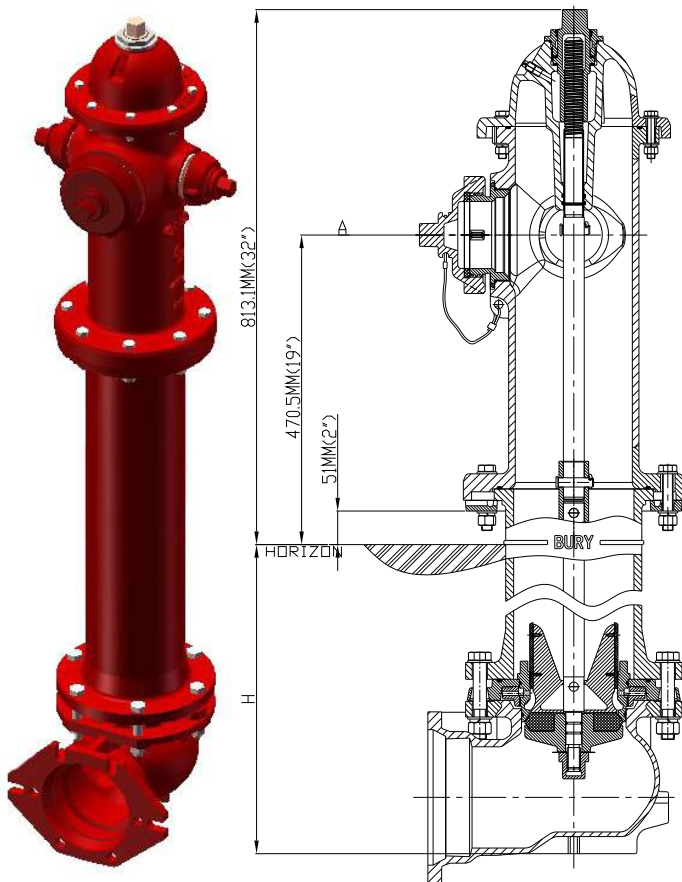
Fig.1510



Technical Specification

Design Standard	FM 1510/UL 246/AWWA C502
Coating Standard	AWWA C550
Nozzle Thread Standard	NFPA 1963
Hose Nozzle	2-1/2"-Two
Pumper Nozzle	4" or 4-1/2"-One
Mechanical Jiont	Size: 6" ANSI/AWWA C153/A21.53
Flange End	Size: 6" ANSI Class 125 / BS EN1092-2 PN16
Working Pressure	250PSI

Part Name	Material
Operating Nut	C84400
Lock Nut	A351 CF8
Antifriction Mat	C63000
Cover	A536 65-45-12
Top Shaft	AISI 420
Fire Engine Nozzle Cap	A536 65-45-12
Fire Engine Nozzle Gasket	EPDM
Fire Engine Nozzle	C84400
Steel Wire Rope	AISI 304
O-Ring	EPDM
Coupling	AISI 420
Safety Flange	A126B
Under Shaft	SS420
MJ Elbow Body	A536 65-45-12
Hexagon Head Bolts	AISI 304
Hexagonal Nut	AISI 304
Pin	AISI 304
Cotter Pin	AISI 304
Hexagon Head Bolts	AISI 304
Hexagonal Nut	AISI 304
O-Ring	EPDM
Pin	AISI 304
Cotter Pin	AISI 304
Hose Nozzle Cap	A536 65-45-12
Hose Nozzle Gasket	EPDM
Hose Nozzle	C84400
Drain Sealing Strip	PE
Countersunk Head Screw	AISI 304
Disc	C84400
Seat	C84400
Drainage Ring	C84400
Nut	A536 65-45-12
Nut Washer	AISI 304
Hexagon Head Bolts	AISI 304
Washer	AISI 304
Hexagonal Nut	AISI 304



Dimension

H	912mm(3')	1065mm(3'-6")	1217mm(4'-0")	1370mm(4'-6")	1522mm(5'-0")	1674mm(5'-6")	1827mm(6'-0")	1979mm(6'-6")	2132mm(7'-0")
---	-----------	---------------	---------------	---------------	---------------	---------------	---------------	---------------	---------------

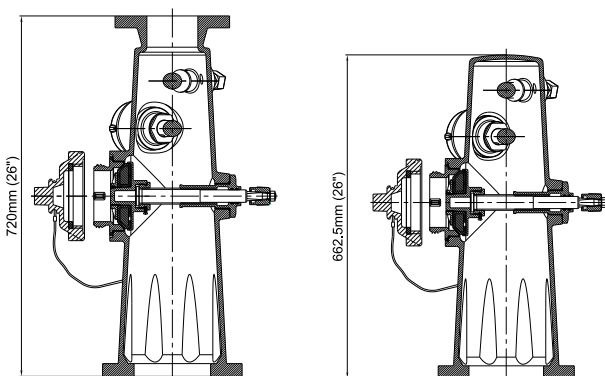
Wet Barrel Fire Hydrant

Fig.1511



Technical Specification

Design Standard	FM 1511/UL 246/AWWA C503
Coating Standard	AWWA C550
Nozzle Standard	NFPA 1963
Monitor Flange	Size: 4"-ANSI Class125
Pipe Flange	Size: 6"-ANSI Class125
Working Pressure	250PSI



Part Name	Material
Hydrant Body	A536 65-45-12
Pumper Connection	
Steel Wire Rope	AISI 304
O-Ring	EPDM
Pumper Nozzle Cap	A536 65-45-12
Pumper Nozzle	C84400
Pumper Nozzle Gasket	EPDM
4.5" Gland	A351 CF8
Inner Six Angle Flat End Set Screw	A2
4.5" Disc Sealing Ring	EPDM
4.5" Disc	A351 CF8
Shaft	AISI 304/420
Fasten Nut	A351 CF8
Inner Six Angle Cylindrical Head Screw	A2-70
4.5" Shaft Nut	C84400
O-Ring	EPDM
Operating Nut	A351 CF8
Hexagon Nut	A2-70
Hexagon Headed Bolt	AISI 304
Flat Washer	AISI 304
Hexagon Nut	AISI 304
Inner Six Angle Set Screw	Carbon Steel + Zn
Hose Connection	
O-Ring	EPDM
Hose Nozzle Cap	A536 65-45-12
Hose Nozzle	C84400
Hose Nozzle Gasket	EPDM
2.5" Gland	A351 CF8
2.5" Disc Sealing Ring	EPDM
2.5" Disc	A351 CF8
Shaft Stem Nut	C84400
Inner Six Angle Set Screw	Carbon Steel + Zn

Model Options

Model No.	Hose Nozzle	Pumper Nozzle	Monitor Flange	Pipe Flange
F1511-2H0P	2-1/2" *2	--	--	6"
F1511-2H0PM	2-1/2" *2	--	4"	6"
F1511-1H1P	2-1/2" *1	4" or 4-1/2" Pumper Connection *1	--	6"
F1511-1H1PM	2-1/2" *1	4" or 4-1/2" Pumper Connection *1	4"	6"
F1511-2H1P	2-1/2" *2	4" or 4-1/2" Pumper Connection *1	--	6"
F1511-2H1PM	2-1/2" *2	4" or 4-1/2" Pumper Connection *1	4"	6"

CAUTION

Technical data published in this catalogue have been developed from our design calculation, in-house testing, field reports provided by our customers and/or published official standard or specifications. They are good only to cover typical applications as a general guideline to users of GALA products introduced in this catalogue.

For any specific application, users are kindly requested to contact GALA for technical advice, or to carry out their own study and evaluation for providing suitability of the products to such an application. Failure to follow this request could result in property damage and/or personal injury, for which we shall not be liable.

While this catalogue has been compiled with the utmost care, we assume no responsibility for errors, impropriety or inadequacy. Any information provided in this catalogue is subject to from-time-to-time change without notice for error rectification, product discontinuation, design modification, new product introduction or any other cause that GALA considers necessary. This edition cancels all previous issues.

Headquarter:
No.15 Tianhua Road,
Balitai Industrial Area, Jinnan District,
300350 Tianjin, China
International Sales Office:
Milan, Italy
Tel: +39 0237920886
Email: export@galaxyvalves.com

Distributor: