



FIRE PROTECTION



GALA | *Regulating
Systems*

Company Profile

GALA-Extends Business on a Global Perspective.

GALA company offers a wide range of products and systems in the field of valves, piping, and seismic isolation for applications ranging from equipment for office buildings, fire fighting, heating, water works, sewerage, marine, industrial to top fluid control. Our aim is meaningful contribution to society by providing comfort and safety through our products, technical skills and services!

GALA-Professional Manufacturer of Industrial Valves

GALA have variety products to meet customer demand of different valve. Designing, manufacture and sale of one-stop service is the company's core strengths.

GALA products cover the following industry area:

Water supply system, water treatment, food, chemical, cement, air-conditioning systems, industry engineering, nuclear power, papermaking, Petrochemical Industry, pharmaceutica, Powder Industry, steel industry, sugar refining, textiles and so on. GALA anti-pollution environmental protection industry is one of the major business. GALA provides various valve for wastewater processing and exhaust gas processing.

GALA have wide variety of industrial valves, including following main products:

Fire Protection Valve
Balancing Valve
Butterfly Valve
Gate Valve, Globe Valve, Check Valve, Ball Valve
Strainer
Flexible Rubber Joint
Flexible Stainless Steel Hose, Expansion Joint

Other Valves and fittings are also available from GALA

All products will be designed, manufactured and assembly by GALA.



CONTENTS

Gate Valve

345FF / 322FF Resilient Seated NRS Type-Flanged Ends	1-3
322FG Resilient Seated NRS Type-Flange-Groove Ends	4
322GG / 345GG Resilient Seated NRS Type-Groove-Groove Ends	5-6
322JJ Resilient Seated OS&Y Type-MJ-MJ Ends	7
322FJ Resilient Seated OS&Y Type-Flange-MJ Ends	8
341FF / 333FF Resilient Seated OS&Y Type-Flanged Ends	9-11
333FG Resilient Seated OS&Y Type-Flange-Groove Ends	12
333GG / 341GG Resilient Seated OS&Y Type-Groove-Groove Ends	13-14
333JJ Resilient Seated OS&Y Type-MJ-MJ Ends	15
333FJ Resilient Seated OS&Y Type-Flange-MJ Ends	16
Pressure-Temperature Chart	17

Indicator Post

G388 Indicator Post - Underground Type	18
G322 Indicator Post - Underground Type	19
G345 Indicator Post - Underground Type	20
W388 Indicator Post - Wall Type	21
W345 Indicator Post - Wall Type	22

Swing Check Valve

55FF Resilient Seated Flanged Ends	23
50GG Resilient Seated Grooved Ends	24
50GGP Resilient Seated Grooved Ends Riser (Shotgun)	25
50W Resilient Seated Wafer Ends	26
Pressure-Temperature Chart	27

Y Strainer

70FF Flanged Ends	28
70FG Flange-Groove Ends	29
70GG Groove-Groove Ends	30
Pressure-Temperature Chart	31

Butterfly Valve

25W Resilient Seated Wafer Ends	32
25L Resilient Seated Lug Ends ²	33
5GG Resilient Seated Grooved Ends	34
20GG/22G Resilient Seated Grooved Ends	35
20T/22T Resilient Seated Screwed Ends	36

Air Vent Valve

9712 Air Release Valve	37
------------------------	----

Fire Hydrant

1510 Dry Barrel Fire Hydrant	38
1511 Wet Barrel Fire Hydrant	39

Water Flow Detector With Retard

1042-V Water Flow Detector With Retard	42
1042-T Water Flow Detector With Retard	44

Brass Valve

Test And Drain	46
Hose Valve	47
Angle Valve	48
Ball Valve	49
Fire Department Connections	50

CERTIFICATE

CERTIFICATE OF COMPLIANCE

Certificate Number 20130703-EX16375
Report Reference EX16375-20130701
Issue Date 2013-JULY-03

Issued to: GALA RS INC
 SUITE 201
 11200 WESTHEIMER RD
 HOUSTON, TX, 77042, US


This is to certify that representative samples of
 STRAINERS, PIPELINE
 Strainers, basket type • 70FF-300, 70FG-300, 70GG-300,
 70FF-250, 70FG-250, 70GG-250, 70FF-200, 70FG-200,
 70GG-200.

Have been investigated by UL in accordance with the Standard(s) indicated on this Certificate.

Standard(s) for Safety: UL Subject 321 - Outline of Investigation for Pipeline Strainers

Additional Information: See the UL Online Certifications Directory at www.ul.com/database for additional information

Only those products bearing the UL Listing Mark should be considered as being covered by UL's Listing and Follow-Up Service.
 The UL Listing Mark generally includes the following elements: the symbol UL in a circle with the word LISTED, a control number (may be alphanumeric) assigned by UL, and the product category name (product identifier) as indicated in the appropriate UL Directory.
 Look for the UL Listing Mark on the product.



CERTIFICATE OF COMPLIANCE

Certificate Number 20190506-EX15959
Report Reference EX15959-20121023
Issue Date 2019-MAY-06

Issued to: TIANJIN GALAXY VALVE CO LTD
 15 TIANHUA RD
 BALITAI INDUSTRIAL AREA
 JINNAN DISTRICT
 TIANJIN
 300350 CHINA

This certificate confirms that representative samples of CHECK VALVES
 See addendum page for models.

Have been investigated by UL in accordance with the Standard(s) indicated on this Certificate.

Standard(s) for Safety: UL 312 - Check Valves for Fire-Protection Service
 UL CQIRD C312-07 - Check Valves for Fire-Protection Service

Additional Information: See the UL Online Certifications Directory at <https://in.ulglobalsector.com> for additional information.

This Certificate of Compliance does not provide authorization to apply the UL Mark. Only the UL Follow-Up Services Procedure provides authorization to apply the UL Mark.
 Only those products bearing the UL Mark should be considered as being UL Certified and covered under UL's Follow-Up Services.
 Look for the UL Certification Mark on the product.





Certificate of Compliance

This certificate is issued for the following:

AIR RELEASE VALVES

Model 9712
Sizes 1/2, 3/4 and 1 inch NPS

Prepared for:
 Gala RS Inc.
 11200 Westheimer, Suite 201
 Houston, TX 77042
 USA

FM Approvals Class: 1344 Air Release Valves 1/2 Inch through 1 Inch, dated January 2010
 Approval Identification: PR452028 Approval Granted: November 5, 2018

To verify the availability of the Approved product, please refer to www.approvalguide.com

Said Approval is subject to satisfactory field performance, continuing Surveillance Audits, and strict conformity to the constructions as shown in the Approval Guide, an online resource of FM Approvals.

David B. Fuller
 David B. Fuller
 VP, Manager - Fire Protection
 FM Approvals
 1151 Boston-Providence Turnpike
 Norwood, MA 02062 USA







Certificate of Compliance

This certificate is issued for the following:

OS&Y Gate Valve Model 333
NRS Gate Valve Model 322
Check Valve Model 55FF

Prepared for:
 Gala RS Inc.
 11200 Westheimer, Suite 201
 Houston, TX 77042

FM Approvals Class: 1120/1130
 Approval Identification: 0003062711 Approval Granted: July 20, 2017

To verify the availability of the Approved product, please refer to www.approvalguide.com

Said Approval is subject to satisfactory field performance, continuing Surveillance Audits, and strict conformity to the constructions as shown in the Approval Guide, an online resource of FM Approvals.

David B. Fuller
 David B. Fuller
 VP, Manager - Fire Protection
 FM Approvals
 1151 Boston-Providence Turnpike
 Norwood, MA 02062 USA





Certificate of Compliance

This certificate is issued for the following:

OUTSIDE SCREW & YOKE TYPE (OS&Y) GATE VALVE
 MODELS 399FF-300, 399FF-250, 399FF-200, 399GG-300, 399GG-250, 399GG-200,
 399FG-300, 399FG-250, 399FG-200

NON-RISING STEM TYPE (NRS) GATE VALVE
 MODELS 388FF-300, 388FF-250, 388FF-200, 388GG-300, 388GG-250, 388GG-200,
 388FG-300, 388FG-250, 388FG-200

INDICATOR POST MODELS G388 AND W388
SWING CHECK VALVE MODELS 50FF -300, 50FF-250, 50FF-200

Prepared for:
 GALA RS Inc.
 11200 Westheimer
 Suite 201
 Houston, TX 77042

FM Approvals Class: 1120/1130, 1110, 1210
 Approval Identification: 0003049247 Approval Granted: July 12, 2013

To verify the availability of the Approved product, please refer to www.approvalguide.com

Said Approval is subject to satisfactory field performance, continuing Surveillance Audits, and strict conformity to the constructions as shown in the Approval Guide, an online resource of FM Approvals.

Richard B. Dume
 Richard B. Dume
 Group Manager - Fire Protection
 FM Approvals
 1151 Boston-Providence Turnpike
 Norwood, MA 02062

August 7, 2013
 Date





Gate Valve

Resilient Seated NRS Type-Flanged-Ends

Fig.345FF



Handwheel OP

Square Nut OP

Valve Standard

Conforms to AWWA C515 / BS5163
Fusion bonded coating comply with AWWA C550

Working Pressure

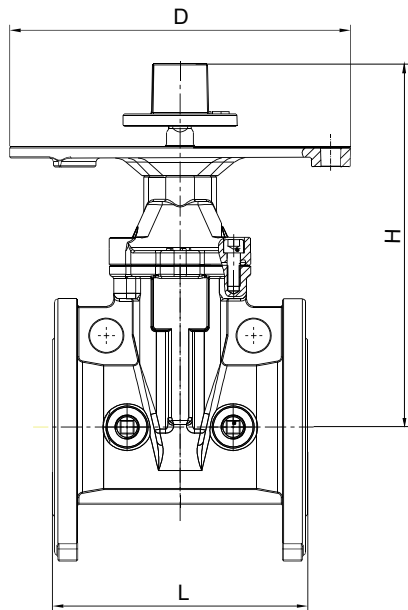
365PSI

Working Temperature

-10°C to 120°C

Connection Ends

AWWA C 606
VDS2100/AS2638.2



Materials List

Part Name	Material	Specification
Body	Ductile Iron	A536 65-45-12
Wedge Disc	Ductile Iron EPDM Coated	
Disc Nut	Bronze	ASTM B62
Stem	Stainless Steel	AISI 304
Gasket	EPDM	Commercial
Bonnet	Ductile Iron	A536 65-45-12
Thrust Collar	Bronze	ASTM C51100
Gland	Ductile Iron	A536 65-45-12
Wrench Nut	Ductile Iron	A536 65-45-12
Post Plate	Ductile Iron	A536 65-45-12
Handle	Ductile Iron	A536 65-45-12

Dimensions(mm/inch)

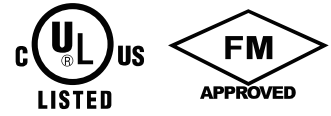
Size	mm	50	65	80	100	125	150	200	250	300
	inch	2	2-1/2	3	4	5	6	8	10	12
L		178	191	203	229	254	267	292	330	356
H		263	263	293	326	420	420	506	610	711
D		305	305	305	305	305	305	305	305	305

Note: Subject to change without prior notice due to products optimization.

Gate Valve

Resilient Seated NRS Type-Flanged Ends

Fig. 322FF-300
322FF-250
322FF-200



Valve Standard

Conforms to AWWA C515 / BS5163
Fusion bonded coating comply with AWWA C550

Working pressure

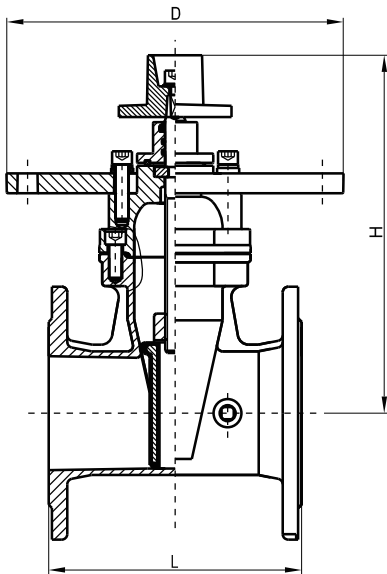
200PSI / 250PSI / 300PSI

Working Temperature

-10°C to 120°C

Connection Ends

ANSI B16.1 CLASS125/B16.42 CLASS150
EN1092-2 PN16



Materials List

Part Name	Material	Specification
Body	Ductile Iron	A536 65-45-12
Wedge Disc	Ductile Iron EPDM Coated	
Disc Nut	Bronze	ASTM B62
Stem	Stainless Steel	AISI 304/420
Gasket	EPDM	Commercial
Bonnet	Ductile Iron	A536 65-45-12
Thrust Collar	Bronze	ASTM C51100
Gland	Ductile Iron	A536 65-45-12
Wrench Nut	Ductile Iron	A536 65-45-12
Post Plate	Ductile Iron	A536 65-45-12

Dimensions(mm/inch):

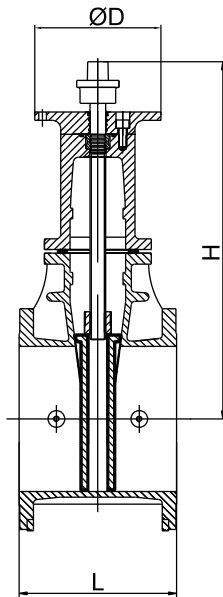
SIZE	mm	50	65	80	100	125	150	200	250	300
	inch	2	2 1/2	3	4	5	6	8	10	12
L	mm	178	191	203	229	254	267	292	330	356
	inch	7.00	7.50	8.00	9.00	10.00	10.50	11.50	13.00	14.00
H	mm	279	279	305	324	394	428	537	640	723
	inch	10.98	10.98	12.01	12.76	15.51	16.85	21.14	25.20	28.46
D	mm	305	305	305	305	305	305	305	305	305
	inch	12.01	12.01	12.01	12.01	12.01	12.01	12.01	12.01	12.01

Note: Subject to change without prior notice due to products optimization.

Gate Valve

Resilient Seated NRS Type-Flanged Ends

Fig. 322FF-250(DN350-DN450)
322FF-200(DN500-DN600)



Valve Standard

Conforms to AWWA C515 / BS5163
Fusion bonded coating comply with AWWA C550

Working pressure

200PSI / 250PSI

Working Temperature

-10°C to 120°C

Connection Ends

ANSI B16.1 CLASS125/B16.42 CLASS150
EN1092-2 PN16

Materials List

Part Name	Material	Specification
Body	Ductile Iron	A536 65-45-12
Wedge Disc	Ductile Iron EPDM Coated	
Disc Nut	Bronze	ASTM B62
Stem	Stainless Steel	AISI 304/420
Gasket	EPDM	Commercial
Bonnet	Ductile Iron	A536 65-45-12
Thrust Collar	Bronze	ASTM C51100
Gland	Ductile Iron	A536 65-45-12
Wrench Nut	Ductile Iron	A536 65-45-12
Post Plate	Ductile Iron	A536 65-45-12

Dimensions(mm/inch):

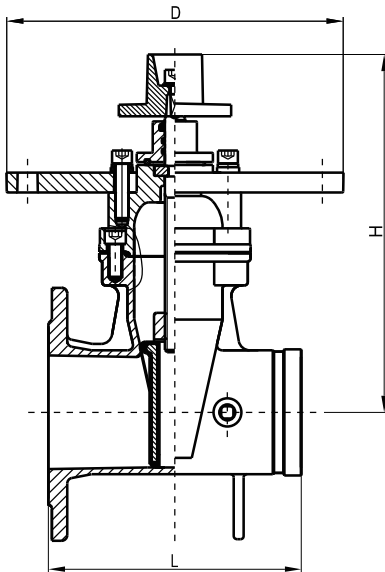
SIZE	mm	350	400	450	500	600
	inch	14	16	18	20	24
L	mm	381	406	432	457	508
	inch	15.00	15.98	17.01	17.99	20.00
H	mm	862	938	1057	1142	1295
	inch	33.94	36.93	41.61	44.96	50.98
D	mm	305	305	305	305	305
	inch	12.01	12.01	12.01	12.01	12.01

Note: Subject to change without prior notice due to products optimization.

Gate Valve

Resilient Seated NRS Type-Flange-Groove Ends

Fig. 322FG-300
322FG-250
322FG-200



Valve Standard

Conforms to AWWA C515 / BS5163
Fusion bonded coating comply with AWWA C550

Working pressure

200PSI / 250PSI / 300PSI

Working Temperature

-10°C to 120°C

Connection Ends

ANSI B16.1 CLASS125/B16.42 CLASS150
EN1092-2 PN16
AWWA C 606
VDS2100/AS2638.2

Materials List

Part Name	Material	Specification
Body	Ductile Iron	A536 65-45-12
Wedge Disc	Ductile Iron EPDM Coated	
Disc Nut	Bronze	ASTM B62
Stem	Stainless Steel	AISI 304/420
Gasket	EPDM	Commercial
Bonnet	Ductile Iron	A536 65-45-12
Thrust Collar	Bronze	ASTM C51100
Gland	Ductile Iron	A536 65-45-12
Wrench Nut	Ductile Iron	A536 65-45-12
Post Plate	Ductile Iron	A536 65-45-12

Dimensions(mm/inch):

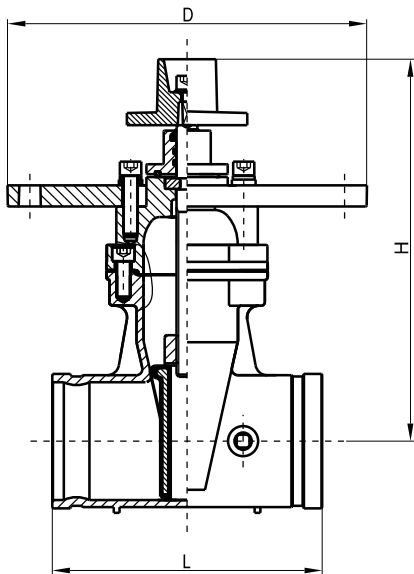
SIZE	mm	50	65	80	100	125	150	200	250	300
	inch	2	2 1/2	3	4	5	6	8	10	12
L	mm	178	191	203	229	254	267	292	330	356
	inch	7.00	7.50	8.00	9.00	10.00	10.50	11.50	13.00	14.00
H	mm	279	279	305	324	394	428	537	640	723
	inch	10.98	10.98	12.01	12.76	15.51	16.85	21.14	25.20	28.46
D	mm	305	305	305	305	305	305	305	305	305
	inch	12.01	12.01	12.01	12.01	12.01	12.01	12.01	12.01	12.01

Note: Subject to change without prior notice due to products optimization.

Gate Valve

Resilient Seated NRS Type-Groove-Groove Ends

Fig. 322GG-300
322GG-250
322GG-200



Valve Standard

Conforms to AWWA C515 / BS5163
Fusion bonded coating comply with AWWA C550

Working pressure

200PSI / 250PSI / 300PSI

Working Temperature

-10°C to 120°C

Connection Ends

AWWA C 606
VDS2100/AS2638.2

Materials List

Part Name	Material	Specification
Body	Ductile Iron	A536 65-45-12
Wedge Disc	Ductile Iron EPDM Coated	
Disc Nut	Bronze	ASTM B62
Stem	Stainless Steel	AISI 304/420
Gasket	EPDM	Commercial
Bonnet	Ductile Iron	A536 65-45-12
Thrust Collar	Bronze	ASTM C51100
Gland	Ductile Iron	A536 65-45-12
Wrench Nut	Ductile Iron	A536 65-45-12
Post Plate	Ductile Iron	A536 65-45-12

Dimensions(mm/inch):

SIZE	mm	50	65	80	100	125	150	200	250	300
	inch	2	2 1/2	3	4	5	6	8	10	12
L	mm	178	191	203	229	254	267	292	330	356
	inch	7.00	7.50	8.00	9.00	10.00	10.50	11.50	13.00	14.00
H	mm	279	279	305	324	394	428	537	640	723
	inch	10.98	10.98	12.01	12.76	15.51	16.85	21.14	25.20	28.46
D	mm	305	305	305	305	305	305	305	305	305
	inch	12.01	12.01	12.01	12.01	12.01	12.01	12.01	12.01	12.01

Note: Subject to change without prior notice due to products optimization.

Gate Valve

Resilient Seated NRS Type-Groove-Groove-Ends

Fig.345GG



Handwheel OP

Square Nut OP

Valve Standard

Conforms to AWWA C515 / BS5163
Fusion bonded coating comply with AWWA C550

Working Pressure

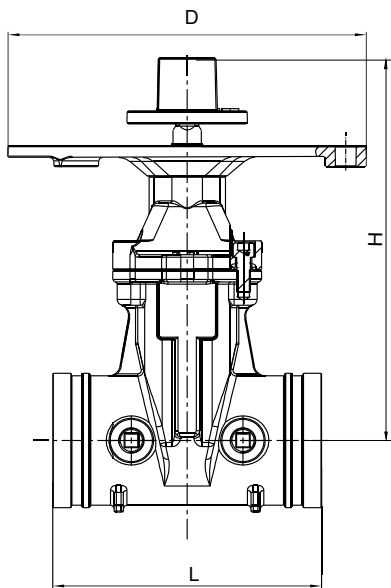
365PSI

Working Temperature

-10°C to 120°C

Connection Ends

AWWA C 606
VDS2100/AS2638.2



Materials List

Part Name	Material	Specification
Body	Ductile Iron	A536 65-45-12
Wedge Disc	Ductile Iron EPDM Coated	
Disc Nut	Bronze	ASTM B62
Stem	Stainless Steel	AISI 304
Gasket	EPDM	Commercial
Bonnet	Ductile Iron	A536 65-45-12
Thrust Collar	Bronze	ASTM C51100
Gland	Ductile Iron	A536 65-45-12
Wrench Nut	Ductile Iron	A536 65-45-12
Post Plate	Ductile Iron	A536 65-45-12
Handle	Ductile Iron	A536 65-45-12

Dimensions(mm/inch)

Size	mm	50	65	80	100	125	150	200	250	300
	inch	2	2-1/2	3	4	5	6	8	10	12
L		178	191	203	229	254	267	292	330	356
H		263	263	293	326	420	420	506	610	711
D		305	305	305	305	305	305	305	305	305

Note: Subject to change without prior notice due to products optimization.

Gate Valve

Resilient Seated NRS Type-MJ-MJ Ends

Fig. 322JJ-300
322JJ-250
322JJ-200



Valve Standard

Conforms to AWWA C515 / BS5163
Fusion bonded coating comply with AWWA C550

Working pressure

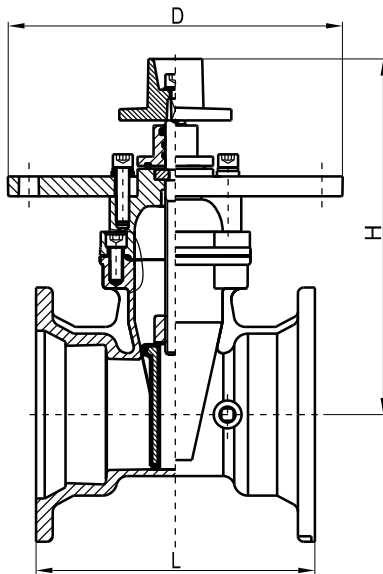
200PSI / 250PSI / 300PSI

Working Temperature

-10°C to 120°C

Connection Ends

AWWA C 153 / A21.11



Materials List

Part Name	Material	Specification
Body	Ductile Iron	A536 65-45-12
Wedge Disc	Ductile Iron EPDM Coated	
Disc Nut	Bronze	ASTM B62
Stem	Stainless Steel	AISI 304/420
Gasket	EPDM	Commercial
Bonnet	Ductile Iron	A536 65-45-12
Thrust Collar	Bronze	ASTM C51100
Gland	Ductile Iron	A536 65-45-12
Wrench Nut	Ductile Iron	A536 65-45-12
Post Plate	Ductile Iron	A536 65-45-12

Dimensions(mm/inch):

SIZE	mm	80	100	150	200	250	300
	inch	3	4	6	8	10	12
L	mm	241	254	292	318	375	378
	inch	9.49	10.00	11.50	12.52	14.76	14.88
H	mm	305	324	428	537	640	723
	inch	12.01	12.76	16.85	21.14	25.20	28.46
D	mm	305	305	305	305	305	305
	inch	12.01	12.01	12.01	12.01	12.01	12.01

Note: Subject to change without prior notice due to products optimization.

Gate Valve

Resilient Seated NRS Type-Flanged-MJ Ends

Fig. 322FJ-300
322FJ-250
322FJ-200



Valve Standard

Conforms to AWWA C515 / BS5163
Fusion bonded coating comply with AWWA C550

Working pressure

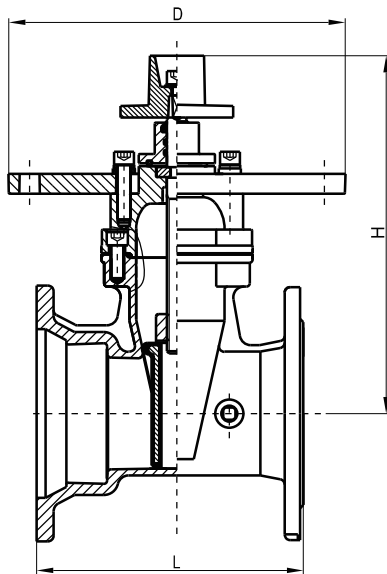
200PSI / 250PSI / 300PSI

Working Temperature

-10°C to 120°C

Connection Ends

AWWA C 153 / A21.11
ANSI B16.1 CLASS125/B16.42 CLASS150
EN1092-2 PN16



Materials List

Part Name	Material	Specification
Body	Ductile Iron	A536 65-45-12
Wedge Disc	Ductile Iron EPDM Coated	
Disc Nut	Bronze	ASTM B62
Stem	Stainless Steel	AISI 304/420
Gasket	EPDM	Commercial
Bonnet	Ductile Iron	A536 65-45-12
Thrust Collar	Bronze	ASTM C51100
Gland	Ductile Iron	A536 65-45-12
Wrench Nut	Ductile Iron	A536 65-45-12
Post Plate	Ductile Iron	A536 65-45-12

Dimensions(mm/inch):

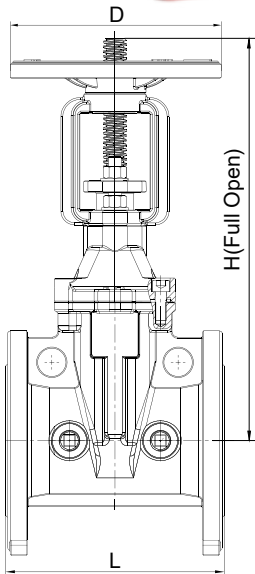
SIZE	mm	80	100	150	200	250	300
	inch	3	4	6	8	10	12
L	mm	222.0	241.5	279.5	305.0	352.5	367.0
	inch	8.74	9.51	11.00	12.01	13.88	14.45
H	mm	305	324	428	537	640	723
	inch	12.01	12.76	16.85	21.14	25.20	28.46
D	mm	305	305	305	305	305	305
	inch	12.01	12.01	12.01	12.01	12.01	12.01

Note: Subject to change without prior notice due to products optimization.

Gate Valve

Resilient Seated OS&Y Type-Flanged Ends

Fig.341FF



Valve Standard

Conforms to AWWA C515 / BS5163
Fusion bonded coating comply with AWWA C550

Working Pressure

365PSI

Working Temperature

-10°C to 120°C

Connection Ends

ANSI CLASS 125/ANSI CLASS 150
BS EN1092-2 PN16

Materials List

Part Name	Material	Specification
Body	Ductile Iron	A536 65-45-12
Wedge Disc	Ductile Iron EPDM Coated	
Disc Nut	Bronze	ASTM B62
Stem	Stainless Steel	AISI 304
Gasket	EPDM	Commercial
Bonnet	Ductile Iron	A536 65-45-12
Thrust Collar	Bronze	ASTM C51100
Gland	Ductile Iron	A536 65-45-12
Wrench Nut	Ductile Iron	A536 65-45-12
Post Plate	Ductile Iron	A536 65-45-12

Dimensions(mm/inch)

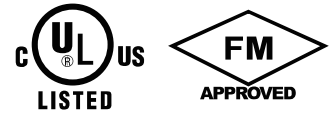
Size	mm	50	65	80	100	125	150	200	250	300
	inch	2	2-1/2	3	4	5	6	8	10	12
L		178	191	203	229	254	267	292	330	356
H		409	409	463	420	562	562	709	861	1300
D		160	160	220	220	280	280	370	420	420

Note: Subject to change without prior notice due to products optimization.

Gate Valve

Resilient Seated OS&Y Type-Flanged Ends

Fig. 333FF-300
333FF-250
333FF-200



Valve Standard

Conforms to AWWA C515 / BS5163
Fusion bonded coating comply with AWWA C550

Working pressure

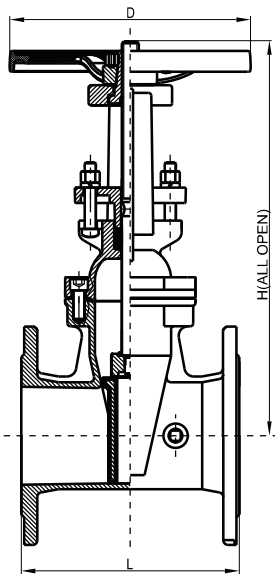
200PSI / 250PSI / 300PSI

Working Temperature

-10°C to 120°C

Connection Ends

ANSI B16.1 CLASS125/B16.42 CLASS150
EN1092-2 PN16



Materials List

Part Name	Material	Specification
Body	Ductile Iron	A536 65-45-12
Wedge	Ductile Iron EPDM Coated	
Wedge Nut	Stainless Steel	AISI304
Stem	Stainless Steel	AISI 304/420
Bonnet	Ductile Iron	A536 65-45-12
Gasket	EPDM	Commercial
Packing	PTFE	Non-asbestos
Stem Nut	Bronze	ASTM B62
Handwheel	Ductile Iron	A536 65-45-12

Dimensions(mm/inch):

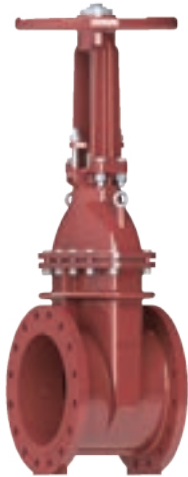
SIZE	mm	50	65	80	100	125	150	200	250	300
	inch	2	2 1/2	3	4	5	6	8	10	12
L	mm	178.0	191.0	203.0	229.0	254.0	267.0	292.0	330.0	356.0
	inch	7.00	7.50	8.00	9.00	10.00	10.50	11.50	13.00	14.00
H	mm	411	411	462	514	629	709	922	1116	1300
	inch	16.18	16.18	18.19	20.24	24.76	27.91	36.30	43.94	51.18
D	mm	183	183	253	253	306	306	355	445	445
	inch	7.20	7.20	9.96	9.96	12.05	12.05	13.98	17.52	17.52

Note: Subject to change without prior notice due to products optimization.

Gate Valve

Resilient Seated OS&Y Type-Flanged Ends

Fig. 333FF-250(DN350-DN450)
333FF-200(DN500-DN600)



Valve Standard

Conforms to AWWA C515 / BS5163
Fusion bonded coating comply with AWWA C550

Working pressure

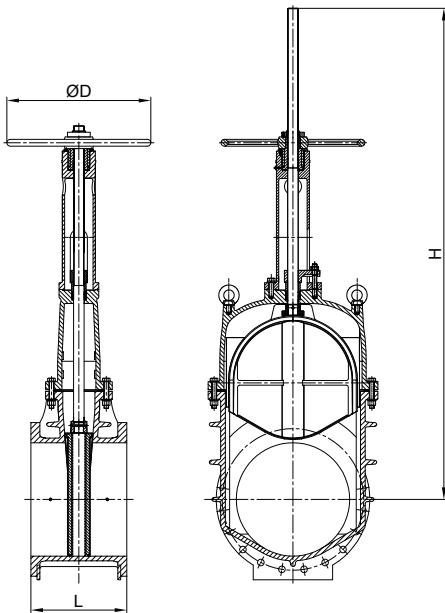
200PSI / 250PSI

Working Temperature

-10°C to 120°C

Connection Ends

ANSI B16.1 CLASS125/B16.42 CLASS150
EN1092-2 PN16



Materials List

Part Name	Material	Specification
Body	Ductile Iron	A536 65-45-12
Wedge	Ductile Iron EPDM Coated	
Wedge Nut	Stainless Steel	AISI304
Stem	Stainless Steel	AISI 304/420
Bonnet	Ductile Iron	A536 65-45-12
Gasket	EPDM	Commercial
Packing	PTFE	Non-asbestos
Stem Nut	Bronze	ASTM B62
Handwheel	Ductile Iron	A536 65-45-12

Dimensions(mm/inch):

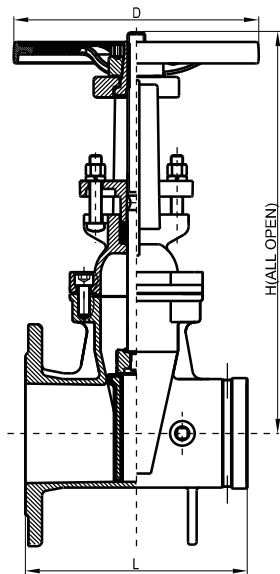
SIZE	mm	350	400	450	500	600
	inch	14	16	18	20	24
L	mm	381	406	432	457	508
	inch	15.00	15.98	17.01	17.99	20.00
H	mm	1577	1800	2048	2297	2600
	inch	62.09	70.87	80.63	90.43	102.36
D	mm	508	558	610	610	762
	inch	20.00	21.97	24.02	24.02	30.00

Note: Subject to change without prior notice due to products optimization.

Gate Valve

Resilient Seated OS&Y Type-Flange-Groove Ends

Fig. 333FG-300
333FG-250
333FG-200



Valve Standard

Conforms to AWWA C515 / BS5163
Fusion bonded coating comply with AWWA C550

Working pressure

200PSI / 250PSI / 300PSI

Working Temperature

-10°C to 120°C

Connection Ends

ANSI B16.1 CLASS125/B16.42 CLASS150
EN1092-2 PN16
AWWA C 606
VDS2100/AS2638.2

Materials List

Part Name	Material	Specification
Body	Ductile Iron	A536 65-45-12
Wedge	Ductile Iron EPDM Coated	
Wedge Nut	Stainless Steel	AISI304
Stem	Stainless Steel	AISI 304/420
Bonnet	Ductile Iron	A536 65-45-12
Gasket	EPDM	Commercial
Packing	PTFE	Non-asbestos
Stem Nut	Bronze	ASTM B62
Handwheel	Ductile Iron	A536 65-45-12

Dimensions(mm/inch):

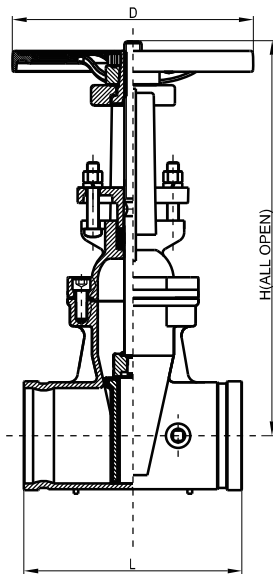
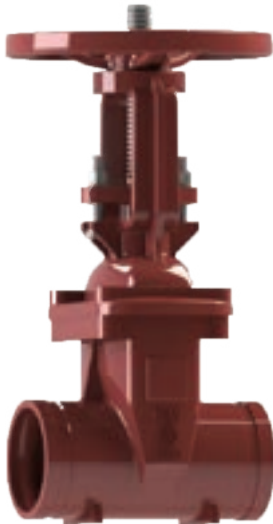
SIZE	mm	50	65	80	100	125	150	200	250	300
	inch	2	2 1/2	3	4	5	6	8	10	12
L	mm	178.0	191.0	203.0	229.0	254.0	267.0	292.0	330.0	356.0
	inch	7.00	7.50	8.00	9.00	10.00	10.50	11.50	13.00	14.00
H	mm	411	411	462	514	629	709	922	1116	1300
	inch	16.18	16.18	18.19	20.24	24.76	27.91	36.30	43.94	51.18
D	mm	183	183	253	253	306	306	355	445	445
	inch	7.20	7.20	9.96	9.96	12.05	12.05	13.98	17.52	17.52

Note: Subject to change without prior notice due to products optimization.

Gate Valve

Resilient Seated OS&Y Type-Groove-Groove Ends

Fig. 333GG-300
333GG-250
333GG-200



Valve Standard

Conforms to AWWA C515 / BS5163
Fusion bonded coating comply with AWWA C550

Working pressure

200PSI / 250PSI / 300PSI

Working Temperature

-10°C to 120°C

Connection Ends

AWWA C 606
VDS2100/AS2638.2

Materials List

Part Name	Material	Specification
Body	Ductile Iron	A536 65-45-12
Wedge	Ductile Iron EPDM Coated	
Wedge Nut	Stainless Steel	AISI304
Stem	Stainless Steel	AISI 304/420
Bonnet	Ductile Iron	A536 65-45-12
Gasket	EPDM	Commercial
Packing	PTFE	Non-asbestos
Stem Nut	Bronze	ASTM B62
Handwheel	Ductile Iron	A536 65-45-12

Dimensions(mm/inch):

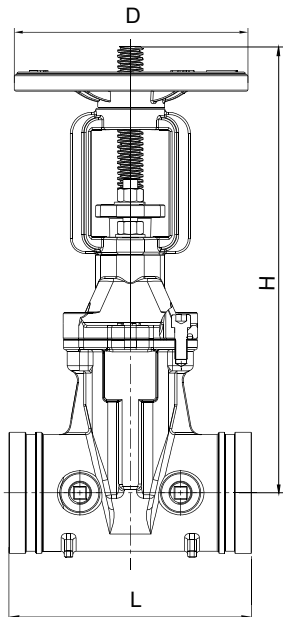
SIZE	mm	50	65	80	100	125	150	200	250	300
	inch	2	2 1/2	3	4	5	6	8	10	12
L	mm	178.0	191.0	203.0	229.0	254.0	267.0	292.0	330.0	356.0
	inch	7.00	7.50	8.00	9.00	10.00	10.50	11.50	13.00	14.00
H	mm	411	411	462	514	629	709	922	1116	1300
	inch	16.18	16.18	18.19	20.24	24.76	27.91	36.30	43.94	51.18
D	mm	183	183	253	253	306	306	355	445	445
	inch	7.20	7.20	9.96	9.96	12.05	12.05	13.98	17.52	17.52

Note: Subject to change without prior notice due to products optimization.

Gate Valve

Resilient Seated OS&Y Type-Groove-Groove Ends

Fig.341GG



Valve Standard

Conforms to AWWA C515 / BS5163
Fusion bonded coating comply with AWWA C550

Working Pressure

365PSI

Working Temperature

-10°C to 120°C

Connection Ends

AWWA C 606
VDS2100/AS2638.2

Materials List

Part Name	Material	Specification
Body	Ductile Iron	A536 65-45-12
Wedge Disc	Ductile Iron EPDM Coated	
Disc Nut	Bronze	ASTM B62
Stem	Stainless Steel	AISI 304
Gasket	EPDM	Commercial
Bonnet	Ductile Iron	A536 65-45-12
Thrust Collar	Bronze	ASTM C51100
Gland	Ductile Iron	A536 65-45-12
Wrench Nut	Ductile Iron	A536 65-45-12
Post Plate	Ductile Iron	A536 65-45-12

Dimensions(mm/inch)

Size	mm	50	65	80	100	125	150	200	250	300
	inch	2	2-1/2	3	4	5	6	8	10	12
L		178	191	203	229	254	267	292	330	356
H		409	409	463	522	715	715	913	1118	1300
D		160	160	220	220	280	280	370	420	420

Note: Subject to change without prior notice due to products optimization.

Gate Valve

Resilient Seated OS&Y Type-MJ-MJ Ends

Fig. 333JJ-300
333JJ-250
333JJ-200



Valve Standard

Conforms to AWWA C515 / BS5163
Fusion bonded coating comply with AWWA C550

Working pressure

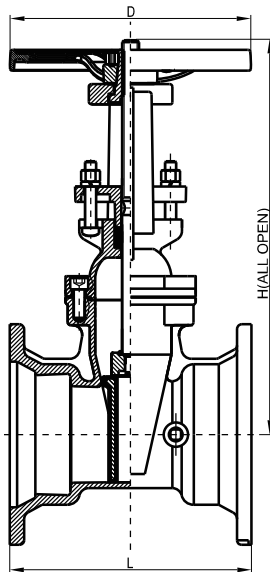
200PSI / 250PSI / 300PSI

Working Temperature

-10°C to 120°C

Connection Ends

AWWA C153/A21.11



Materials List

Part Name	Material	Specification
Body	Ductile Iron	A536 65-45-12
Wedge	Ductile Iron EPDM Coated	
Wedge Nut	Stainless Steel	AISI304
Stem	Stainless Steel	AISI 304/420
Bonnet	Ductile Iron	A536 65-45-12
Gasket	EPDM	Commercial
Packing	PTFE	Non-asbestos
Stem Nut	Bronze	ASTM B62
Handwheel	Ductile Iron	A536 65-45-12

Dimensions(mm/inch):

SIZE	mm	80	100	150	200	250	300
	inch	3	4	6	8	10	12
L	mm	241	254	292	318	375	378
	inch	9.49	10.00	11.50	12.52	14.76	14.88
H	mm	462	514	709	922	1116	1300
	inch	18.19	20.24	27.91	36.30	43.94	51.18
D	mm	253	253	306	355	445	445
	inch	9.96	9.96	12.05	13.98	17.52	17.52

Note: Subject to change without prior notice due to products optimization.

Gate Valve

Resilient Seated OS&Y Type-Flanged-MJ Ends

Fig. 333FJ-300
333FJ-250
333FJ-200



Valve Standard

Conforms to AWWA C515 / BS5163
Fusion bonded coating comply with AWWA C550

Working pressure

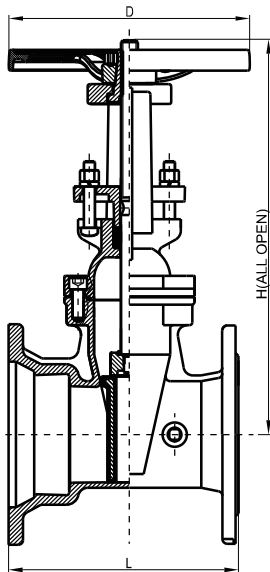
200PSI / 250PSI / 300PSI

Working Temperature

-10°C to 120°C

Connection Ends

AWWA C153/A21.11
ANSI B16.1 CLASS125/B16.42 CLASS150
EN1092-2 PN16



Materials List

Part Name	Material	Specification
Body	Ductile Iron	A536 65-45-12
Wedge	Ductile Iron EPDM Coated	
Wedge Nut	Stainless Steel	AISI304
Stem	Stainless Steel	AISI 304/420
Bonnet	Ductile Iron	A536 65-45-12
Gasket	EPDM	Commercial
Packing	PTFE	Non-asbestos
Stem Nut	Bronze	ASTM B62
Handwheel	Ductile Iron	A536 65-45-12

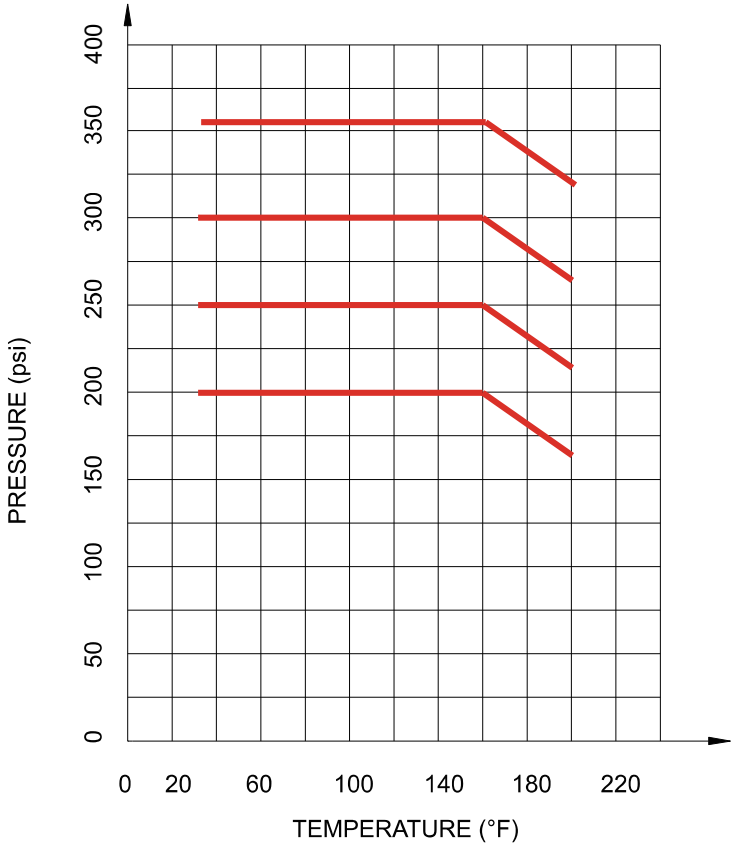
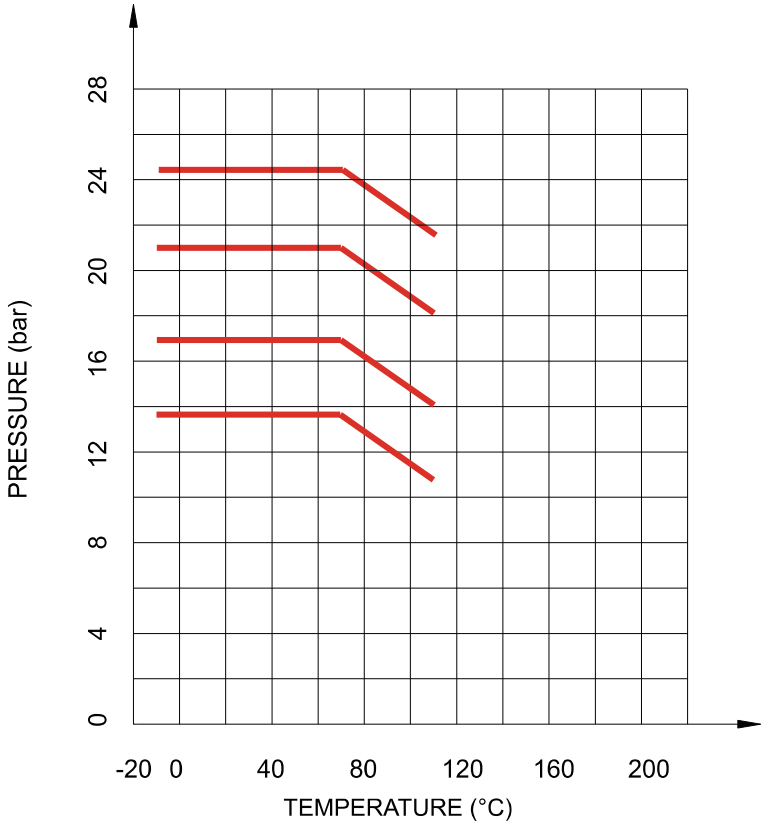
Dimensions(mm/inch):

SIZE	mm	80	100	150	200	250	300
	inch	3	4	6	8	10	12
L	mm	222	241.5	279.5	305	352.5	367
	inch	8.74	9.51	11.00	12.01	13.88	14.45
H	mm	462	514	709	922	1116	1300
	inch	18.19	20.24	27.91	36.30	43.94	51.18
D	mm	253	253	306	355	445	445
	inch	9.96	9.96	12.05	13.98	17.52	17.52

Note: Subject to change without prior notice due to products optimization.

Gate Valve

Pressure-Temperature Chart

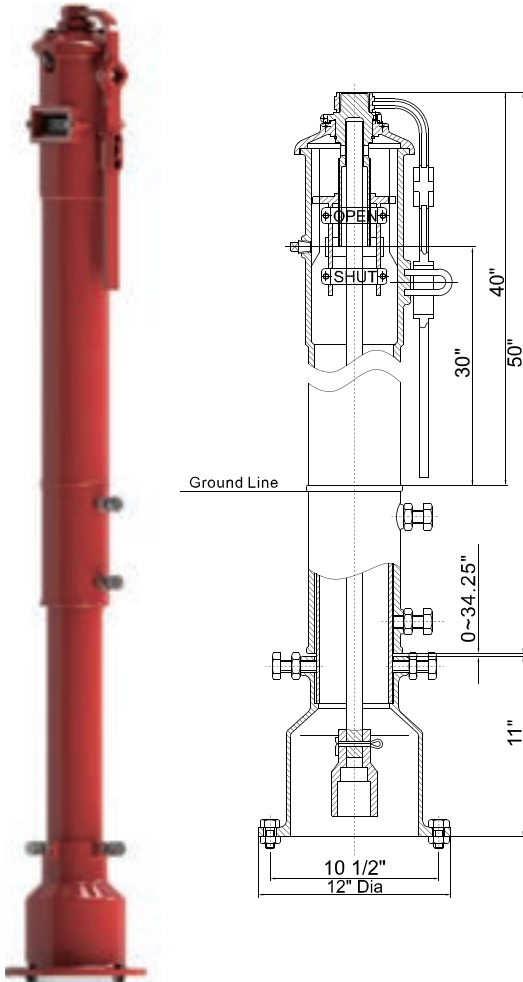
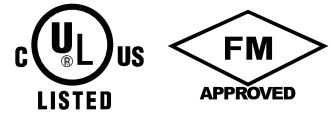


Note: Subject to change without prior notice due to products optimization.

Indicator Post

Indicator Post - Underground Type

Fig.G388



Materials List

Description	Material
Locking Wrench	ASTM A536
Operating Nut	AISI 304/ASTM B62
Hex Nut Screw	ASTM A105
Hex Nut	ASTM A105
Snap Ring	AISI 066
Taget Carrier Nut	AISI 304/ASTM B62
Taget	ASTM B108
Hex Cap Screw	ASTM A105
Window Glass	LEXAN-UN
Window Glass Gasket	PTFE
Hex Cap Screw	ASTM A105
Hex Nut	ASTM A105
Body	ASTM A536
Hex Cap Screw	ASTM A105
Hex Nut	ASTM A105
Base Flange	ASTM A536
Hex Cap Screw	ASTM A105
Hex Nut	ASTM A105
Crane Coupling	ASTM A536
Cotter Pin	AISI 304
Stand Pipe	ASTM A53
Stem	AISI 1045
Plug	AISI 304
Cover	ASTM A536
Cross Recessed Countersunk Head Screw	AISI 304
Locking Nose	ASTM 307 B

Valve Standard

Fusion bonded coating comply with AWWA C550

Field Adjustment:

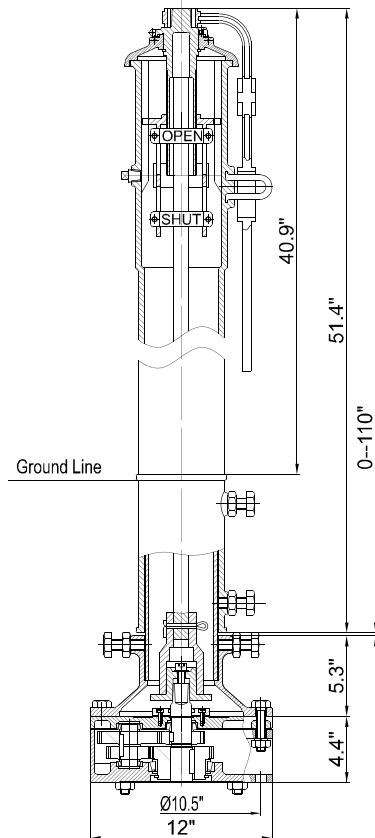
1. Remove the top section from the top of the Indicator Post assembly.
2. Cut the required length off the bottom of the Standpipe for the Ground Line to match up with Standpipe Ground Line mark.
3. Set the "OPEN" and "SHUT" targets for the appropriate valve size.
4. Reattach the Top Section to the top of the Indicator Post assembly.
5. Design and dimensions are subject to change without notice

Note: Subject to change without prior notice due to products optimization.

Indicator Post

Indicator Post - Underground Type

Fig.G322



Materials List

Description	Material
Locking Wrench	ASTM A536
Operating Nut	AISI 304/ASTM B62
Bolt	ASTMA105
Nut	ASTMA105
Flat Washer	ASTMA105
Shap Ring	AISI 606
Taget Carrier Nut	ASTM B62
Target	ASTM B108
Bolt	ASTMA105
Flat Washer	ASTMA105
Window Gland	ASTMA307B
Window Glass	LEXAN-UN STABILIZE
Gasket	EPDM
Bolt	ASTMA105
Spring Washer	ASTMA105
Nut	ASTMA105
Body	ASTMA536
Bolt	ASTMA105
Nut	ASTMA105
Base Flange	ASTMA536
Bolt	ASTMA105
Nut	ASTMA105
Crane Coupling	ASTMA536
Cotter Pin	AISI 304
Stand Pipe	ASTM A53
Stem 1" Square	AISI 1045
Plug	AISI 304
Top Cover	ASTMA536
Screw	AISI 304
Lock Nose	ASTMA307B
Reducer	PARTS
Bolt	ASTMA105
Nut	ASTMA105
Wrench Nut	ASTMA536
Washer	AISI 304
Hex. Socket Cap Screw	AISI 304
Spring Washer	AISI 304

Valve Standard

Fusion bonded coating comply with AWWA C550

Field Adjustment:

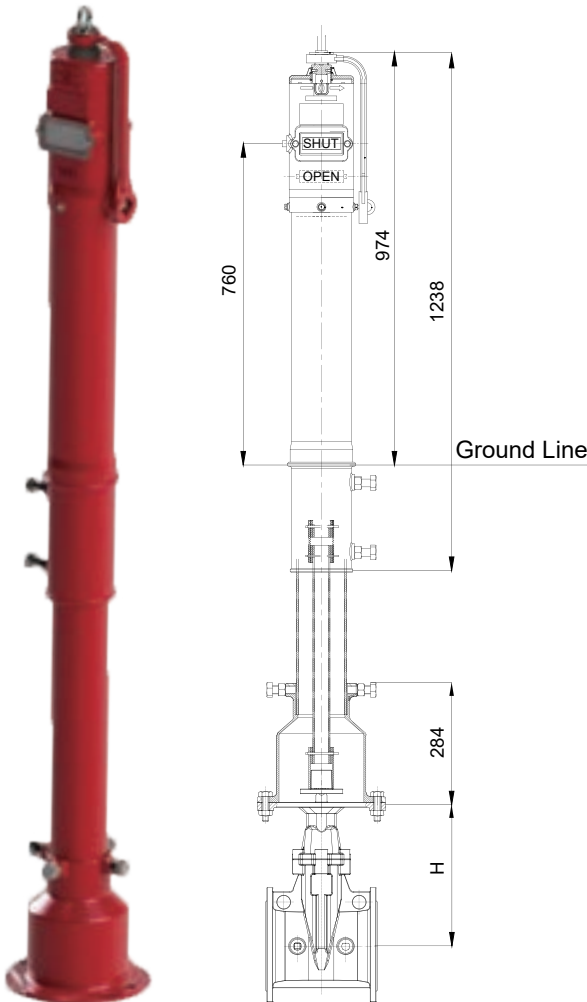
1. Remove the top section from the top of the Indicator Post assembly.
2. Cut the required length off the bottom of the Standpipe for the Ground Line to match up with Standpipe Ground Line mark.
3. Set the "OPEN" and "SHUT" targets for the appropriate valve size.
4. Reattach the Top Section to the top of the Indicator Post assembly.
5. Design and dimensions are subject to change without notice.

Note: Subject to change without prior notice due to products optimization.

Indicator Post

Underground Type

Fig.G345



Materials List

Description	Material
Hex Nut	STEEL/SS304
Hex Bolt	STEEL/SS304
Screw	STEEL/SS304
Plug	ASTM SS304
Body	STEEL/SS304
Pedestal	ASTM A536 65-45-12
Square Tube	AISI 1045
Cotter	WCB/SS304
Hoisting Ring	AISI 1045
Square Tube	AISI 1045
Support Barrel	ASTM A53
Lower Barrel-Second	ASTM A536 65-45-12
Lower Barrel-First	ASTM A536 65-45-12
Shut Indicator	ASTM 2024
Open Indicator	ASTM 2024
Seal Ring	EPDM
Plat Washer	STEEL/SS304
Hex Bolt	STEEL/SS304
Window	LEXAN-UN SATBLIZED
Window Cover	ASTM A307B
Body	ASTM A536 65-45-12
Operating Screw	ASTM SS304
Pin	STEEL/SS304
Retainer Ring	65Mn
Dust Cap	EPDM
Operating Nut	ASTM A536 65-45-12
Wrench	ASTM A536 65-45-12

Field Adjustment:

- 1.Remove the top section from the top of the indicator post assembly.
- 2.Cut the required length off the bottom of the Standpipe for the Ground Line to match up with Standpipe Ground Line mark.
- 3.Set the "OPEN" and "SHUT" targets for the appropriate valve size.
- 4.Reattach the Top Section to the top of the indicator Post assembly.

Dimensions(mm):

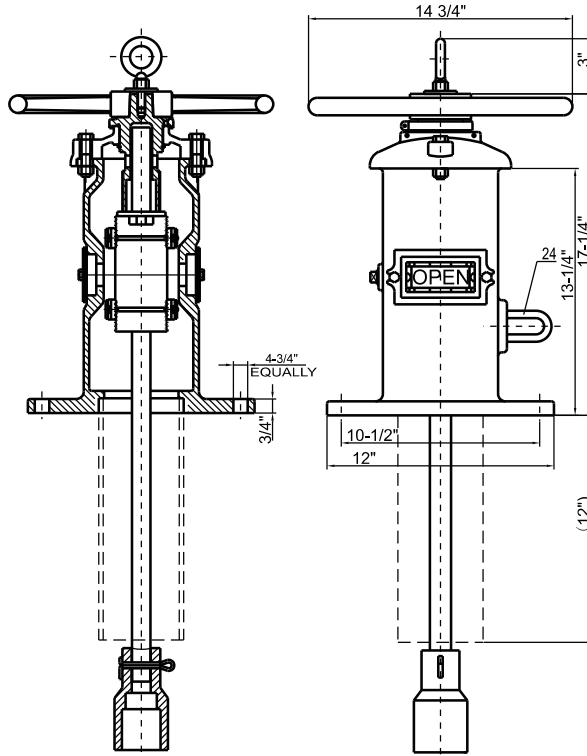
SZE	2"	2½"	3"	4"	5"	6"	8"	10"	12"
Min.Bury Depth	623	623	643	667	728	762	847	942	1028
Max.Bury Depth	1493	1493	1513	1537	1598	1632	1717	1812	1898
H	196	196	224	252	343	343	423	534	613

Note: Subject to change without prior notice due to products optimization.

Indicator Post

Indicator Post - Wall Type

Fig.W388



Valve Standard:

Fusion bonded coating comply with AWWA C550.

Field Adjustment:

1. Remove the top section from the top of the Indicator Post assembly.
2. Set the "OPEN" and "SHUT" targets for the appropriate valves size.
3. Reattach the Top Section to the top of the Indicator Post assembly
4. Design and materials are subject to change without notice.

Materials List

Description	Material
Lifting Eyey Bolt	ASTM A105
Hex Nut	ASTM A105
Washer	ASTM A105
Hand Wheel	ASTM A536
Operating Nut	ASTM B62/AISI 304
Hex Cap Screw	ASTM A105
Hex Nut	ASTM A105
Snap Ring	AISI 066
Target Carrier Nut	ASTM B62/AISI 304
Target	ASTM B108
Hex Cap Screw	ASTM A105
Window Glass	LEXAN-UN

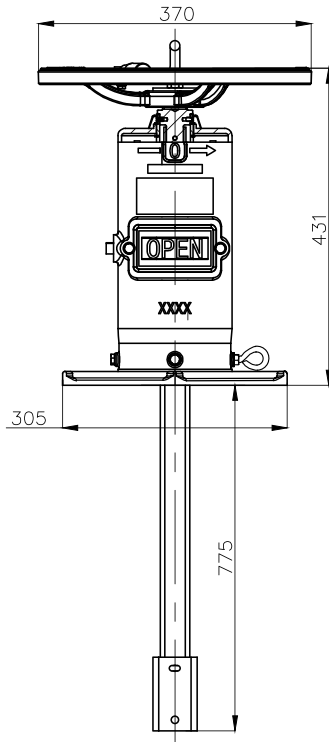
Description	Material
Window Glass Gasket	PTFE
Hex Cap Screw	ASTM A105
Hex Nut	ASTM A105
Body	ASTM A536
Stand Pipe	ASTM A53
Stem	AISI 1045
Cotter Pin	AISI 304
Crane Coupling	ASTM A536
Plug	AISI 304
Cover	ASTM A126B
Cross Recessed Countersunk Head Screw	AISI 304
Locking Nose	ASTM A307B

Note: Subject to change without prior notice due to products optimization.

Indicator Post

Wall Type

Fig.W345



Materials List

Description	Material
Hoisting Ring	ASTM A105
Hex Nut	ASTM A105
Hand Wheel	ASTM A536
Gasket	ASTM SS304
Operating Nut	ASTM A536
Dust Cap	EPDM
Rethiner Ring	65Mn
Pin	STEEL/SS304
Operating Screw	ASTM SS304
Body	ASTM A536
Window Cover	ASTM A307B
Window	EXAN-UN SATBLIZED
Hex Bolt	STEEL/SS304
Plat Washer	STEEL/SS304
Seal Ring	EPDM
Open Indicator	ASTM 2024
Shut Indicator	ASTM 2024
Flange	ASTM A536
Square Tube	AISI 1045
Handle	Parts
Screw	STEEL/SS304
Plug	ASTM SS304
Cotter	STEEL/SS304
Plat Washer	STEEL/SS304
Screw	STEEL/SS304
Hex Nut	STEEL/SS304

Field Adjustment:

- 1.Remove the top section from the top of the indicator post assembly.
- 2.Set the“OPEN” and “SHUT” targets for the apporprate valve size .
- 3.Reattach the Top Section to the top of the indicator Post assembly.

Note: Subject to change without prior notice due to products optimization.

Swing Check Valve

Resilient Seated Flanged Ends

Fig. 55FF-300
55FF-250
55FF-200



Valve Standard

Conforms to AWWA C508, Clear Waterway
Fusion bonded coating comply with AWWA C550

Working pressure

200PSI / 250PSI / 300PSI

Working Temperature

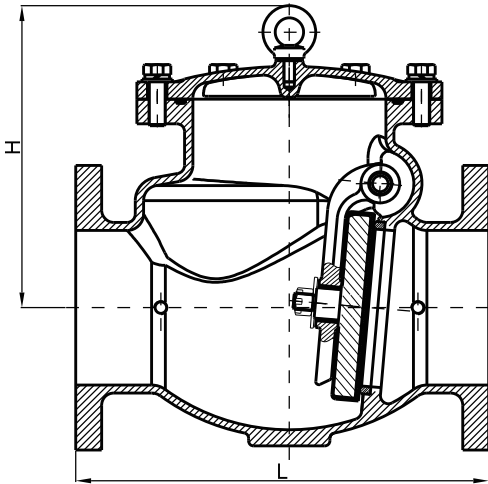
-10°C to 110°C

Flanged Ends

ANSI B16.1CLASS125/B16.42 CLASS150/B16.1CLASS250
EN1092-2 PN10/PN16/PN25
BS10 Table D/Table E

Materials List

Part Name	Material	Specification
Body	Ductile Iron	ASTM A536 65-45-12
Cover	Ductile Iron	ASTM A536 65-45-12
Clapper	Carbon Steel	A36+SS304+EPDM
Clapper Arm	Ductile Iron	ASTM A536 65-45-12
Hinge Pin	Stainless Steel	AISI 304
Seat	Bronze	ASTM C84400



Dimensions(mm/inch)

SIZE	mm	50	65	80	100	125	150	200	250	300
	inch	2	2½	3	4	5	6	8	10	12
L	mm	203	254	279	330	356	406	495	559	660
	inch	8	10	11	13	14	16	19.5	22	26
H	mm	117	128	132.5	222.5	290	297	365	417.5	453
	inch	4.61	5.04	5.22	8.76	11.42	11.69	14.37	16.44	17.83

Note: Subject to change without prior notice due to products optimization.

Swing Check Valve

Resilient Seated Grooved Ends

Fig. 50GG-365
50GG-300
50GG-250
50GG-200



Valve Standard

Fusion bonded coating comply with AWWA C550

Features

- Can be installed horizontally or vertically (with upward flow)
- Convenient to install and maintain
- Low pressure drop

Working pressure

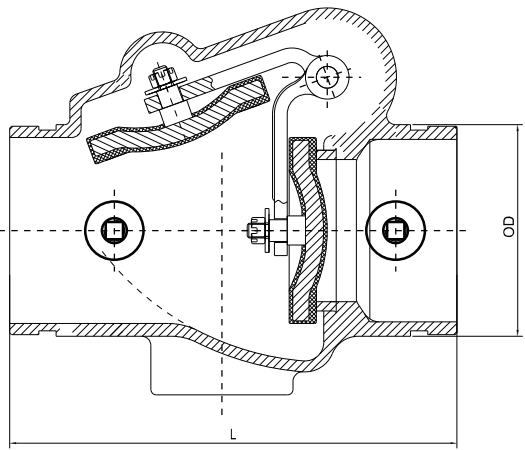
200PSI / 250PSI / 300PSI / 365PSI

Working Temperature

0°C to 80°C

Connection Ends

AWWA C 606
VDS2100



Materials List

Part Name	Material	Specification
Body	Ductile Iron	ASTM A536 65-45-12
Seat	Bronze	ASTM B62 C83600
Clapper	Q235+SS304+EPDM	
Clapper Arm	Stainless Steel	ASTM A351 CF8
Washer	Stainless Steel	AISI 304
Hexagonal Slot Thin Nut	Stainless Steel	AISI 304
Split Pin	Stainless Steel	AISI 304

Dimensions(mm/inch)

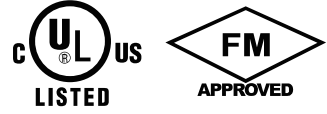
SIZE	mm	50	65	80	100	125	150	200	250	300
	inch	2	2½	3	4	5	6	8	10	12
L	mm	169	203	213	245	267	292	356	432	495
OD	mm	60.3	73.0/76.1	88.9	114.3	139.7/141.3	165.1/168.3	219.1	273	323.85

Note: Subject to change without prior notice due to products optimization.

Swing Check Valve

Resilient Seated Grooved Ends Riser (Shotgun)

Fig.50GGP-365
50GGP-300
50GGP-250
50GGP-200



Valve Standard

Fusion bonded coating comply with AWWA C550

Features

Can be installed horizontally or vertically (with upward flow)
Convenient to install and maintain
Low pressure drop

Working pressure

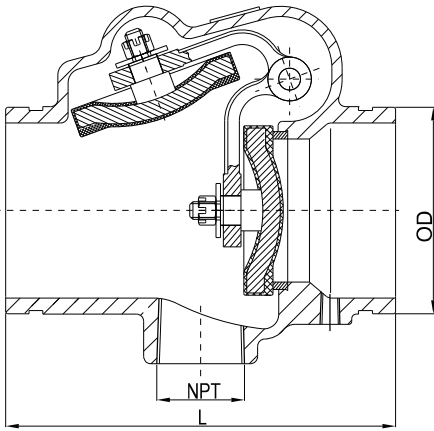
200PSI / 250PSI / 300PSI / 365PSI

Working Temperature

0°C to 80°C

Connection Ends

AWWA C 606
VDS2100



Materials List

Part Name	Material	Specification
Body	Ductile Iron	ASTM A536 65-45-12
Seat	Bronze	ASTM B62 C83600
Clapper	Q235+SS304+EPDM	
Clapper Arm	Stainless Steel	ASTM A351 CF8
Washer	Stainless Steel	AISI 304
Hexagonal Slot Thin Nut	Stainless Steel	AISI 304
Split Pin	Stainless Steel	AISI 304

Dimensions(mm/inch)

SIZE	mm	50	65	80	100	125	150	200	250	300
	inch	2	2½	3	4	5	6	8	10	12
L	mm	169	203	213	245	267	292	356	432	495
OD	mm	60.3	73.0/76.1	88.9	114.3	139.7/141.3	165.1/168.3	219.1	273	323.85
NPT	inch	1	1¼	1¼	2	2	2	2	2	2

Note: Subject to change without prior notice due to products optimization.

Check Valve

Resilient Seated Wafer Ends

Fig. 50W -300
50W-250
50W-200
50W-175



Valve Standard

Conforms to API 594

Working Pressure

175 PSI / 200PSI / 250PSI / 300PSI

Working Temperature

-20°C to 110°C

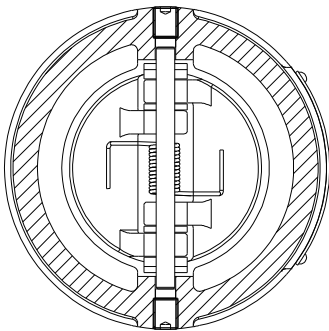
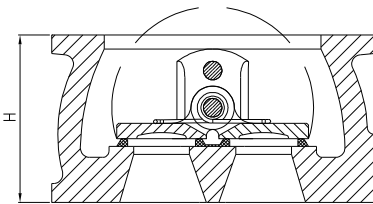
Flanged Ends

ASME B16.1 Class125

BS EN 1092-2 PN10/16

JISB2239 10K (Only for DN50-DN80/2"-3")

AS2129 TableD/TableE (Only for DN100-DN300/4"-12")



Materials List

Part	Material	ASTM Spec.
Body	Ductile Iron	A536 65-45-12
	Aluminum Bronze	B584 C95400
Disc	Stainless Steel	A351 CF8
	Stainless Steel	A351 CF8M
Stem	Stainless Steel	AISI 304
	Stainless Steel	AISI 316
Seat-Ring	EPDM	Commercial
Spring	Stainless Steel	AISI 304
	Stainless Steel	AISI 316

Note:

Lifting ring for DN200 (8") and above

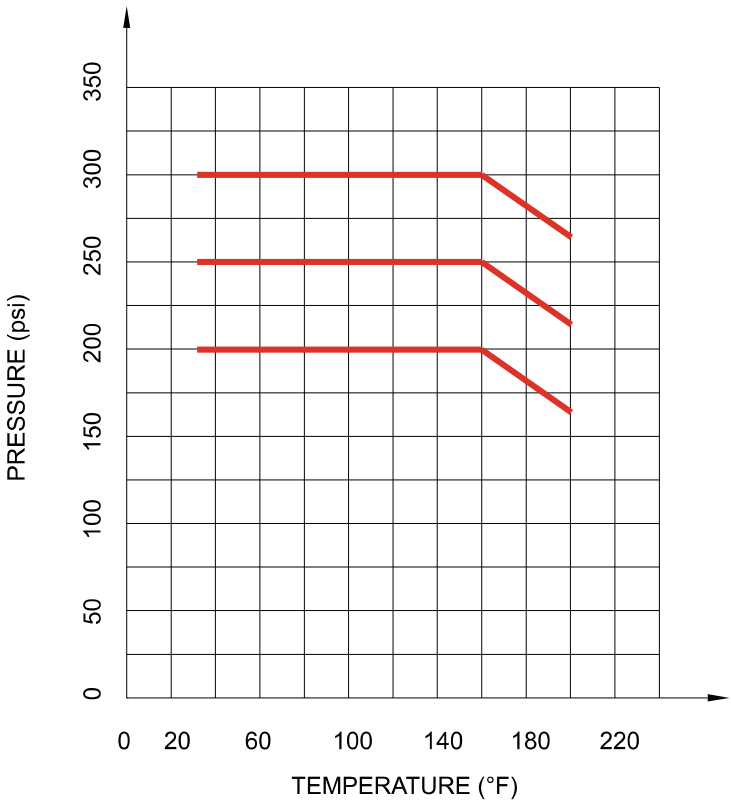
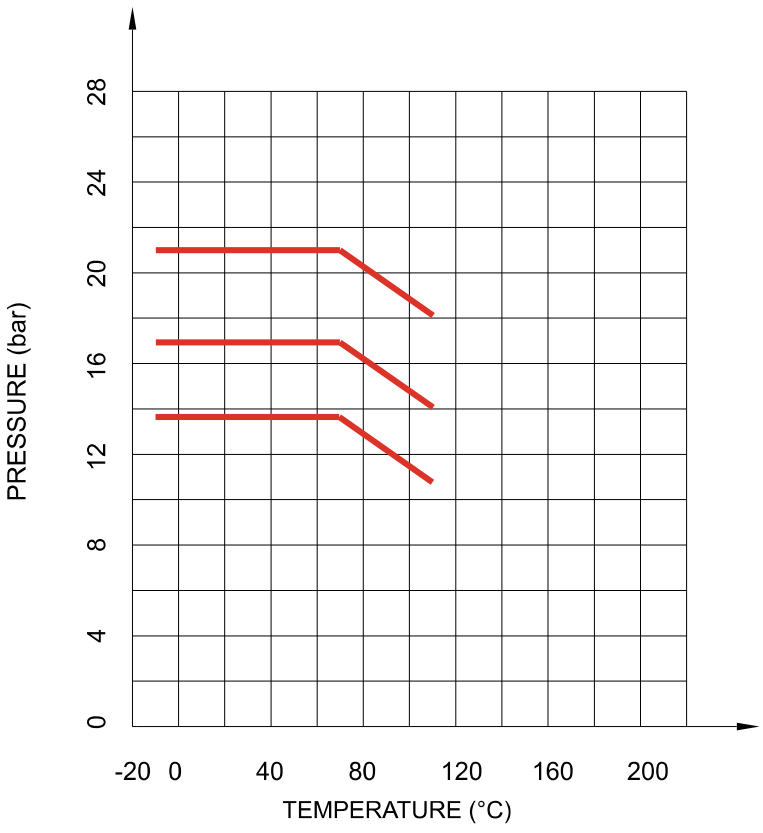
Dimensions(mm/inch)

SIZE	mm	50	65	80	100	125	150	200	250	300
	inch	2	2½	3	4	5	6	8	10	12
H	mm	54	60	67	67	83	95	127	140	181
	inch	2.13	2.36	2.64	2.64	3.27	3.74	5.00	5.51	7.13

Note: Subject to change without prior notice due to products optimization.

Check Valve

Pressure-Temperature Chart

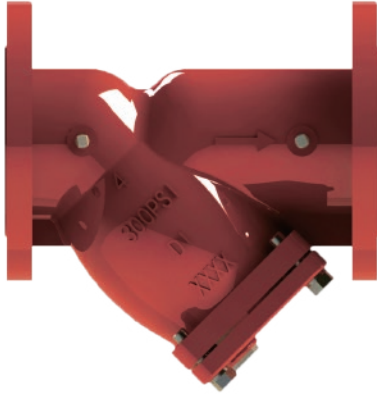


Note: Subject to change without prior notice due to products optimization.

Y Strainer

Flange-Flange Ends

Fig. 70FF-300
70FF-250
70FF-200



Valve Standard

Fusion bonded coating comply with AWWA C550

Working pressure

200PSI / 250PSI / 300PSI

Working Temperature

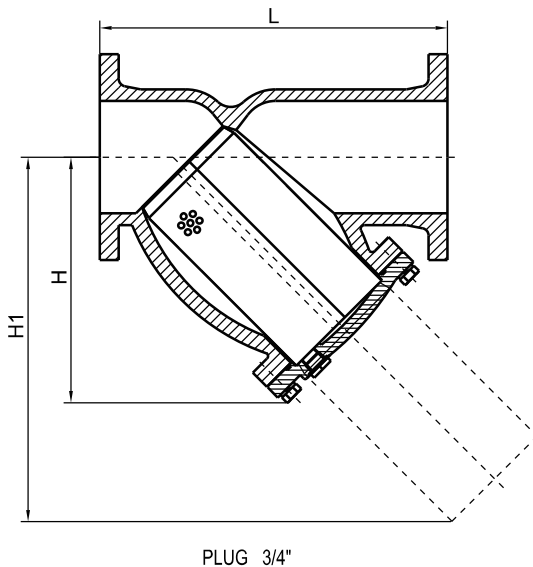
-10°C to 120°C

Flanged Ends

ANSI B16.1CLASS125/B16.42 CLASS150/B16.1CLASS250
EN1092-2 PN10/PN16/PN25
BS10 Table D/Table E

Materials List

Component	Material	Specification
Body	Ductile Iron	A536 65-45-12
Cover	Ductile Iron	A536 65-45-12
Screen	Stainless Steel	AISI 304
Gasket	EPDM	
Plug	Carbon Steel	



Dimensions(mm/inch)

SIZE	mm	50	65	80	100	125	150	200	250	300
	inch	2	2½	3	4	5	6	8	10	12
L	mm	203	254	260	308	398	472	550	654	762
	inch	7.99	10	10.24	12.13	15.67	18.58	21.65	25.75	30
H	mm	132	158	175	202	290	334	391	460	590
	inch	5.20	6.22	6.89	7.99	11.42	13.15	15.39	18.11	23.23
H1	mm	195	240	270	320	425	495	570	700	840
	inch	7.68	9.45	10.63	12.60	16.73	19.49	22.44	27.56	33.07

Note: Subject to change without prior notice due to products optimization.

Y Strainer

Flange-Groove Ends

Fig. 70FG-300
70FG-250
70FG-200



Valve Standard

Fusion bonded coating comply with AWWA C550

Working pressure

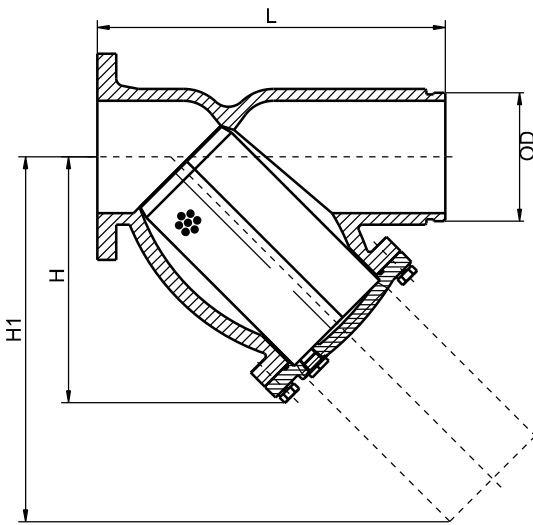
200PSI / 250PSI / 300PSI

Working Temperature

-10°C to 120°C

Flanged Ends

ANSI B16.1 CLASS125/B16.42 CLASS150/B16.1 CLASS250
EN1092-2 PN10/PN16/PN25
BS10 Table D/Table E
AWWA C 606
VDS2100



PLUG 3/4"

Dimensions(mm/inch)

SIZE	mm	50	65	80	100	125	150	200	250	300
	inch	2	2½	3	4	5	6	8	10	12
L	mm	203	254	260	308	398	472	550	654	762
	inch	8	10	10.24	12.13	15.67	18.58	21.65	25.75	30
H	mm	130	158	175	202	290	334	391	460	590
	inch	5.12	6.22	6.89	7.95	11.42	13.15	15.39	18.11	23.23
H1	mm	195	240	270	320	425	495	570	700	840
	inch	7.68	9.45	10.63	12.60	16.73	19.49	22.44	27.56	33.07
OD	mm	60.3	73.0/76.1	88.9	114.3	139.7/141.3	165.1/168.3	219.1	273	323.9
	inch	2.37	2.87/3	3.50	4.5	5.5/5.56	6.5/6.63	8.63	10.75	12.75

Materials List

Component	Material	Specification
Body	Ductile Iron	A536 65-45-12
Cover	Ductile Iron	A536 65-45-12
Screen	Stainless Steel	AISI 304
Gasket	EPDM	
Plug	Carbon Steel	

Note: Subject to change without prior notice due to products optimization.

Y Strainer

Groove-Groove Ends

Fig. 70GG-300
70GG-250
70GG-200



Valve Standard

Fusion bonded coating comply with AWWA C550

Working pressure

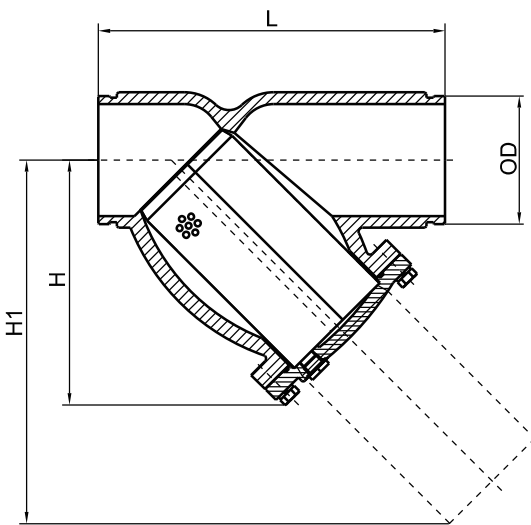
200PSI / 250PSI / 300PSI

Working Temperature

-10°C to 120°C

Flanged Ends

AWWA C 606
VDS2100



Materials List

Component	Material	Specification
Body	Ductile Iron	A536 65-45-12
Cover	Ductile Iron	A536 65-45-12
Screen	Stainless Steel	AISI 304
Gasket	EPDM	
Plug	Carbon Steel	

PLUG 3/4"

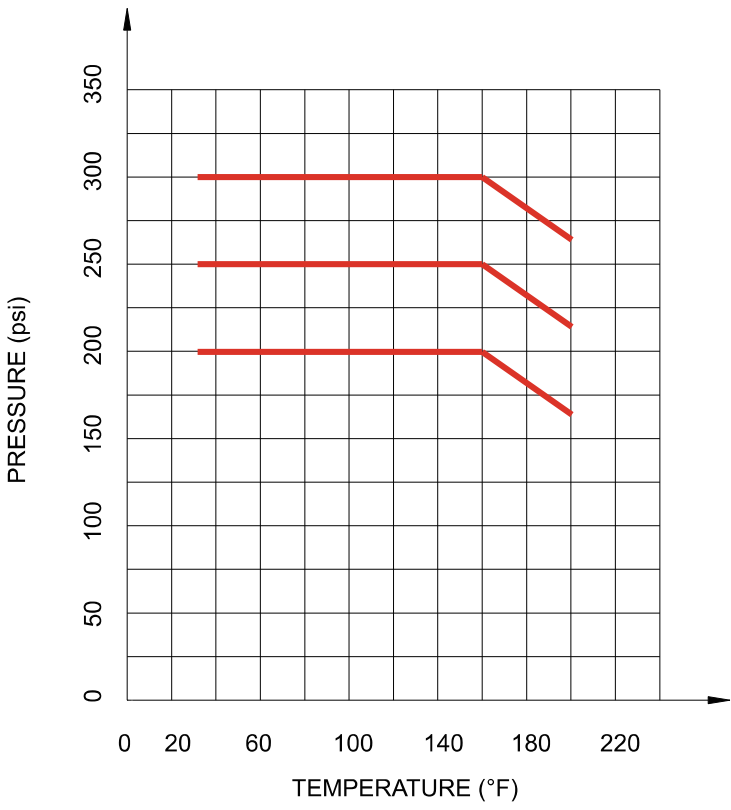
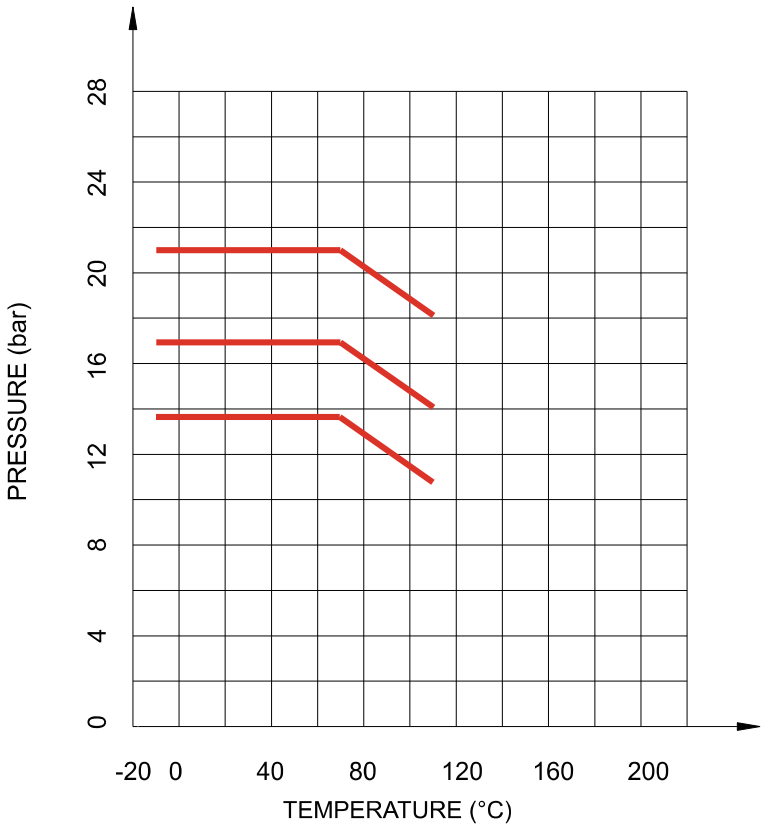
Dimensions(mm/inch)

SIZE	mm	50	65	80	100	125	150	200	250	300
	inch	2	2½	3	4	5	6	8	10	12
L	mm	230	254	272.4	308	398	472	550	654	762
	inch	9.06	10	10.71	12.13	15.67	18.58	21.65	25.75	30
H	mm	130	158	175	202	290	334	391	460	590
	inch	5.12	6.22	6.89	8	11.42	13.15	15.39	18.11	23.23
H1	mm	195	240	270	320	425	495	570	700	840
	inch	7.68	9.45	10.63	12.60	16.73	19.49	22.44	27.56	33.07
OD	mm	60.3	73.0/76.1	88.9	114.3	139.7/141.3	165.1/168.3	219.1	273	323.9
	inch	2.37	2.87/3	3.50	4.5	5.5/5.56	6.5/6.63	8.63	10.75	12.75

Note: Subject to change without prior notice due to products optimization.

Y Strainer

Pressure-Temperature Chart



Note: Subject to change without prior notice due to products optimization.

Butterfly Valve

Wafer Butterfly Valve With Signal Gear Box

Fig.25W-300
25W-250
25W-200



Valve Standard

Fusion bonded coating comply with FM1112, UL1091

Face-to-face Standard

ISO5752

Test Standard

FM1112, UL1091

Working pressure

200PSI / 250PSI / 300PSI

Working Temperature

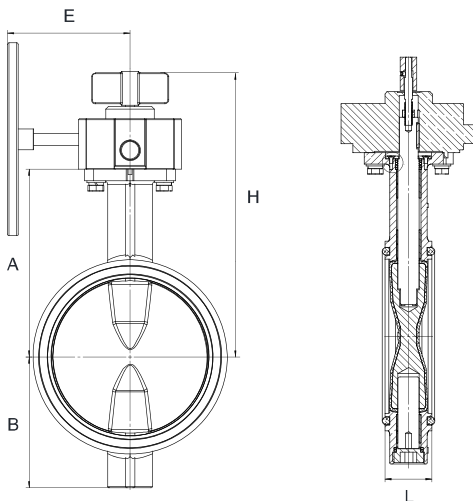
-10°C to 120°C

Flanged Ends

BS EN1092-2 / ASME B16.42 / Class150

Materials List

Component	Material	Specification
Body	Ductile Iron	ASTM A536
Disc	Ductile Iron EPDM Coated	ASTM A536+EPDM
Upper&Lower Stems	Stainless Steel	AISI 410
O-Ring	EPDM	
Bushing	Bronze	ASTM B150M C63000
Gland	Galvanized Carbon Steel Surface Passivation	
Washer	Galvanized Carbon Steel Surface Passivation	
Plug	Galvanized Carbon Steel Surface Passivation	
Gear Box Housing	Ductile Iron	ASTM A536
Gear Box Fasteners	Galvanized Carbon Steel Surface Passivation	



Dimensions(mm/inch)

SIZE	mm	50	65	80	100	125	150	200	250	300
	inch	2	2½	3	4	5	6	8	10	12
A	140.5	152.5	157.5	176	191	202.5	243.5	273	311	
B	72	78	85	105	128	140	170	205	258	
L	43	46	46	52	56	56	62	68	78	
E	125	125	125	125	140	140	159	159	228	
H	258.6	270.6	275.6	294	312	322.6	345.5	401	437	

Factory installed UL listed double Tamper Switches For indoor and Outdoor Use.

Note: Subject to change without prior notice due to products optimization.

Butterfly Valve

Lugged Butterfly Valve With Signal Gear Box

Fig.25L-200
25L-250
25L-300



Valve Standard

Fusion bonded coating comply with FM1112, UL1091

Face-to-face Standard

ISO5752

Test Standard

FM1112, UL1091

Working pressure

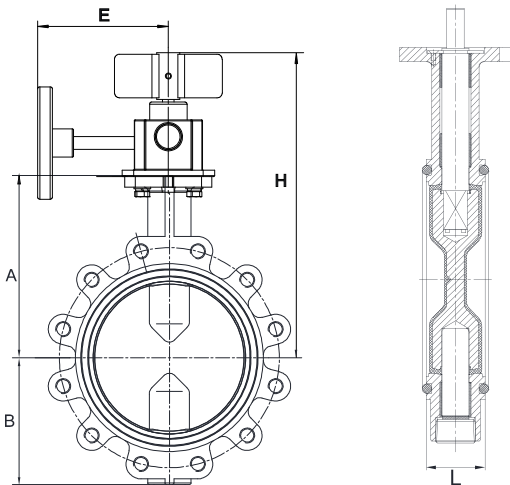
200PSI / 250PSI / 300PSI

Working Temperature

-10°C to 120°C

Flanged Ends

BS EN1092-2 / ASME B16.42 / Class150



Materials List

Component	Material	Specification
Body	Ductile Iron	ASTM A536
Disc	Ductile Iron EPDM Coated	ASTM A536+EPDM
Upper&Lower Stems	Stainless Steel	AISI 410
O-Ring	EPDM	
Bushing	Bronze	ASTM B150M C63000
Gland	Galvanized Carbon Steel Surface Passivation	
Washer	Galvanized Carbon Steel Surface Passivation	
Plug	Galvanized Carbon Steel Surface Passivation	
Gear Box Housing	Ductile Iron	ASTM A536
Gear Box Fasteners	Galvanized Carbon Steel Surface Passivation	

Dimensions(mm/inch)

SIZE	mm	50	65	80	100	125	150	200	250	300
	inch	2	2½	3	4	5	6	8	10	12
A	140.5	152.5	157.5	176	191	202.5	243.5	273	311	
B	78	78	85	105	128	140	170	205	258	
L	43	46	46	52	56	56	62	68	78	
E	125	125	125	125	140	140	159	159	228	
H	258.6	270.6	275.6	294	312	322.6	345.5	401	437	

Switches For indoor and Outdoor Use.

Note: Subject to change without prior notice due to products optimization.

Butterfly Valve

Grooved Butterfly Valve With Signal Gear Box

Fig. 25GG-200
25GG-250
25GG-300



Valve Standard

Fusion bonded coating comply with FM1112, UL1091

Face-to-face Standard

MSS-SP67 Long

Test Standard

FM1112, UL1091

Working pressure

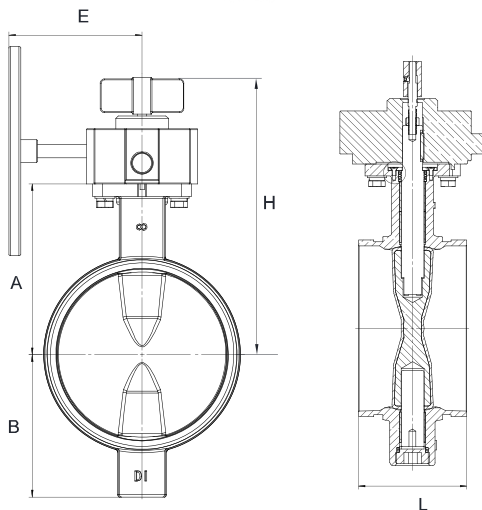
200PSI / 250PSI / 300PSI

Working Temperature

-10°C to 120°C

Flanged Ends

AWWA C606 / VDS 2100



Materials List

Component	Material	Specification
Body	Ductile Iron	ASTM A536
Disc	Ductile Iron EPDM Coated	ASTM A536+EPDM
Upper&Lower Stems	Stainless Steel	AISI 410
O-Ring	EPDM	
Bushing	Bronze	ASTM B150M C63000
Gland	Galvanized Carbon Steel Surface Passivation	
Washer	Galvanized Carbon Steel Surface Passivation	
Plug	Galvanized Carbon Steel Surface Passivation	
Gear Box Housing	Ductile Iron	ASTM A536
Gear Box Fasteners	Galvanized Carbon Steel Surface Passivation	

Dimensions(mm/inch)

SIZE	mm	50	65	80	100	125	150	200	250	300
	inch	2	2½	3	4	5	6	8	10	12
A	95	98	105	135	148	165	204	245	277.5	
B	72	78	85	105	128	140	170	205	258.3	
L	84.5	98	98	116	149	147.6	134	160	165	
E	125	125	125	125	140	140	159	159	228	
H	213	216	223	253	269	285	325	373	403.5	
ΦD	60.3	73/76.1	88.9	114.3	139.7/141.3	165.1/168.3	219.1	273	323.85	

Factory installed UL listed double Tamper Switches For indoor and Outdoor Use.

Note: Subject to change without prior notice due to products optimization.

Butterfly Valve

Resilient Seated Grooved Ends

Fig.20GG (Ductile Iron Body)
22G (Bronze Body)



Coating Standard

Fusion bonded coating comply with AWWA C550

Working pressure

175PSI

Working Temperature

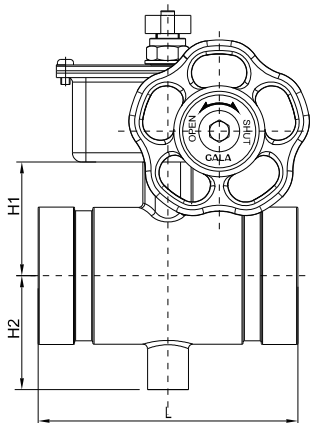
-20°C to 110°C

Flanged Ends

AWWA C606

Materials List

Part	Material	Specification
Body (20GG)	Ductile Iron	ASTM A536 65-45-12
Body (22G)	Bronze	ASTM B62 C83600
Disc	Steel+EPDM	ASTM 1045+EPDM
Upper Shaft	Stainless Steel	SS630
Lower Shaft	Stainless Steel	SS630
O-Ring	EPDM	
Gasket	Stainless Steel	AISI 304



Dimensions(mm/inch)

SIZE	mm	50	65
	inch	2	2½
H1	mm	50	55.5
	inch	1.97	2.19
H2	mm	50	55.5
	inch	1.97	2.19
L	mm	114	114
	inch	4.49	4.49

Factory installed UL listed double Tamper Switches For indoor and Outdoor Use.

Note: Subject to change without prior notice due to products optimization.

Butterfly Valve

Resilient Seated Screwed Ends

Fig.20T (Ductile Iron Body)
22T (Bronze Body)



Coating Standard

Fusion bonded coating comply with AWWA C550

Working pressure

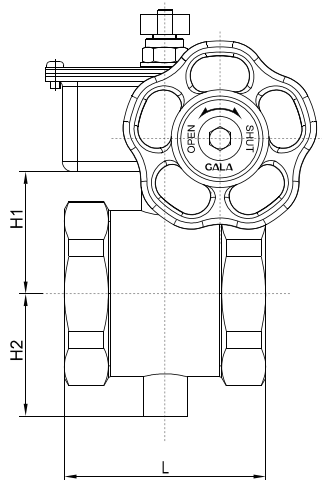
175PSI

Working Temperature

-20°C to 110°C

Flanged Ends

ASME B1.20.3 NPT/EN10226-1 Rp



Materials List

Part	Material	Specification
Body (20T)	Ductile Iron	ASTM A536 65-45-12
Body (22T)	Bronze	ASTM B62 C83600
Disc	Steel+EPDM	ASTM 1045+EPDM
Upper Shaft	Stainless Steel	SS630
Lower Shaft	Stainless Steel	SS630
O-Ring	EPDM	
Gasket	Stainless Steel	AISI 304

Dimensions(mm/inch)

SIZE	mm	25	32	40	50	65
	inch	1	1¼	1½	2	2½
H1	mm	37	42	44	50	55.5
	inch	1.46	1.65	1.73	1.97	2.19
H2	mm	29	35	41	50	55.5
	inch	1.14	1.38	1.61	1.97	2.19
L	mm	54	67	73	82.4	104
	inch	2.13	2.64	2.87	3.24	4.09

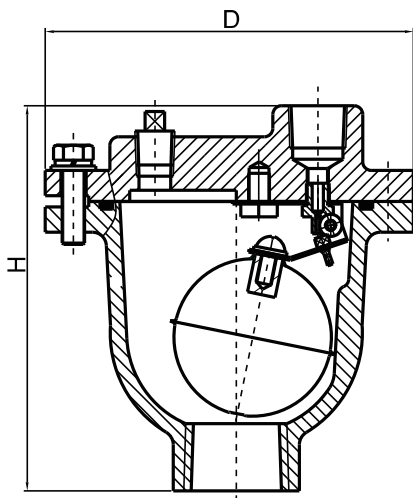
Factory installed UL listed double Tamper Switches For indoor and Outdoor Use.

Note: Subject to change without prior notice due to products optimization.

Air Release Valve

Screwed

Fig. 9712



Valve Standard

Fusion bonded coating comply with AWWA C550

Working pressure

200PSI

Working Temperature

-10°C to 120°C

Connection Ends

NPT/BSPT/BSPP

Materials List

Part	Material	ASTM Spec.
Body	Ductile Iron	A536 65-45-12
Cover	Ductile Iron	A536 65-45-12
Level	Stainless Steel	AISI 304
Seat Ring	Stainless Steel	AISI 304
Float	Stainless Steel	AISI 304
Float Arm	Stainless Steel	AISI 304
Orifice Button	Viton	Commercial

Dimensions

DN		Inlet	Outle	Orifice	D	H
mm	inch					
15	1/2	15	15	1.6	125	137
20	3/4	20	15	1.6	125	137
25	1	25	15	1.6	125	137

Note: Subject to change without prior notice due to products optimization.

Dry Barrel Fire Hydrant

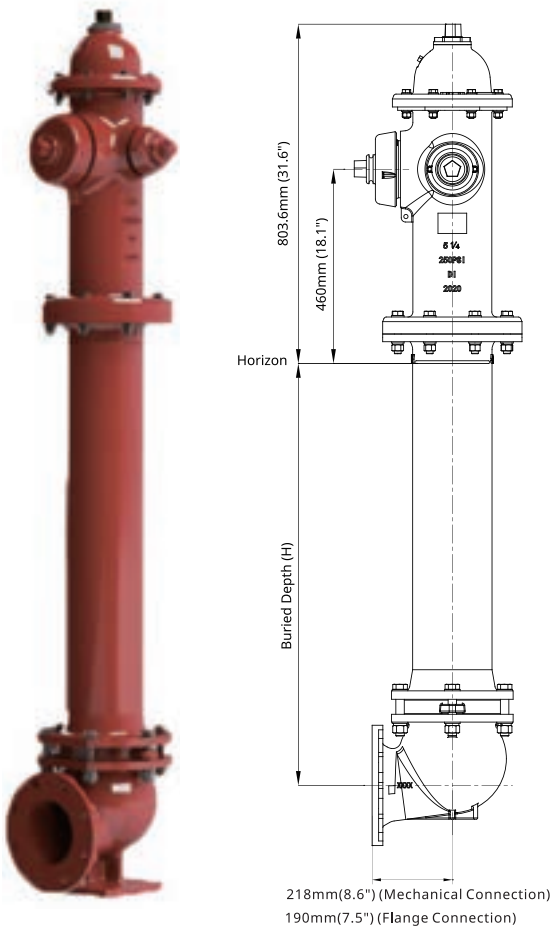
Fig. 1510



Technical Specification

Design Standard	FM 1510/UL 246/AWWA C502
Coating Standard	AWWA C550
Nozzle Thread Standard	NFPA 1963
Hose Nozzle	2-1/2"-Two
Pumper Nozzle	4" or 4-1/2"-One
Mechanical Jiont	Size: 6" ANSI/AWWA C111/A21.11 ANSI/AWWA C153/A21.53
Flange End	Size: 6" ANSI Class 125 / 150 BS EN1092-2 PN10 / 16
Working Pressure	250PSI

Part name	Material
Operating Nut	C84400
Dust Ring	EPDM
Lock Nut	CF8
Antifricition Mat	C63000/PTFE
Plug	SS304
Cover	65-45-12
Uper Hydrant Body	6-4-12
Top Shaft	SS420/45
Gland	SS304
Fire Engine Nozzle Cap	65-45-12
Fire Engine Nozzle Gasket	EPDM
Fire Engine Nozzle	C84400
Steel Wire Rope	SS304 Plastic Coated
O-Ring	EPDM
Coupling	SS420/45
Lower Hydrant Body	65-45-12
Safety Flange	65-45-12
Under Shaft	SS420/45
Drain Valve Cover	65-45-12
MJ Elbow Body	65-45-12
Hexagon Head Blots	SS304
Flat Washer	SS304
Spring Washer	SS304
Hexagonal Nut	SS304
Drain Valve Cover Seal	EPDM
Pin	SS304
Cotter Pin	SS304
Uper Fire Hydrant Body Seal	EPDM
Hexagon Socket Head Screws	SS304
Hose Nozzle Cap	65-45-12
Hose Nozzle Gasket	EPDM
Hose Nozzle	C84400
Hexagon Socket Set Screws	SS304
Drain Valve Cap	C84400+EPDM
Spring	SS304
Seat	C84400
Tablet	65-45-12
Disc Sealing Ring	EPDM
Disc	65-45-12
Nut Press Ring	65-45-12+EPDM



Buried Depth (H)

inch	1'	2'	3'	3'-6"	4'-0"	4'-6"	5'-0"	5'-6"	6'-0"	6'-6"	7'-0"
mm	326	543	848	1001	1153	1306	1458	1611	1763	1916	2068

Note: Subject to change without prior notice due to products optimization.

Dry Barrel Fire Hydrant

Fig.1511



Technical Specification

Design Standard	FM 1511/UL 246/AWWA C503
Coating Standard	AWWA C550
Hose Nozzle	2.5" *2
Pumper Nozzle	4.5" or 4" *1
Nozzle Standard	NFPA 1963
Monitor Flange	Size: 4"-ANSI Class125
Inlet Flange Connection	Size: 6"-ANSI Class125/150 BS EN 1092-2 PN10/16
Working Pressure	250PSI

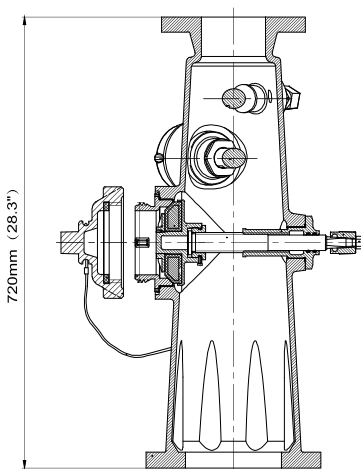
Part Name	Material
Hydrant Body	65-45-12
Steel Wire Rope	SS304 Plastic coated
O-Ring	EPDM
FireEngineNozzle Cap	65-45-12
FireEngine Nozzle	C84400
FireEngi neNozzle Gasket	EPDM
4.5" Gland	CF8
Inner Six Angle Flat End Set Screw	A2
4.5" Disc Sealing Ring	EPDM
4.5" Disc	CF8
Shaft	SS304/SS420
Fixed Nut	CF8
Inner Six Angle Cylindrical Head Screw	A2-70
4.5" Shaft Nut	C84400
Operating Nut	CF8
Hexagonal Nut	A2-70
Hose Nozzle Cap	65-45-12
Hose Nozzle	C84400
Hose Nozzle Gasket	EPDM
2.5" Gland	CF8
2.5" Disc Sealing Ring	EPDM
2.5" Disc	CF8
Shaft Stem Nut	C84400
Inner Six Angle Set Screw	Carbon Steel + Zn



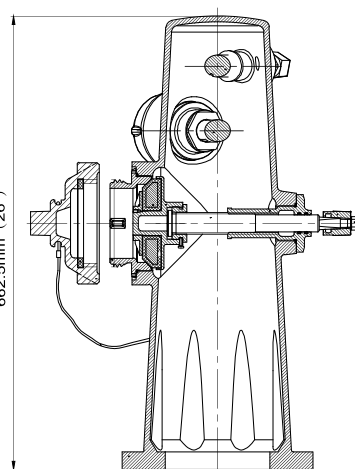
2H1PM



2H1P



2H1PM



2H1P

Note: Subject to change without prior notice due to products optimization.

Wet Barrel Fire Hydrant

Fig.1511



Technical Specification

Design Standard	FM 1511/UL 246/AWWA C503
Coating Standard	AWWA C550
Nozzle Standard	NFPA 1963
Hose Nozzle	2.5" *1
Pumper Nozzle	4.5" or 4" *1
Monitor Flange	Size: 4"-ANSI Class125/150
Inlet Flange Connection	Size: 6"-ANSI Class125/150 BS EN 1092-2 PN10/16
Working Pressure	250PSI

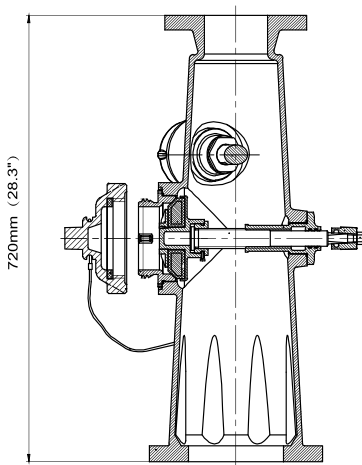
Part Name	Material
Hydrant Body	65-45-12
Steel Wire Rope	SS304 Plastic coated
O-Ring	EPDM
FireEngineNozzle Cap	65-45-12
FireEngine Nozzle	C84400
FireEngi neNozzle Gasket	EPDM
4.5" Gland	CF8
Inner Six Angle Flat End Set Screw	A2
4.5" Disc Sealing Ring	EPDM
4.5" Disc	CF8
Shaft	SS304/SS420
Fixed Nut	CF8
Inner Six Angle Cylindrical Head Screw	A2-70
4.5" Shaft Nut	C84400
Operating Nut	CF8
Hexagonal Nut	A2-70
Hose Nozzle Cap	65-45-12
Hose Nozzle	C84400
Hose Nozzle Gasket	EPDM
2.5" Gland	CF8
2.5" Disc Sealing Ring	EPDM
2.5" Disc	CF8
Shaft Stem Nut	C84400
Inner Six Angle Set Screw	Carbon Steel + Zn



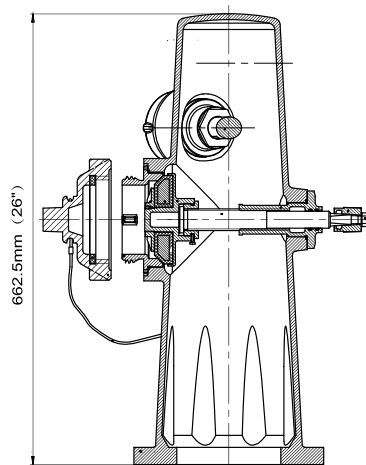
1H1PM



1H1P



1H1PM

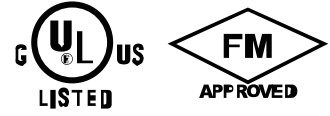


1H1P

Note: Subject to change without prior notice due to products optimization.

Wet Barrel Fire Hydrant

Fig. 1511



Technical Specification

Design Standard	FM 1511/UL 246/AWWA C503
Coating Standard	AWWA C550
Nozzle Standard	NFPA 1963
Hose Nozzle	2.5"*2
Montor Flange	Size:4"-ANSI Class 125/150
Inlet Flange Connection	Size:6"-ANSI Class 125/150 BS EN 1092-2PN10/16
Working Pressure	250PSI

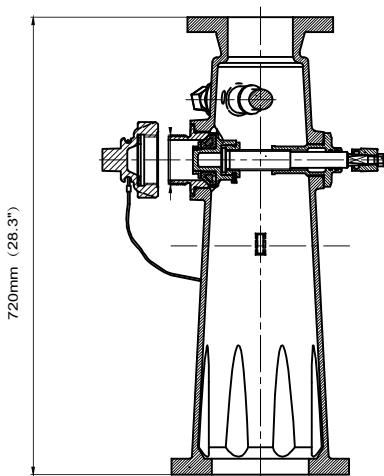
Part Name	Material
Hydrant Body	65-45-12
Steel Wire Rope	SS304 Plastic coated
0-Ring	EPDM
Hose Nozzle Cap	65-45-12
Hose Nozzle	C84400
Hose Nozzle Gasket	EPDM
2.5" Gland	CF8
Inner Six Angle Flat End Set Screw	A2
2.5" Disc Sealing Ring	EPDM
2.5" Disc	CF8
Shaft	SS304/SS420
Fixed Nut	CF8
Inner Six Angle Cylindrical Head Screw	A2-70
Shaft Nut	C84400
Operating Nut	CF8
Hexagonal Nut	A2-70
Inner Six Angle Set Screw	Carbon Steel + Zn



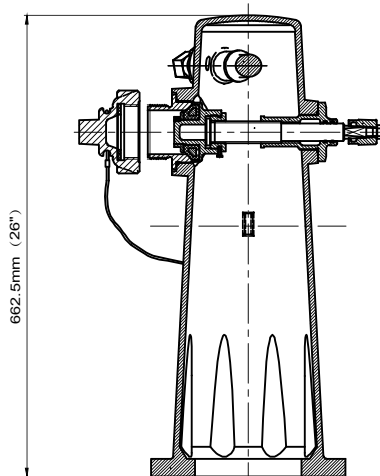
2H0PM



2H0P



2H0PM

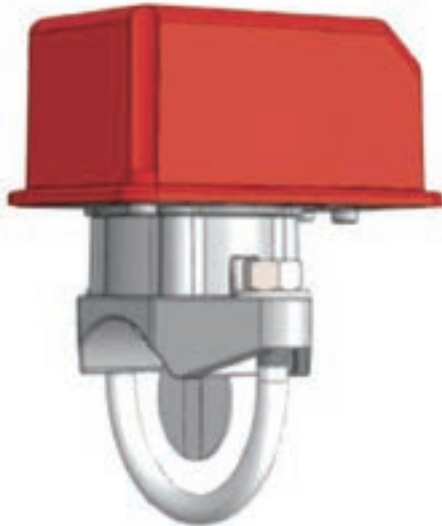


2H0P

Note: Subject to change without prior notice due to products optimization.

Water Flow Detector With Retard

Fig.1042-V

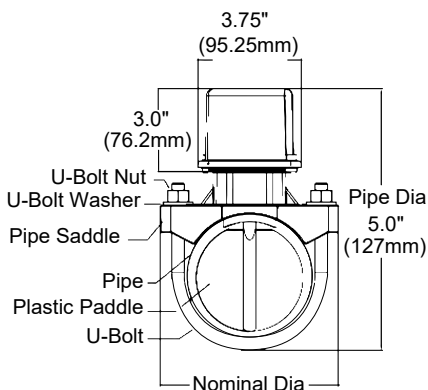


DESCRIPTION

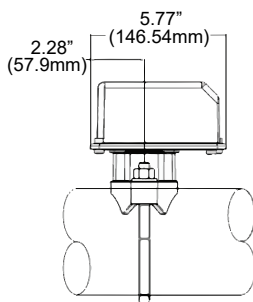
The 1042-V is a vane type water flow detector for use on fire protection and wet sprinkler system. It is suitable for use with Schedule 10 through 40 steel pipe of 2" to 8", and can be installed in vertical or horizontal pipe. The detectors shall have a sensitivity in the range of 4 to 10 gallons per minute, and a service pressure up to 450psi. 1042-V will respond to waterflow in the specified direction after preset time delay that is adjustable on site.

FEATURES AND SPECIFICATIONS

- Two conduit opening of 1/2". One open; one knock-out type
- Sensitivity Range : 4 ... 10 usgpm
- Contact Rating : Two sets of SPDT (Form C) 10Amps (125 / 250 VAC) / 2Amps (24 VDC)
- Enclosure Rating : NEMA 4- suitable for indoor / outdoor
- Compatible Pipe: 2" to 8"
- Special tamper screws to prevent disassembly
- Maximum Surge : 5.5m/s
- Time delay adjustment via rotating dial
- Two sets Micro-switch, 100% synchronization
- Working pressure : Max. 31bar / 450psi
- Working temperature : 4.5°C ... 49°C



Nominal Dia 5.15" (130.8mm) for 2" ... 2½" (DN50 ... DN65)
 Nominal Dia 2.05" (52.1mm) for 3" ... 8" (DN80 ... DN200)



ORDERING MODEL AND SIZE

MODEL	PIPE SIZE	HOLE SIZE
1042-V-050	50mm (2")	31.8mm (1¼")
1042-V-065	65mm (2.5")	31.8mm (1¼")
1042-V-080	80mm (3")	50.8mm (2")
1042-V-100	100mm (4")	50.8mm (2")
1042-V-150	150mm (6")	50.8mm (2")
1042-V-200	200mm (8")	50.8mm (2")

Note: Subject to change without prior notice due to products optimization.

Water Flow Detector With Retard

Fig.1042-V



INSTALLATION GUIDE

The 1042-V water flow detector may be mounted on a horizontal or vertical pipe. On horizontal pipe, it should be installed on the top side of the pipe where they will be accessible. The detector should not be installed within 6" (150mm) of a fitting which changes the direction of the waterflow or within 24" (600mm) of a valve or drain.

Drain the system and drill a hole on the pipe. The 2" (50mm) and 2½" (65mm) detectors require a hole with a diameter of 1¼" +/- 0.08" (31.8mm +/- 2mm). All other sizes require a hole with a diameter of 2" +/- 0.08" (50.8mm +/- 2mm).

Clean the inside pipe of all growth or other material for a distance equal to the pipe diameter on either side of the hole.

Roll the vane so that it may be inserted into the hole; do not bend or crease it. Insert the vane with the arrow on the saddle points in the direction of the waterflow.

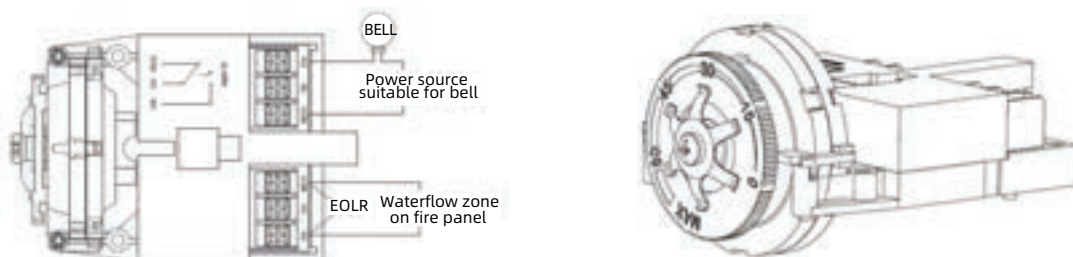
Do not leave cover off for an extended period of time.

Retard Adjustment : The delay can be adjusted by rotating the retard adjustment knob from 0~Max position (0~90 secs). Factory setting is position 2 (Delay time is approximate 30 seconds). The time delay should be set at the minimum required to prevent false alarms.

CAUTION	
Hole must be drilled perpendicular to the pipe and vertically centered.	
CORRECT	INCORRECT

ELECTRICAL CONNECTIONS AND TIME DELAY ADJUSTMENT

The 1042-V water flow detector have two switches, one can be used to operate a central station, proprietary or remote signaling unit, while the other contact is used to operate a local device or visual annunciator.



Note : Retard Structure can be set from "0" to "MAX" position, delay time can be set from 0~90 secs.

Note: Subject to change without prior notice due to products optimization.

Water Flow Detector With Retard

Fig.1042-T



FEATURES

- FM Approved.
- Rating Working Pressure: FM-Max 450PSI (3.1MPa)
- Flow Sensitivity Range for Signal: 4-10GPM (15.0-37.5L/min)
- Maximum Surge: 18FPS (5.5m/s)
- Contact Ratings: Two sets of SPDT (Form C)
 - 10.1Amps at 125/250 VAC
 - 2.0Amps at 24 VDC
- Operating Temperature Range: 40° F to 120° F (4.5°C to 49°C)
- Enclosure Rating: NEMA 4- suitable for indoor/outdoor use
- Conduit Entrances: Two opening for 1/2" conduit
One open, one knock-out type
- Compatible Pipe: Fits 1", 1-1/4", 1-1/2" and 2" ferrous and brass threaded tees
- COVER Material: Aluminum Die-casting. Alternative Material Plastic

ENGINEERING SPECIFICATIONS

The 1042-T water flow detector shall be installed in a tee that has a 1 inch NPT side outlet include 1in.、 1-1/4 in.、 1-1/2 in. and 2in. as designated on the drawing and/or as specified herein. Water flow detectors shall mount on any clear pipe span of the appropriate nominal size, either a horizontal or vertical pipe. The detector shall respond to water flow in the specified direction after a preset time delay that is field adjustable. The retard structure shall be a sealed mechanical pneumatic unit with visual time delay adjustment.

INSTALLATION

The 1042-T water flow detector may be mounted on horizontal or vertical pipe. On horizontal pipe they should be installed on the top side of the pipe where they will be accessible. The devices should not be installed within 6"(150mm) of a fitting which changes the direction of the water flow within 24"(600mm) of a valve or drain. Select the proper paddle for the pipe size and type of TEE used according to below table changing paddle refer to Fig.2. The unit has 1" NPT male thread for installation into a TEE. Refer to Fig.1 for proper TEE size and installation. Use no more than three wraps of Teflon tape.

Screw the device into the TEE fitting as shown in Fig.1. Care must be taken to properly orient the device for the direction of water flow. The vane must not rub the inside of the TEE or bind in any way. The stem should move freely when operated by hand.

Water Flow Detector With Retard

Fig.1042-T



NOTE: Do not leave cover off for an extended period of time. Retard Adjustment: The delay can be adjusted by rotating the retard adjustment knob from 0~Max position (0~90secs). Factory setting is position 2 (Delay time is approximate 30 seconds). The time delay should be set at the minimum required to prevent false alarms.

Fig.1

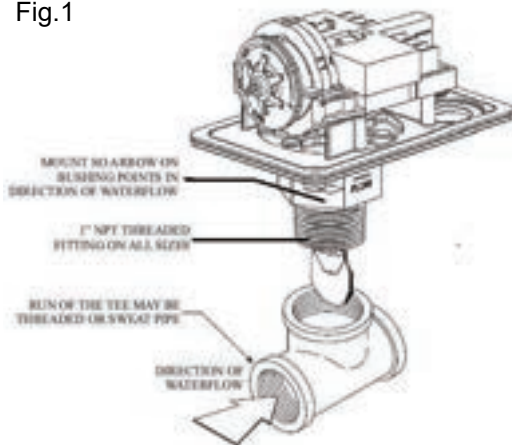
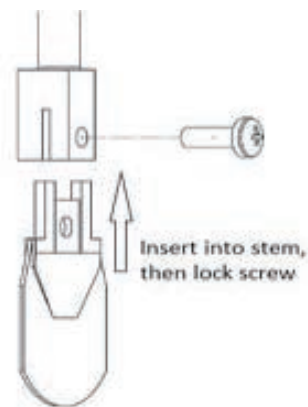


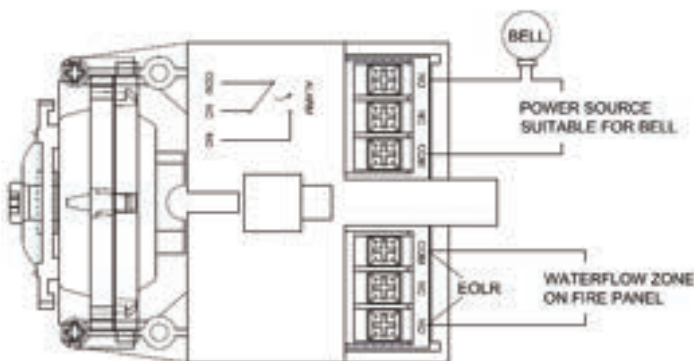
Fig.2



Field Typical Electrical Connections:

Notes:

The 1042-T water flow detector has two switches, one can be used to operate a central station, proprietary or remote signaling unit, while the other contact is used to operate a local device or visual annunciator.



This additional pin hole would allow the wrench (coming with the device) to insert into it and temporarily stop the device from functioning causing false alarm during the maintenance. When the wrench is in there, it also prevents the red device cover to be removed.

Dimensions (mm, Inch)

SIZE	1"DN25	1-1/4"DN32	1-1/2"DN40	2"DN50
W	88.90/3.50	88.90/3.50	88.90/3.50	88.90/3.50
H	165.00/6.50	173.65/6.84	180.00/7.08	193.20/7.61
D (Depth)	54/2.12	62.5/2.46	69/2.71	82/3.22

Note: Subject to change without prior notice due to products optimization.

Brass Valve

Test and Drain

Fig.1601



Valve Standard

Positive positioning of handle for OFF TEST or DRAIN

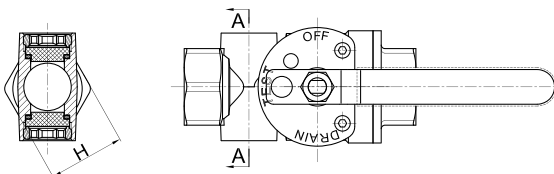
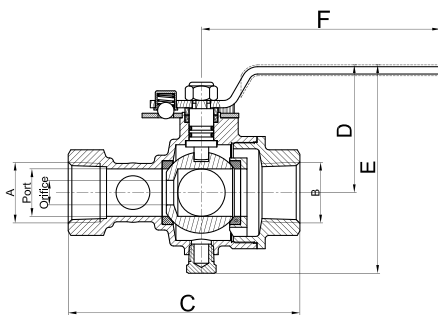
- Only 2 threaded connections
- Large, integral sight glass on both sides
- 1/2"(nominal) test orifice

Working Pressure

365psi

Materials List

Part	Material	Specification
Body	Brass	C37700
Seat	PTFE	
Ball	Brass	C37700
Stem	Brass	C37700
O-Ring	NBR	
Lever	Stainless Steel	
Gland	Brass	C37700
Cap	Brass	C37700
Spring	Stainless Steel	A351 CF8
Washer	NBR	
Nut	Stainless Steel	



Dimensions(mm/inch)

A/B(Orifice)	Orifice	Port	A	B	C	D	H
1"	1/2"	1.024"	5"	2.76"	5.16"	4.5"	1.65"
1-1/4"	1/2"	1.024"	5"	2.76"	5.16"	4.5"	1.65"
2"	1/2"	1.575"	6.57"	3.5"	6.34"	5.8"	2.28"

Note: Subject to change without prior notice due to products optimization.

Brass Valve

Hose Valve

Fig.1615



Valve Standard

Used with a fire Hose Rack Assembly or as a Fire Dept.outlet connection
FEMALE x MALE

Standard Equipment

Female NPT inlet x male hose thread
Outlet forge brass valve
Red hand wheel.

Working Pressure

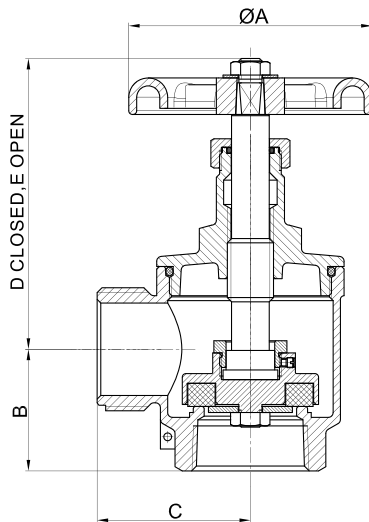
365psi

Thread:

2-1/2" FNPT x MNST
MBCT
MONT
MPHX
MQST
MCLV
MTEM

NYFD:

1-1/2" FNPT x MNST
MNPSH



Materials List

Part	Material	Specification
Body	Brass	ASTM B283 C37700
Seat Seal	EPDM	
Holder	Brass	ASTM B283 C37700
Stem	Brass	ASTM B283 C37700
O-Ring	EPDM	
Handle Wheel	Aluminium Alloy	ZL102
Gland	Brass	ASTM B283 C37700
Bonnet	Brass	ASTM B283 C37700
Set Screw	Stainless Steel	A351 CF8
Washer	Stainless Steel	A351 CF8
Nut	Brass	ASTM B283 C37700

Dimensions(mm/inch)

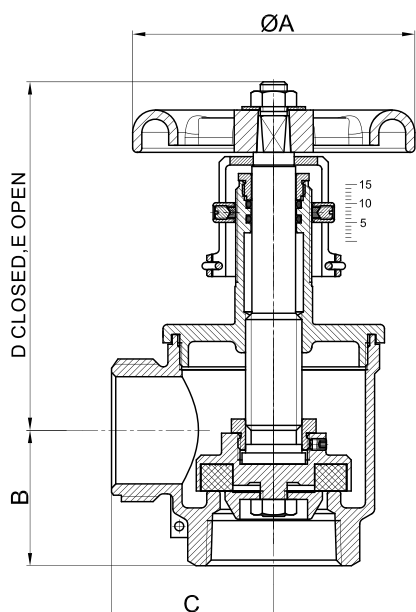
Size	A	B	C	D	E
1½"x1½"	100	50	83	119	145
2½"x2½"	127	68	79	157	200

Note: Subject to change without prior notice due to products optimization.

Brass Valve

Angle Valve

Fig.1620



Valve Standard

Pressure Reducing Device Angle Valve 175 Lb. Rated Adjustable restriction of residual pressure up to 175 Lb. Locking pin device restricts full opening of valve by untrained personnel, pin may be removed by firefighters to allow full opening of valve.

FEMALE x MALE

Standard Equipment

Female NPT inlet x male hose thread outlet forged brass valve Red hand wheel.

Working Pressure

365psi

Optional Finishes

- PB-Polished Brass
- RC-Rough Chrome Plated
- PC-Polished Chrome Plated

Materials List

Part	Material	Specification
Body	Brass	ASTM B283 C37700
Seat Seal	EPDM	
Holder	Brass	ASTM B283 C37700
Stem	Brass	ASTM B283 C37700
Ring	EPDM	
Handle Wheel	Aluminium Alloy	ZL102
Gland	Brass	ASTM B283 C37700
Bonnet	Brass	ASTM B283 C37700
Set Screw	Stainless Steel	A351 CF8
Washer	Stainless Steel	A351 CF8
Nut	Brass	ASTM B283 C37700

Dimensions(mm/inch)

Size	A	B	C	D	E
1½"x1½"	100	48	58	123	145
2½"x2½"	127	67	77	165	206

Note: Subject to change without prior notice due to products optimization.

Brass Valve

Ball Valve

Fig.1640



Valve Standard

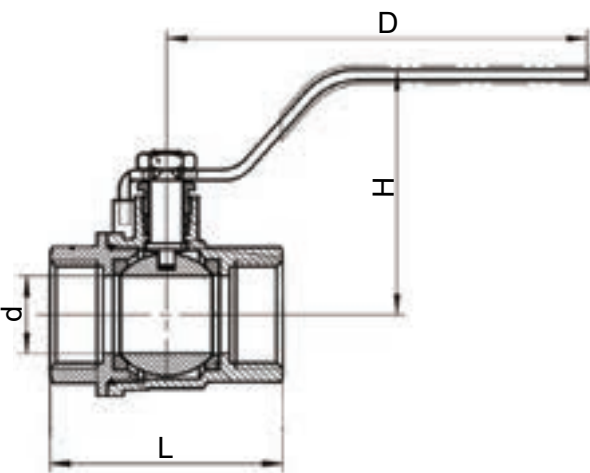
Brass ball valve (Full port)
 IPS Forged brass body
 600WOG (CSA)(1/2PSI 5G)
 (UL/FM)
 NSF/ANSI 61
 Steel handle with plastic handle
 FM Certificated Size:1/2" 3/4" 1" 1-1/4" 1-1/2" 2"
 UL Certificated Size:1/4" 3/8" 1/2" 3/4" 1" 1-1/4" 1-1/2" 2"

Working Pressure

365psi

Materials List

Part	Material	Specification
Body	Brass	ASTM B283 C37700
Seat Retainer	Brass	ASTM B283 C37700
Seat	PTFE	
Ball	Brass	ASTM B283 C37700
Stem	Brass	ASTM B283 C37700
O-Ring	Rubber	
Lever	Stainless Steel	A351 CF8



Dimensions(mm/inch)

Size	mm	6	10	15	20	25	32	40	50	65	80	100
	inch	1/4	3/8	1/2	3/4	1	1-1/4	1-1/2	2	2-1/2	3	4
D		89	89	89	104	117.5	117.5	145	145	232	232	232
H		46	46	51.5	61	63.5	70	94	102	115	126	141
d		Φ10	Φ10	Φ14.5	Φ19.5	Φ24.5	Φ32	Φ40	Φ50	Φ64	Φ79	Φ99
L		44	44	57	63	75.5	86.5	94.2	108	136	160.5	185

Note: Subject to change without prior notice due to products optimization.

Brass Valve

Fire Department Connections

Fig.1650



Features

- The brass seat is integrated with brass body
- 2.5” swivels are pin lug design for easy operation
- Compatible with local fire service requirements
- Breakable plastic plug to prevent debris from being accidentally introduced into the water way

Description

GALA FM Approved and UL listed Fire Department Connections are designed and manufactured in accordance with UL 405 - Standard for Fire Department Connections. We have two models, one is a straight and a 90° type which casted from solid brass alloy to extend its service life.

Optional Accessories



Wall Plates

The wall plates are constructed of corrosion resistant aluminium alloy with marking "AUTO SPKR" and "FIRE DEPT CONNECTION"

Working Pressure

365psi

Installation

The Fire Department Connection is provided with standard taper pipe threads which conforms to ANSI B2.1 and pin lug hose thread swivels for coupling hoses. Prior to installation, Apply pipe joint compound or PTFE tape on male threads, then, tighten it one full turn after tightening with hand, and make sure Connections are aligned accordance to the requirement.



Caps

The breakaway caps are supplied in heavy duty plastic or cast aluminium alloy for the protection of 2½ inlets.

Dimensions(mm/inch)

Size	Type	Working Pressure	Test Pressure	Installation	Swivel thread
4x2.5x2.5	Straight	300 psi	600 psi	4"F.NPT	2-F.NNH(NST)
4x2.5x2.5	90°	300 psi	600 psi	4"F.NPT	2-F.NNH(NST)

Note: Subject to change without prior notice due to products optimization.



International Sales Office

E-Mail: export@galaxyvalves.com

Phone: +39 0237920886